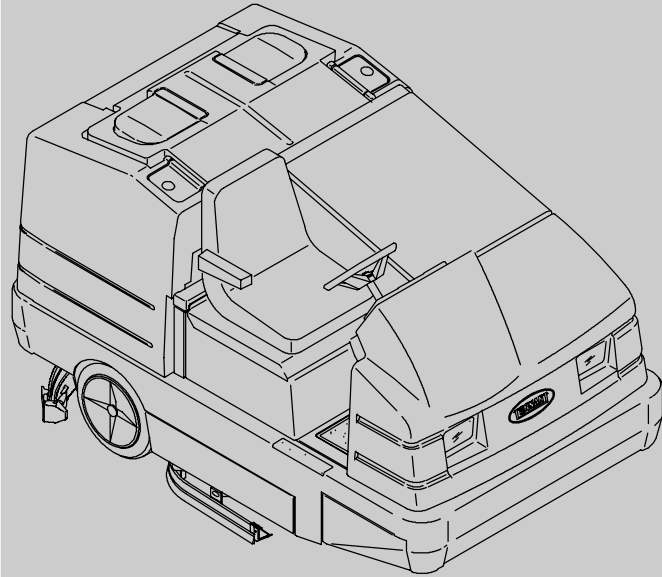
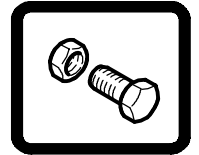




# 7400

(Diesel)

## Rider Scrubber Parts Manual



***FAST***  
Foam Scrubbing Technology<sup>®</sup>  
***The Safe Scrubbing Alternative***<sup>®</sup>

***ES***<sup>®</sup> ***Extended Scrub System***

**North America / International**

[www.tennantco.com](http://www.tennantco.com)

**MM426**  
Rev. 14 (3-2007)



When ordering replacement parts, use the illustrated parts list section in this manual. Before ordering parts or supplies, be sure to have your machine model number and serial number available. Only use TENNANT Company supplied or equivalent parts. Parts and supplies may be ordered online, by phone, or mail from any authorized parts and service center, distributor or from any of the manufacturer's subsidiaries.

This machine will provide excellent service. However, the best results will be obtained at minimum costs if:

- The machine is operated with reasonable care.
- The machine is maintained regularly - per the machine maintenance instructions provided.
- The machine is maintained with manufacturer supplied or equivalent parts.

<b>MACHINE DATA</b>	
Please fill out at time of installation for future reference.	
Model No. -	_____
Serial No. -	_____
Machine Options -	_____
Sales Rep. -	_____
Sales Rep. phone no. -	_____
Customer Number -	_____
Installation Date -	_____

**Tennant Company**  
PO Box 1452  
Minneapolis, MN 55440  
Phone: (800) 553-8033 or (763) 513-2850  
[www.tennantco.com](http://www.tennantco.com)

FaST-PAK is a US registered and unregistered trademark of Tennant Company.

Specifications and parts are subject to change without notice.

Copyright © 1998-2000, 2002-2007 TENNANT Company, Printed in U.S.A.

## HOW TO USE THIS MANUAL

This section on *HOW TO USE THIS MANUAL* will tell you how to:

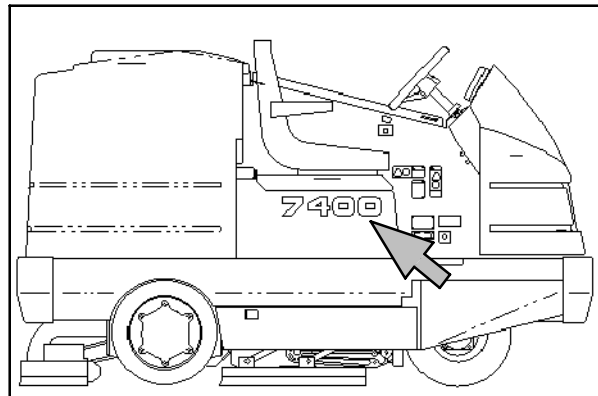
- Find important machine information for ordering correct repair parts.
- Find TENNANT part numbers.
- Order TENNANT parts and supplies.

### IMPORTANT INFORMATION

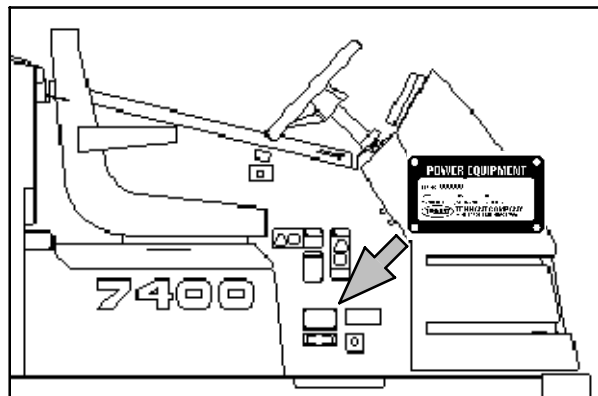
When placing an order for parts, the machine model and machine serial number are important. Refer to the *MACHINE DATA* box which is filled out during the installation of your machine. The *MACHINE DATA* box is located on the inside of the front cover of this manual.

MACHINE DATA	
<i>Please fill out at time of installation for future reference.</i>	
Machine Model Number	-7400D
Machine Serial Number	- _____
Machine Options	- _____
TENNANT Representative phone no.	- _____
Customer ID Number	- _____
Date of Installation	- _____
Manual Number	-MM426
Revision:	00
Published:	1-96

The model number of your machine is on the side of the machine.



The serial number of your machine is printed on the machine data plate located as shown.



# HOW TO USE THIS MANUAL

## FINDING A TENNANT PART NUMBER

This manual contains the following sections:

- HOW TO USE THIS MANUAL
- STANDARD PARTS
- OPTIONS
- BREAKDOWNS
- ENGINE BREAKDOWN
- CROSS REFERENCE

The STANDARD PARTS section lists repair parts for standard machines. They are grouped in this general order:

- General wear parts.
- Machine frame and related parts.
- Machine propelling system.
- Scrubbing components.
- Electrical parts.

The OPTION section lists repair parts of options.

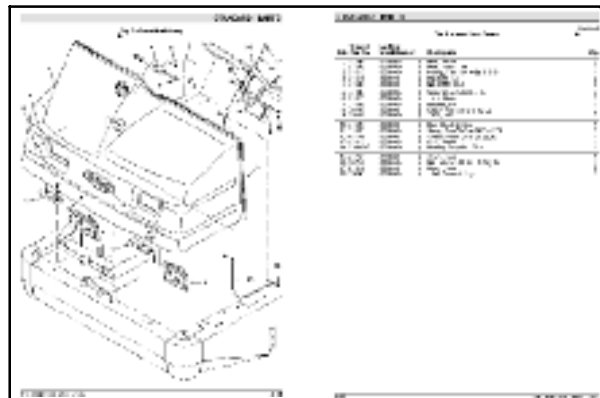
The BREAKDOWN section lists available repair parts of major components.

All sections in this manual consist of parts illustrations and corresponding parts lists.

The parts illustrations are numbered with **Ref** numbers which refer to corresponding parts lists.

The parts lists include a number of columns of information:

- **Ref** - column refers to the reference number on the parts illustration.
- ∇ - indicates the part is an assembly.
- ▲ - indicates the part is included in the assembly listed just before it.
- **Part No.** - column lists the TENNANT part number for the part.
- **Serial Number** - column indicates the set of machines the part number is applicable to. Serial numbers change when the machine design has been modified. The most current design of the machine is shown in the main illustration, older designs are boxed in a corner of the illustration.
- **Description** - column is a brief description of the part.
- **Qty.** - column lists the quantity of that part used in that area of the machine.

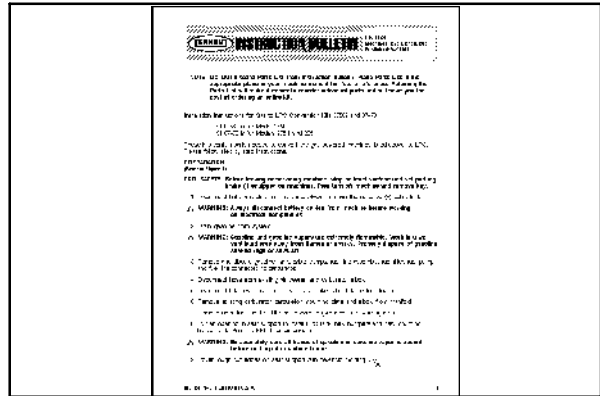


**Fig. 7 - Front Hood Group**

Tennant Ref. Part No.	Machine Serial Number	Description	Qty.
1 71205	(000000-	Hood, Front	1
1 71238	(000000-	Hood, Front, Lpg	1
2 71513	(000000-	Molding, Trim 11-14Ga 116.0	1
3 71554	(000000-	Headlight, 12V	2
4 21530	(000000-	Nut, U MS X 6.8	6
5 24196	(000000-	Screw PanHex 5/16 x .8	6
6 21523	(000000-	Latch, Hood	1
7 21528	(000000-	Bracket, Pin	1
8 08716	(000000-	Screw Hex Ssm 6 X 1.0 20	2
9 69192	(000000-	Latch, Bolt	1
10 21526	(000000-	Rod, Hood Release	1
11 01076	(000000-	Spring, Tens.50Cdx.04Wire 2.5L	1
12 47744	(000000-	Swivel Control .250-.250Ga	1
13 21527	(000000-	Rings, Hood	1
14 63469-3	(000000-	Bearing, Snap-In .38 Id	1
15 71243	(000000-	Cable, Hood	1
16 08712	(000000-	Nut H40cnyln M 5X1.0 Peg Se	1
17 71941	(000000-	Hinge, Hood	2
18 09306	(000000-	Label, Tennant Logo	1

*NOTE: If a service kit is installed on your machine, be sure to keep the INSTRUCTION BULLETIN which came with the kit. It contains repair parts numbers needed for ordering future parts.*

*NOTE: Fasteners used in this machine may be metric or non-metric. Take care when replacing hardware to replace with same thread size.*



## PLACING AN ORDER

Orders may be placed by phone, fax, or by mail. Phone orders may need written confirmation. Follow the steps below to insure prompt delivery:

1. Identify the model number of your machine.
2. Identify the serial number of your machine.
3. Find the part number of the part you need. Do not order by page number or reference number. If you are not able to find the part number, call your TENNANT representative for help or send the old part as a sample.
4. Determine the quantity of the part you need.
5. Provide the following company information:
  - Company name
  - Customer ID Number
  - Shipping address
  - Billing address
  - First and last name of person ordering parts
  - Telephone number
  - Purchase order number
6. Provide definitive shipping instructions.

## HOW TO USE THIS MANUAL

---

Any claim for loss or damage to a shipment in transit should be filed promptly with the transportation company making the delivery. Shipments will be complete unless the packing list or order acknowledgement indicates items back ordered.

If parts received are suspected to be incorrect or defective, please contact the TENNANT representative from whom you ordered the part. They will give authorization for return and/or handle replacement shipments when required.

# SECTION 2

Contents	Page
Fig. 1 - General Recommended Maintenance Items	2-2
Fig. 2 - Replacement Brushes	2-3
Fig. 3 - Mainframe Group	2-4
Fig. 4 - Brush Doors Group	2-6
Fig. 5 - Seat and Shroud Group	2-8
Fig. 6 - Front Hood Group	2-10
Fig. 7 - Engine Side Door Group	2-12
Fig. 8 - Engine Cover Group	2-14
Fig. 9 - Steering Group	2-16
Fig. 10 - Instrument Panel Assembly	2-18
Fig. 11 - Circuit Breaker and Relay Group	2-20
Fig. 12 - Engine and Governor Group (000000-007493)	2-22
Fig. 13 - Engine and Governor Group (007494- )	2-24
Fig. 14 - Engine Mount Group	2-26
Fig. 15 - Engine Air Cleaner Group	2-28
Fig. 16 - Engine Alternator Group	2-30
Fig. 17 - Engine Muffler Group	2-32
Fig. 18 - Engine Fuel Tank Group	2-34
Fig. 19 - Engine Radiator Group	2-36
Fig. 20 - Engine Cooling Fan and Housing Group	2-38
Fig. 21 - Engine Battery Group	2-40
Fig. 22 - Wheel Group, Front Drive	2-42
Fig. 23 - Wheels and Brakes Group, Rear	2-44
Fig. 24 - Brake Pedal Group	2-46
Fig. 25 - Directional Pedal and Linkage Group	2-48
Fig. 26 - Vacuum Fan Group	2-50
Fig. 27 - Solution Control Group	2-52
Fig. 28 - Solution Tank Group	2-54
Fig. 29 - Recovery Tank Group	2-56
Fig. 30 - Solution and Recovery Tank Drain Group	2-58
Fig. 31 - Solution and Recovery Tank Gaskets Group	2-60
Fig. 32 - Hydraulic Schematic (000000-005613)	2-62
Fig. 33 - Hydraulic Schematic (005614- )	2-64
Fig. 34 - Hydraulic Hose Group	2-66
Fig. 35 - Hydraulic Pumps Group	2-68
Fig. 36 - Hydraulic Valve Group	2-70
Fig. 37 - Hydraulic Reservoir Group	2-72
Fig. 38 - Hydraulic Filter and Cooler Group	2-74
Fig. 39 - Electrical Schematic (000000-007548)	2-76
Fig. 40 - Electrical Schematic (007549- )	2-79
Fig. 41 - Electrical Wire Harnesses Group	2-82
Fig. 42 - Scrub Head Lift Group	2-88
Fig. 43 - Scrub Brush Housing Group	2-90

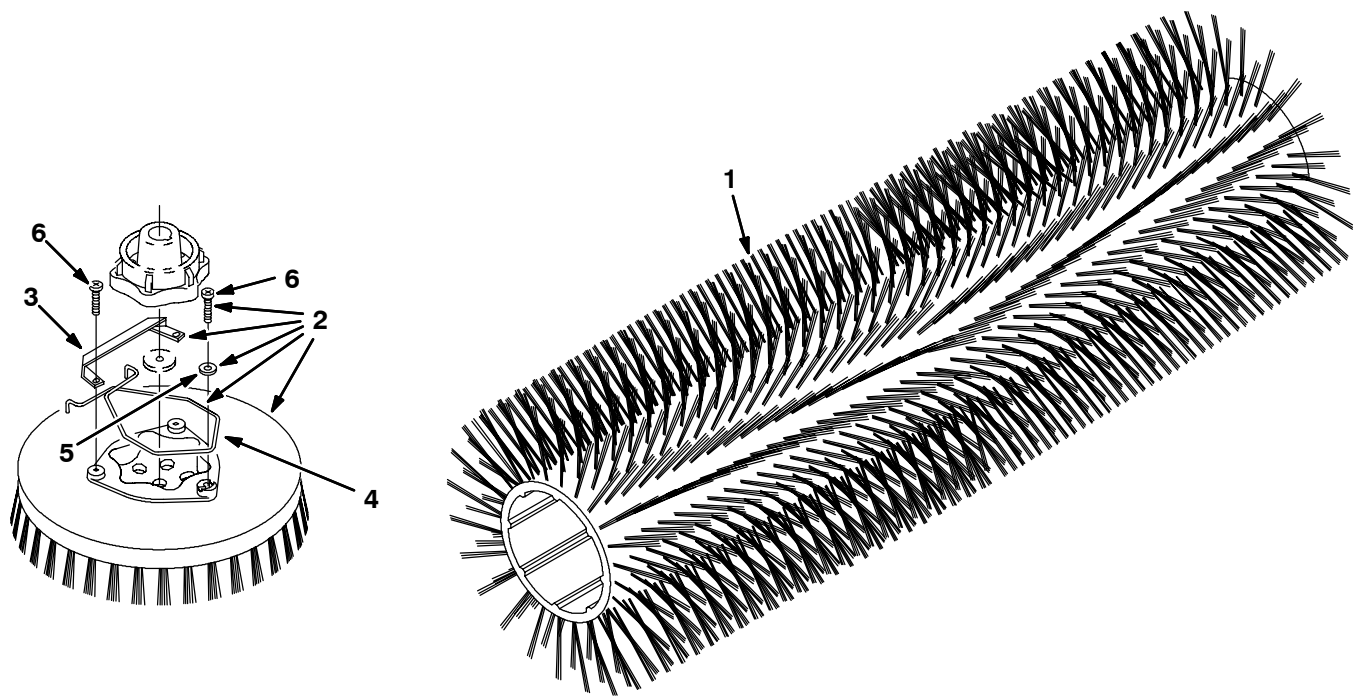
Contents	Page
Fig. 44 - Scrub Brush Drive Motor Group	2-92
Fig. 45 - Scrub Brush Left Side Squeegee Group	2-94
Fig. 46 - Scrub Brush Idler Group	2-96
Fig. 47 - Scrub Brush Right Side Squeegee Group	2-98
Fig. 48 - Scrub Head Debris Tray Frame Group	2-100
Fig. 49 - Scrub Head Debris Tray Trough Group	2-102
Fig. 50 - Rear Squeegee Lift Group	2-104
Fig. 51 - Rear Squeegee Linkage Group	2-106
Fig. 52 - Rear Squeegee Assembly	2-108
Fig. 53 - Rear Squeegee Caster Assembly	2-110
Fig. 54 - FaST Air Pump and Detergent Group	2-112
Fig. 55 - FaST Foam Filter Group	2-114
Fig. 56 - FaST Solution Pump Group	2-116
Fig. 57 - FaST Electrical Group	2-118
Fig. 58 - Label Group	2-122

**Fig. 1 - General Recommended Maintenance Items**

Ref.	Part No.	Serial Number	Description	Qty.
▽	71452	(000000-	) Performance Pkg 400Hr Diesel	1
▲	58120	(000000-	) Filter Element, Air	1
▲	55849	(000000-	) Oil Cartridge	1
▲	1017126	(000000-	) Element, Fltr, Fuel	1
▲	65221	(000000-	) Element, Filter	1
▲	58327	(000000-	) Belt, V, [3v] 41.0l [Hc41]	1
▲	71728	(000000-	) Cap, Breather, Hyd, 7.0 Ds	1
▲	31613	(000000-	) Strainer, Hyd, 25gpm 100mesh Psi	1
	71235	(000000-	) Hose, 3.0 Dia Squeegee	1
	20971	(000000-	) Hose, Vacuum 4.0	1
	71102	(000000-	) Hose, Vacuum, Tray	1
	71255	(000000-	) Blade, Squeegee, Front	2
	71256	(000000-	) Blade, Squeegee, Rear	2
	71839	(000000-	) Squeegee Assy, S Br	2
	12678	(000000-	) Skirt, Side Brush	2
	86859	(000000-	) Squeegee, Side	2
	71200	(000000-	) Skirt, Brush Arm, Rh	2
	10165	(000000-003660	) Wheel, 3 Inch Dia.	2
	20833	(003661-	) Wheel, 3 Inch Dia.	2
	75050	(000000-003660	) Bushing, Spanner - Special 550	2
	64425	(000000-003660	) Washer, .656B 1.25D .06	4
	76943	(000000-003660	) Bolt, Axle W/Zerk	2
	02931	(000000-	) Nut-Hxlocnyln .50-13 Regss18-8	2
	21614	(000000-	) Bumper Kit, Squeegee	2
	58114	(000000-	) Fan, Repair Kit, Reassembly	1
	1021878	(007549-	) Detergent Pkg, 4 Liter, Sgl [Tco 665]	1



Fig. 2 - Replacement Brushes



10784 - ALL

Ref.	Part No.	Serial Number	Description	Qty.	
1	71170	(000000-	) Brush, Scb, Polypropylene	2	
1	71612	(000000-	) Brush, Scb, Super Abrasive	2	
1	71171	(000000-	) Brush, Scb, Soft Nylon	2	
▽	2	05725	(000000-	) Brush Assy, Scb, H. D. Polypropylene	1
▲	3	24299	(000000-	) Bracket Spring Retainer	1
▲	4	14838	(000000-	) Spring, Brush Retaining	1
▲	5	01684	(000000-	) Washer, Flat, 0.25 Ss	1
▲	6	32746	(000000-	) Screw, Pan, M6 X 1.0 X 35, Ss	3
▲	7	15539	(000000-	) Hub, Drive, Brush, Disk, 3hole 5.8bc[6t]	1
▽	2	05726	(000000-	) Brush Assy, Scb, Super Abrasive	1
▲	3	24299	(000000-	) Bracket Spring Retainer	1
▲	4	14838	(000000-	) Spring, Brush Retaining	1
▲	5	01684	(000000-	) Washer, Flat, 0.25 Ss	1
▲	6	32746	(000000-	) Screw, Pan, M6 X 1.0 X 35, Ss	3
▲	7	15539	(000000-	) Hub, Drive, Brush, Disk, 3hole 5.8bc[6t]	1
▽	2	05724	(000000-	) Brush Assy, Scb, Soft Nylon	1
▲	3	24299	(000000-	) Bracket Spring Retainer	1
▲	4	14838	(000000-	) Spring, Brush Retaining	1
▲	5	01684	(000000-	) Washer, Flat, 0.25 Ss	1
▲	6	32746	(000000-	) Screw, Pan, M6 X 1.0 X 35, Ss	3
▲	7	15539	(000000-	) Hub, Drive, Brush, Disk, 3hole 5.8bc[6t]	1

Note: Scrub Brushes Must Be Matched With Proper Hydraulic Cartridge.

Fig. 3 - Main Frame Group

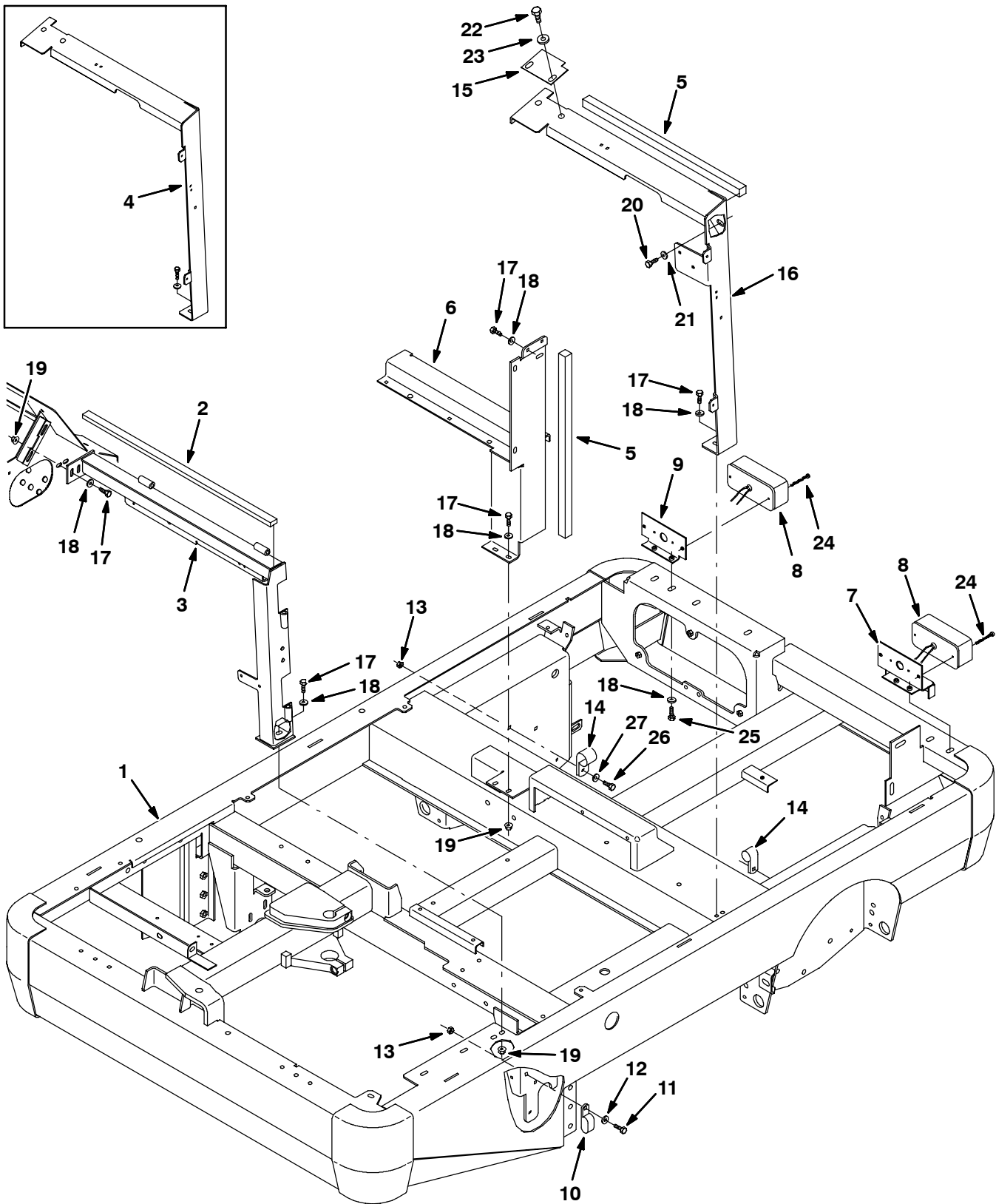


Fig. 3 - Main Frame Group

Ref.	Part No.	Serial Number	Description	Qty.	
1	71289	(000000-	) Frame Wldt, Main	1	
2	20789	(000000-	) Insulation, S/Foam	1	
3	71926	(000000-	) Lintel Wldt, Hood	1	
4	25820	(000000-007743	) Lintel Wldt W/Label	1	
5	20805	(000000-	) Insulation, S/Foam	2	
6	71961	(000000-	) Lintel Wldt, Rear, Rh	1	
7	20935	(000000-	) Bracket, Mounting	1	
▽	8	71606	(000000-	) Taillight Assy	2
▲		45780	(000000-	) Bulb, 12V .5A 4Cp #1157	1
9	20936	(000000-	) Bracket, Mtg	1	
10	53466	(000000-	) Clamp, Cable, Stl, 1.50 X 1.00W, 1H	1	
11	09740	(000000-	) Scr Hexssm 8X1.25	1	
12	01685	(000000-	) Washer Flt .31 Ss	1	
13	08713	(000000-	) Nut-Hxlocnyln M 8X1.25 Reg Ss	1	
14	53466	(000000-	) Clamp-Cable 1.50D 1.00W	2	
15	71886	(000000-	) Plate, Filler	1	
16	377448	(007744-	) Lintel Wldt, W/ Label [7400]	1	
17	39277	(000000-	) Screw, Hex, M8 X 1.25 X 25	11	
18	32491	(000000-	) Washer, Flat, 0.31 Std	15	
19	07791	(000000-	) Nut, Hex, Flng, M8 X 1.25	9	
20	12273	(000000-	) Screw, Hex, M8 X 1.25 X 20, Ss, NI	2	
21	13248	(000000-	) Washer, Flat, 0.40b 1.12d .12, Stl, PI	2	
22	41345	(000000-	) Screw, Hex, M12 X 1.75 X 25, 8.8	2	
23	32486	(000000-	) Washer, Flat, 0.50 Sae	2	
24	54093	(000000-	) Screw, Chz, M5 X 0.8 X 60, 4.8	4	
25	16931	(000000-	) Screw, Hex, M8 X 1.25 X 20, 8.8	4	
26	09010	(000000-	) Screw, Hex, M8 X 1.25 X 25, Ss	2	
27	32485	(000000-	) Washer, Flat, 0.38 Sae	2	

Fig. 4 - Main Frame Brush Doors Group

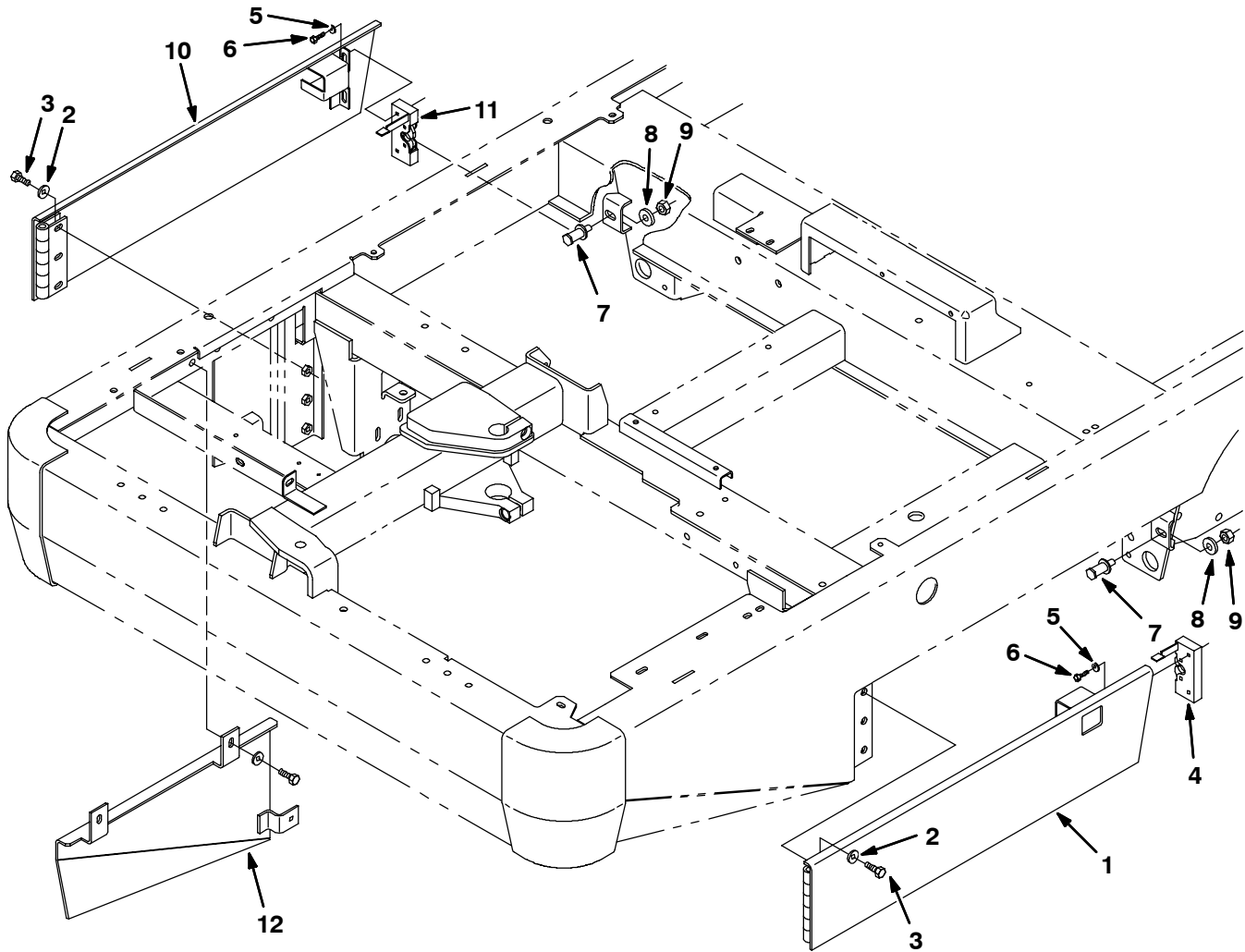


Fig. 4 - Main Frame Brush Doors Group

Ref.	Part No.	Serial Number	Description	Qty.
1	71322	(000000-	) Door Wldt, Brush, Lh	1
2	01686	(000000-	) Washer Flt .38 Ss	9
3	09028	(000000-	) Scr Hexssm 10X1.5 25	9
4	59195	(000000-	) Latch, Hook, Rh	1
5	01684	(000000-	) Washer Flt .25 Ss	4
6	09007	(000000-	) Scr Hexssm 6X1.0 25	4
7	59192	(000000-	) Latch, Bolt	2
8	41619	(000000-	) Washer Flt .50 Ss	2
9	07788	(000000-	) Nut Hx Std Ss M12X1.75	2
10	71330	(000000-	) Door Wldt, Brush, Rh	1
11	59194	(000000-	) Latch, Hook, Lh	1
12	20791	(000000-	) Panel Wldt, Filler	1

Fig. 5 - Seat and Shroud Group

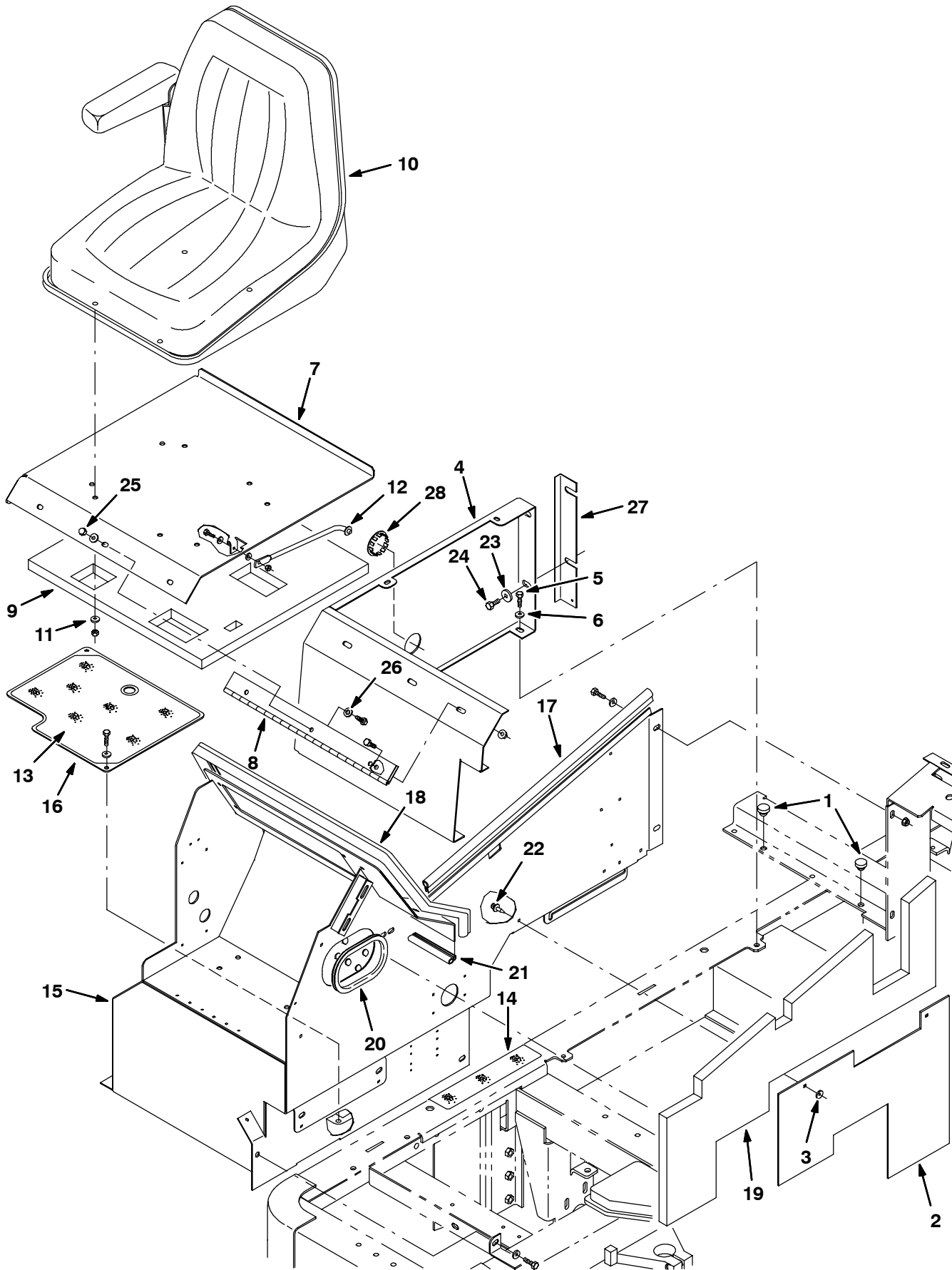


Fig. 5 - Seat and Shroud Group

Ref.	Part No.	Serial Number	Description	Qty.
1	71891	(000000-	) Bumper, Rubber	2
2	71487	(000000-	) Skirt, Center	1
3	41178	(000000-	) Washer-Flt .25 Fender Pltd	2
4	71962	(000000-	) Panel, Seat, Rh	1
5	09010	(000000-	) Scr Hexssm 8X1.25 25	3
6	01685	(000000-	) Washer Flt .31 Ss	3
7	71963	(000000-	) Panel, Seat, Top	1
8	75272	(000000-	) Hinge, Seat	1
9	71787	(000000-	) Insulation, Acoustic, Seat	1
▽	10 77235	(000000-	) Seat, Michigan	1
▲	369810	(000000-	) Kit, Replacement, Armrest	1
▲	388134	(000000-	) Armrest, Molded	1
11	41186	(000000-	) Washer-Belleville .31 Pltd	4
12	54615	(000000-	) Rod, Seat	1
13	71790	(000000-	) Tread, Floor, 14.2 11.7	1
14	58819	(000000-	) Tread, Floor, 11.6 3.0	1
15	25794	(000000-007548)	) Panel Assy, Instr W/Label	1
15	9000356	(007549-	) Panel, Instmt, W/ Label [7400 Gm1.6]	1
16	71980	(000000-	) Plate, Floor	1
17	21638	(000000-	) Seal, Bulb, Sd-0168 28.44 Lg	1
18	25678	(000000-	) Seal, Bulb, Sd-0504 68.75Lg	1
19	20788	(000000-	) Insulation, S/Foam	1
20	87742	(000000-	) Molding, Trim 11-14Ga 20.0	1
21	20813	(000000-	) Seal, Bulb	1
22	72970	(000000-	) Rivet, Plastic .250Dx.898	2
23	13248	(000000-	) Washer, .400B 1.12D .12Cr Znc	2
24	12273	(000000-	) Scr-Hexss M8X 1.25 20 Nylonloc	2
25	41128	(000000-	) Nut-Low Crown .31-18 Pltd	3
26	32984	(000000-	) Washer-Loc Int .31 Pltd	3
27	369891	(000000-	) Angle, Trim	1
28	47178-6	(007549-	) Button, Plug, 2.00h .04-.19 [Chm Stl]	1

Fig. 6 - Main Frame Front Hood Group

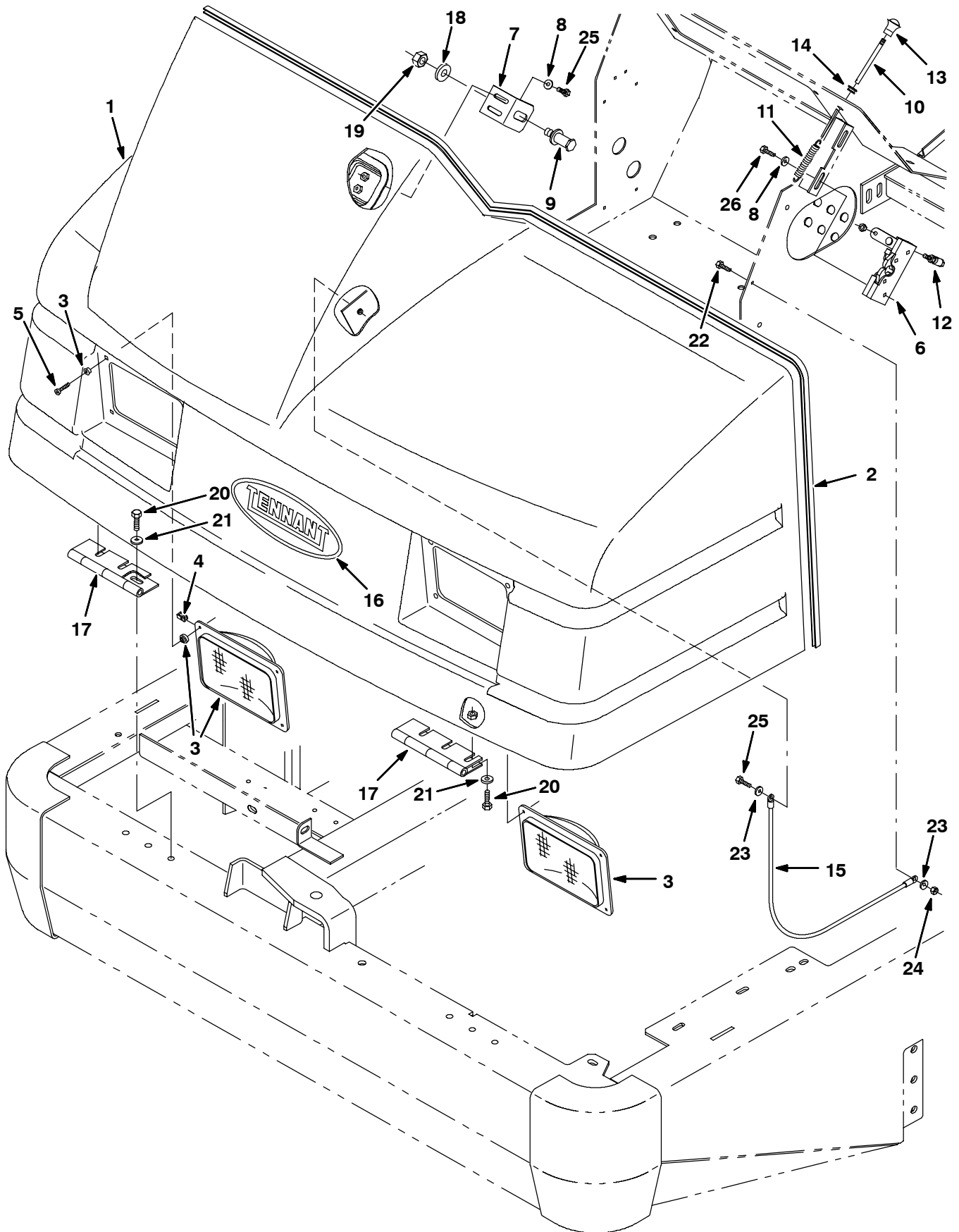




Fig. 6 - Main Frame Front Hood Group

Ref.	Part No.	Serial Number	Description	Qty.
1	71205	(000000-	) Hood, Front	1
1	71238	(000000-	) Hood, Front, Lpg	1
2	71613	(000000-	) Molding, Trim 11-14Ga 116.0	1
3	58524	(000000-	) Headlight, 12vdc, 50watt . A	2
4	21630	(000000-	) Nut, U M5 X 0.8	8
5	24196	(000000-	) Screw Panssm 5X0.8 20	8
6	21623	(000000-	) Latch, Hook	1
7	21628	(000000-	) Bracket, Pin	1
8	32490	(000000-	) Washer, Flat, 0.25, Std	4
9	59192	(000000-	) Latch, Bolt	1
10	21626	(000000-	) Rod, Hood Release	1
11	01076	(000000-	) Spring, Tens.50Odx.04Wire 2.5L	1
12	47744	(000000-	) Swivel Control .250-28.25Dia	1
13	21627	(000000-	) Knob, Hood	1
14	63469-3	(000000-	) Bearing, Snap-In .38 Id	1
15	71243	(000000-	) Cable, Hood	1
16	09806	(000000-	) Label, Tennant Logo	1
17	71941	(000000-	) Hinge, Hood	2
18	41619	(000000-	) Washer, Flat, 0.56b 1.38d .11, Ss	1
19	07788	(000000-	) Nut, Hex, Std, M12 X 1.75, Ss	1
20	39277	(000000-	) Screw, Hex, M8 X 1.25 X 25, 8.8	12
21	32491	(000000-	) Washer, Flat, 0.31, Std	12
22	06943	(000000-	) Screw, Hex, M6 X 1.0 X 20, 8.8	1
23	32490	(000000-	) Washer, Flat, 0.25, Std	2
24	08708	(000000-	) Nut, Hex, Lock, M6 X 1.00, NI	1
25	12274	(000000-	) Screw, Hex, M6 X 1.0 X 20, 8.8, NI	6
26	06944	(000000-	) Screw, Hex, M6 X 1.0 X 25, 8.8	2

Fig. 7 - Main Frame Engine Side Door Group

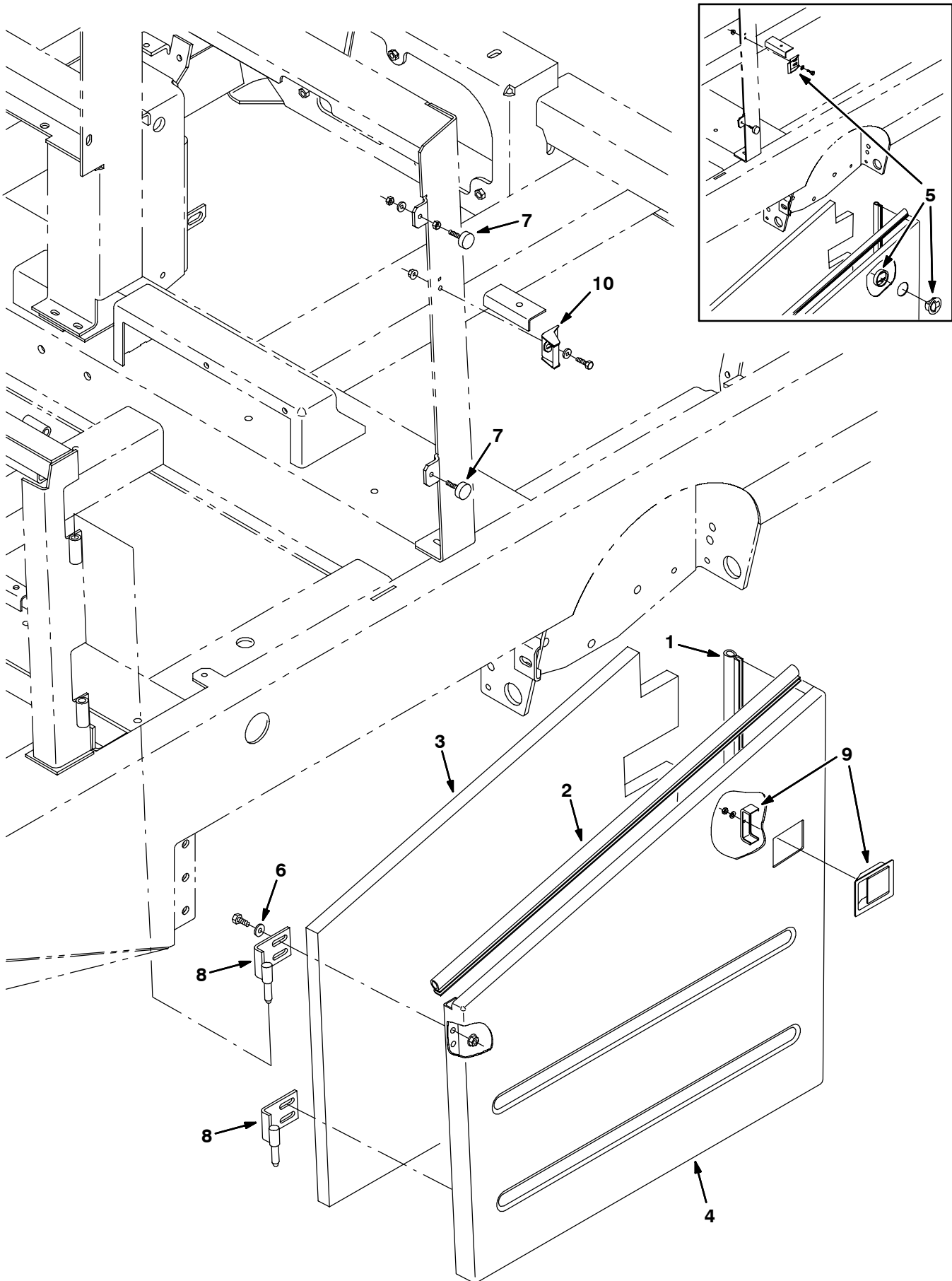


Fig. 7 - Main Frame Engine Side Door Group

Ref.	Part No.	Serial Number	Description	Qty.
1	25673	(000000-	) Seal, Bulb, Sd-0168 27.75 Lg	1
2	391803	(000000-	) Seal, Bulb, Sd-0504 32.50Lg	1
3	20784	(000000-	) Insulation, S/Foam	1
4	71927	(000000-	) Door, Side, Engine	1
5	20812	(000000-003113	) Latch Kit, Door, Engine	1
6	41186	(000000-	) Washer-Belleville .31 Pltd	4
7	20802	(000000-	) Bumper, Rubber	2
8	71931	(000000-	) Bracket Wldt, Hinge	2
9	20822	(003114-	) Latch, Door	1
10	20820	(003114-	) Bracket, Latch	1

Fig. 8 - Main Frame Engine Cover Group

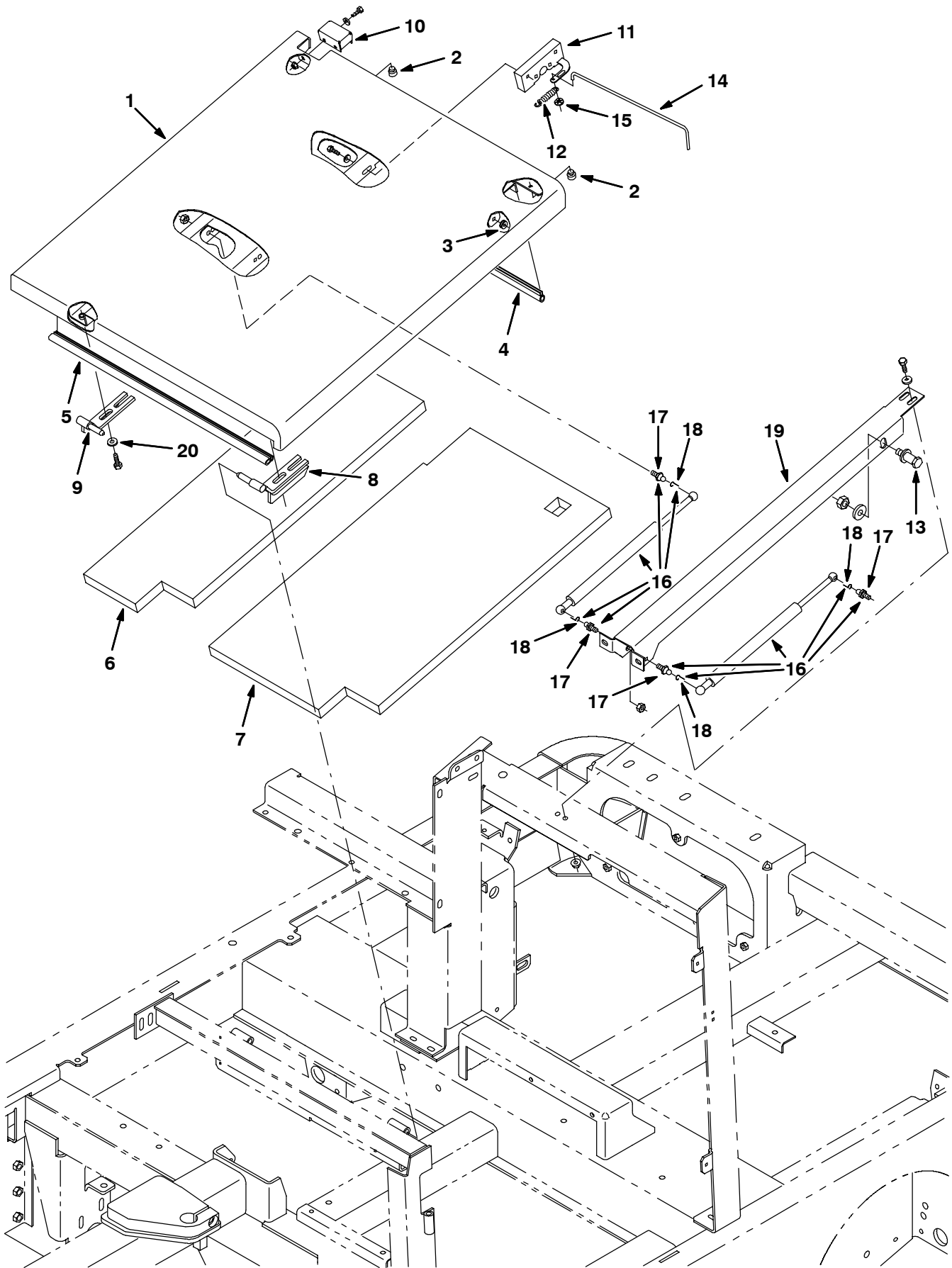


Fig. 8 - Main Frame Engine Cover Group

Ref.	Part No.	Serial Number	Description	Qty.
1	20809	(000000-	) Cover Assy, Engine Top	1
2	51787	(000000-	) Bumper, Rubber	2
3	10632-5	(000000-	) Grommet Rbr 0.25Id For .09Matl	1
4	21631	(000000-	) Seal, Bulb, Sd-0168 29.25Lg	1
5	25677	(000000-	) Seal-Bulb, Sd-0504 24.50Lg	1
6	20782	(000000-	) Insulation, S/Foam	1
7	20785	(000000-	) Insulation, S/Foam	1
8	71939	(000000-	) Bracket Wldt, Hinge, Lh	1
9	71929	(000000-	) Bracket Wldt, Hinge, Rh	1
10	71934	(000000-	) Cover, Filler Pocket	1
11	59514	(000000-	) Latch	1
12	53091	(000000-	) Sprng,Tens,0.50Odx.05Wire 1.0L	1
13	59192	(000000-	) Latch, Bolt	1
14	71898	(000000-	) Rod, Latch, Engine Cover	1
15	21625	(000000-	) Clip, Push On .187 Dia	1
▽	16	69906	(000000-) Spring-Gas Assy, Engine Cover	2
▲	17	58494	(000000-) Stud, Ball, Gas Spring	4
▲	18	64595	(000000-) Clip Safety	4
	19	71328	(000000-) Channel, Stiffener, Lintel	1
	20	41186	(000000-) Washer-Belleville .31 Pltd	4

Fig. 9 - Steering Group

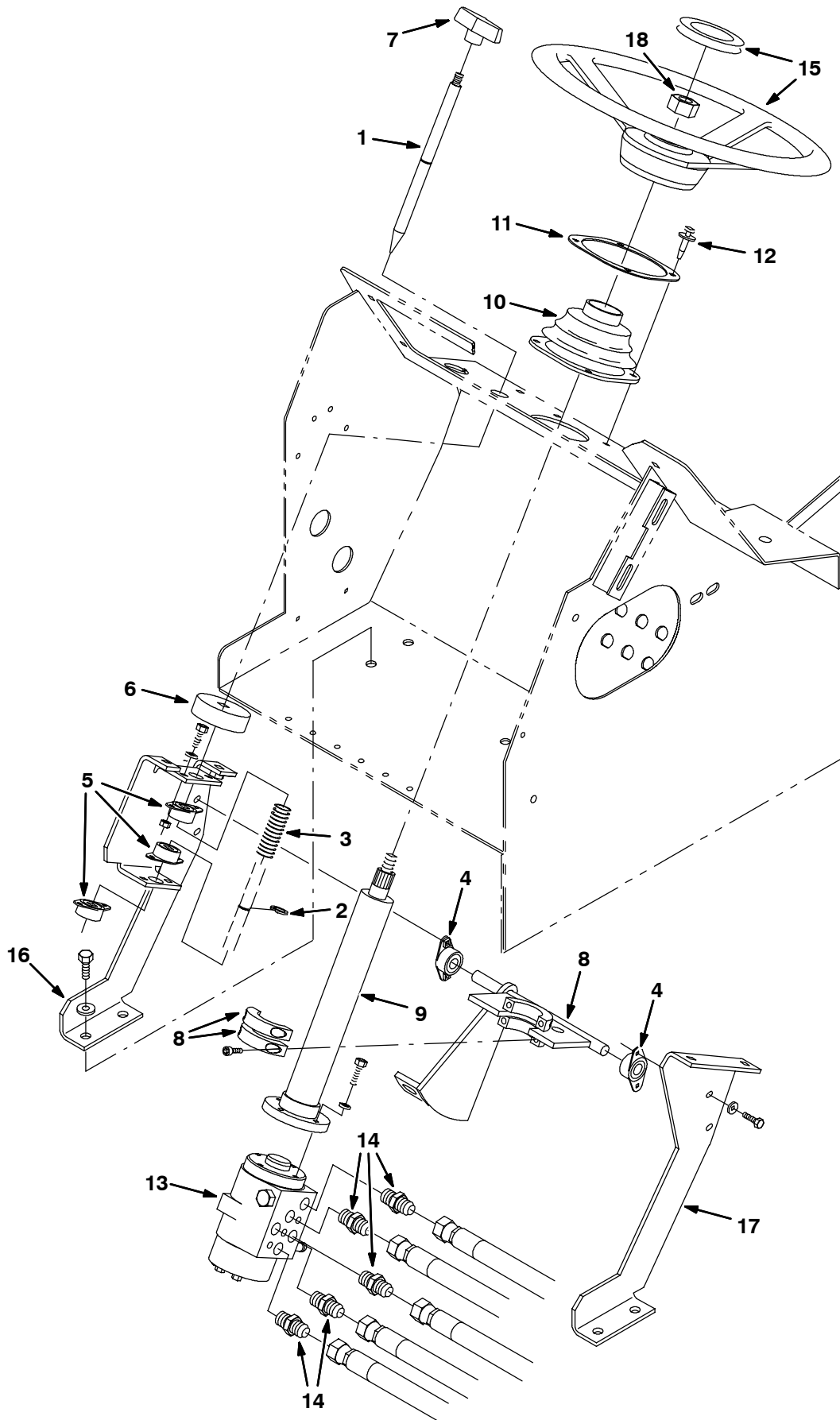


Fig. 9 - Steering Group

Ref.	Part No.	Serial Number	Description	Qty.
1	64651	(000000-	) Rod, Latch, Steering, Tilt	1
2	70717	(000000-	) Ring, Retain, Ex0.50Od,Heavydt	1
3	22290	(000000-	) Sprng,Comp,0.62Idx.06Wire 2.3L	1
4	70709	(000000-	) Bearing, Flange .500B	2
5	47585	(000000-	) Bearing-Flange,2 Hole 0.50Bore	3
6	75968	(000000-	) Seal, Bearing	1
7	04706	(000000-	) Handle Lift Brush	1
8	73027	(000000-	) Bracket Wldt, Steering, Tilt	1
9	73061	(000000-	) Column, Steering #2 10Lg Wire	1
10	70622	(000000-	) Seal, Boot, Steering Column	1
11	70623	(000000-	) Plate, Mount, Steering Boot	1
12	72970	(000000-	) Rivet, Plastic .250D X .898	4
13	71713	(000000-	) Steer Control, Hyd (See Breakdowns)	1
14	56690	(000000-	) Ftg-Hyd Str Jm06/Om06	5
15	56398	(000000-	) Wheel Steering 14DiAx36T	1
16	71172	(000000-	) Panel, Tilt, Rh	1
17	71173	(000000-	) Panel, Tilt, Lh	1
18	56185	(000000-	) Nut-Hx Jam M20 X 1.5 4 Pltd	1

Fig. 10 - Electrical Instrument Panel Assembly

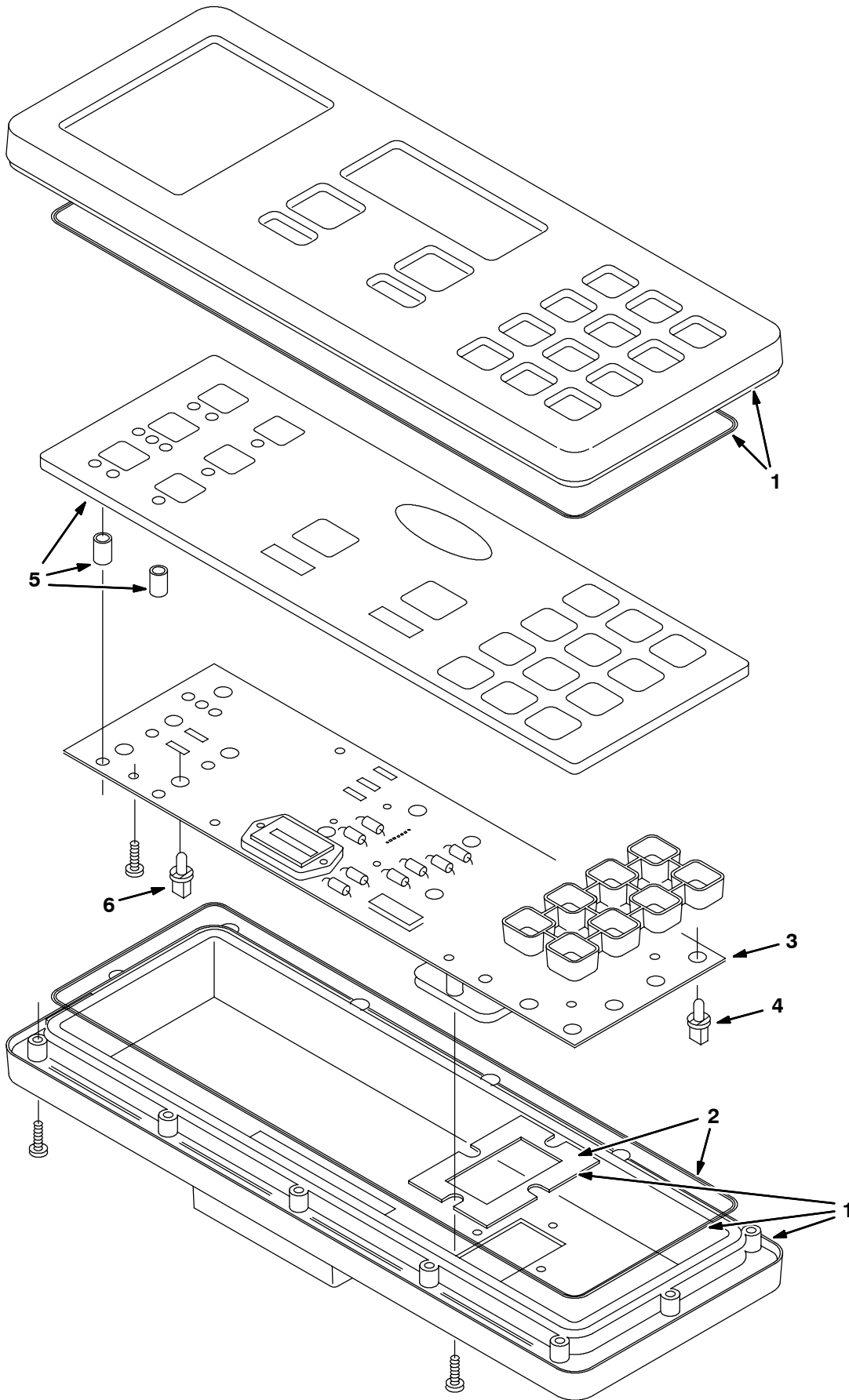




Fig. 10 - Electrical Instrument Panel Assembly

	Ref.	Part No.	Serial Number	Description	Qty.
▽		9003613	(000000-	) Replm Kit, Instr.Panel	1
▲	1	59976	(000000-	) Replmt Kit, Case	1
▲	2	59977	(000000-	) Replmt Kit, Seal,	1
▲	3	71594	(000000-	) Replm Kit, Cir Board	1
▲	4	56346	(000000-	) Replmt Kit, Lamp, Fault (8)	1
▲	5	9003612	(000000-	) Replm Kit, Touch Panel	1
▲	6	59971	(000000-	) Replmt Kit, Lamp, Backlighting (8)	2

Fig. 11 - Electrical Circuit Breaker and Relay Group

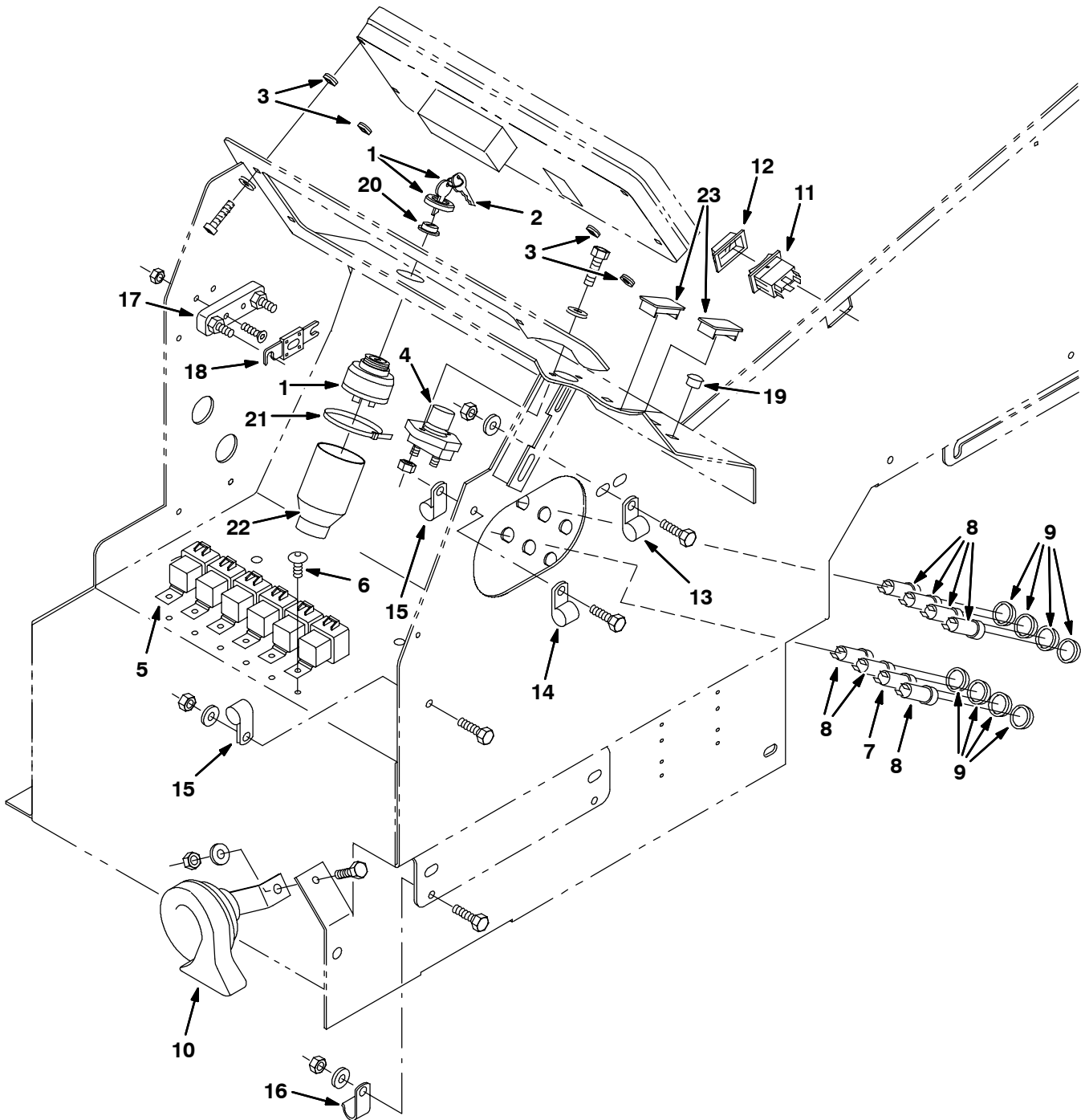


Fig. 11 - Electrical Circuit Breaker and Relay Group

Ref.	Part No.	Serial Number	Description	Qty.
▽	1	87536	(000000- ) Switch, Ign [Ku]	1
▲	2	87866	(000000- ) Key Set, Switch	1
	3	10632-5	(000000- ) Grommet Rbr 0.25Id For .09Matl	4
	4	44078	(000000- ) Switch, Pushmom, Spst100A 12V	1
	5	56186	(000000- ) Relay, Shrouded, 12 Vdc	6
	6	72970	(000000- ) Rivet, Plastic .250Dx.898	6
	7	27920	(000000-007548 ) Breaker-Circuit, 5A Resetable	1
	7	57803	(007549- ) Circuitbreaker, 15.0a, Resetable	1
	8	57803	(000000- ) Breaker-Circuit, 15A Resetable	7
	9	57751	(000000- ) Boot, Circuit Breaker	8
	10	369704	(000000- ) Horn, 12 Volt	1
	11	71665	(000000- ) Switch, Progressive	1
	12	57807	(000000- ) Cover, Rocker Switch Seal	1
	13	67767	(000000- ) Clamp-Cable, .69Dia. .62Wth	1
	14	40678	(000000- ) Clamp, Cable .44D .62Wide	1
	15	69234	(000000- ) Clamp-Cable, 1.00Dia. .62Wth	2
	16	30407	(000000- ) Clip, Keeper, Open	2
	17	86381	(000000- ) Block, Fuse	1
	18	87319	(000000- ) Fuse, 40 Amp	1
	19	02431	(000000- ) Plugbtn .56H .03-.12 Blacknyl	1
	20	382516	(000000- ) Boot, Switch	1
	21	49263	(000000- ) Tie, Cable, Nyl, 11.4l .19w 3.0 Max D	1
	22	383165	(000000- ) Boot, Switch, Ignition	1
	23	762521	(007549- ) Plug, Panl, Switch	2

**Fig. 12 - Engine and Governor Group (000000-007493)**

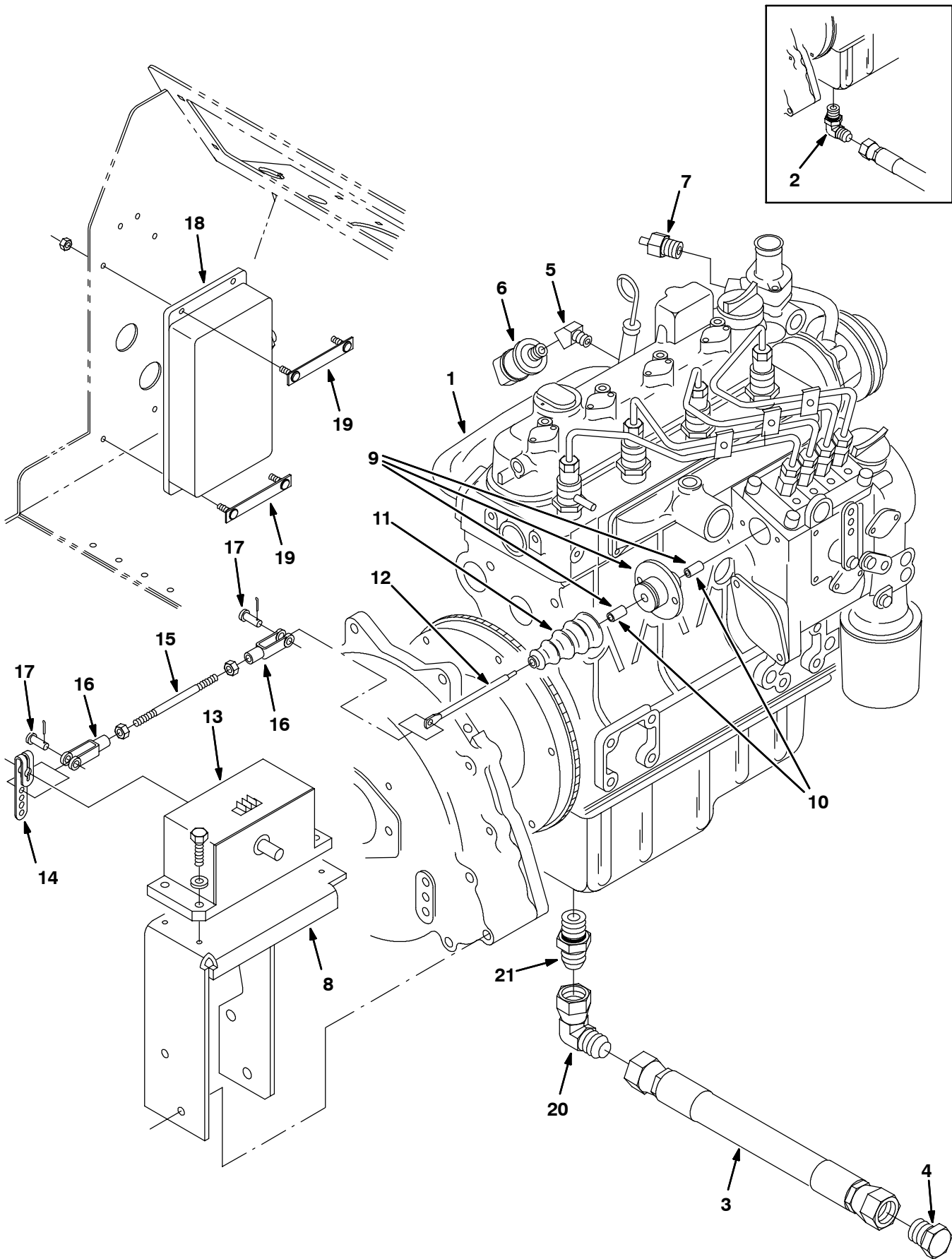


Fig. 12 - Engine and Governor Group (000000-007493)

Ref.	Part No.	Serial Number	Description	Qty.	
1	84625	(000000-007493 )	Engine Assy (See Engine Breakdowns)	1	
2	59884	(000000-007274 )	Fitting, Hyd, E90, Spcl	1	
3	57568	(000000-007493 )	Hose-Hyd Low12 Jf/Jf	1	
4	59885	(000000-007493 )	Fitting, Hyd Plg	1	
5	24976	(000000-007493 )	Ftg-Brs E45 Pm02/Pf02	1	
6	79399	(000000-007493 )	Switch, Pressure Oil	1	
7	36165	(000000-007493 )	Send Unit, Temperature	1	
8	59640	(000000-007493 )	Bracket, Mounting, Actuator	1	
▽	9	58391	(000000-007493 )	Throttle Assy, Block, Die	1
▲	10	64939	(000000-007493 )	Bearing, Bronze	2
11	391815	(000000-007493 )	Boot, Rubber	1	
12	58362	(000000-007493 )	Rod, Cntrl, Throttle, .25D Dsl	1	
13	9001201	(000000-007493 )	Kit, Ci, Actuator, Govnr, Dsl	1	
	374506	(000000-007493 )	Bearing, Sf1 Actuator	2	
14	30481	(000000-007493 )	Lever Governor Actuator	1	
15	04140	(000000-007493 )	Stud, .25-28 3.0L .25-28 Znc	1	
16	14595-1	(000000-007493 )	Clevis,Adjust.0.25-28Th.Cad.	2	
17	14605	(000000-007493 )	Pin,Clevis,0.25 Dia.X 0.75 Lg	2	
▽	18	56237	(000000-005818 )	Control Box, Governor, Die (Replaced by 374127)	1
▲		374625	(000000-005818 )	Plug, Control Box	2
18	374127	(005819-007493 )	Kit, Replmt, Control, Govnr, [All Purps]	1	
19	59935	(000000-007493 )	Plate, Governor	2	
20	35033	(007275-007493 )	Fitting, Hyd, E90, Jf12/Jm12	1	
21	1015631	(007275-007493 )	Fitting, Hyd, Str, Spcl	1	

Fig. 13 - Engine and Governor Group (007494- )

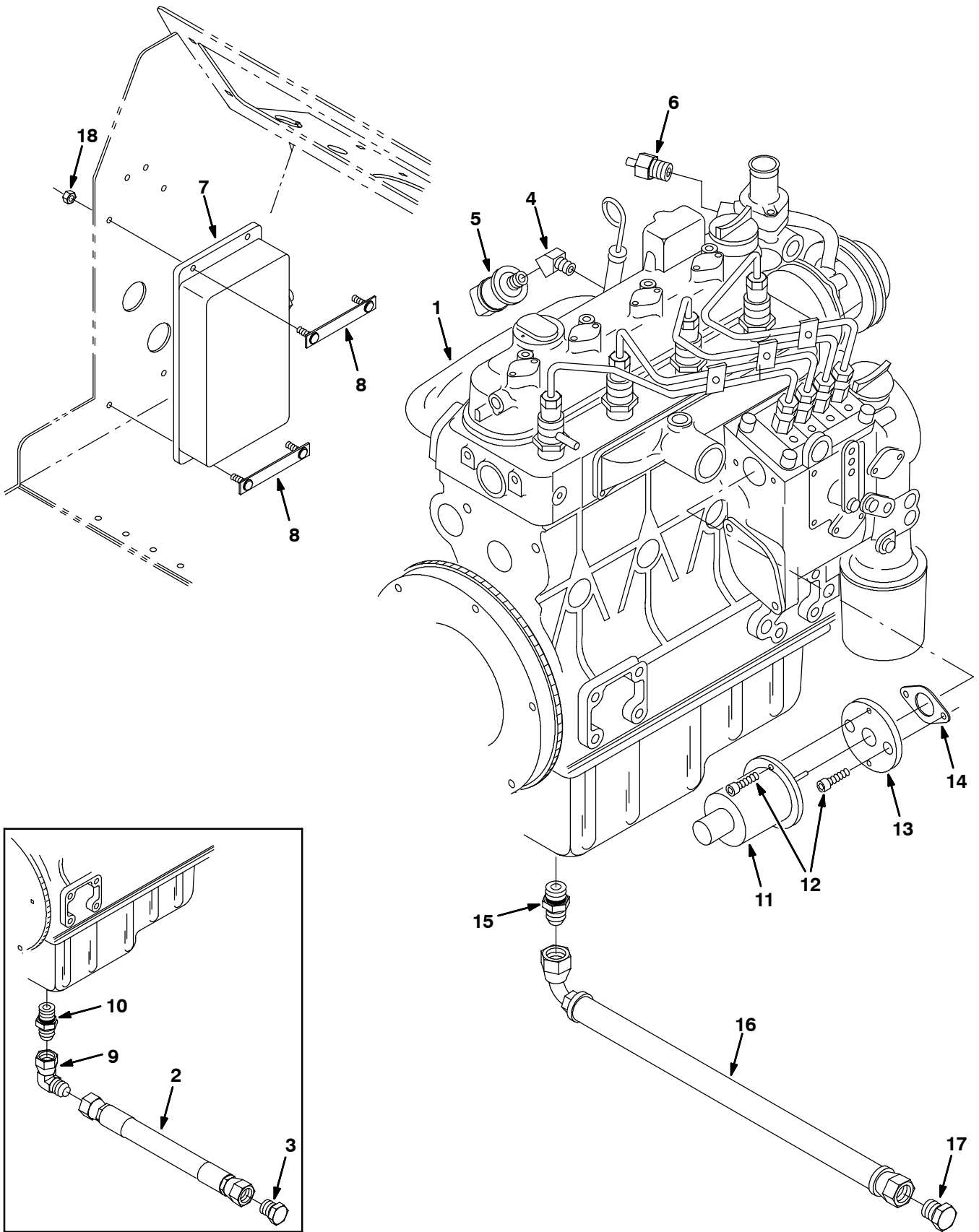


Fig. 12 - Engine and Governor Group (007494- )

Ref.	Part No.	Serial Number	Description	Qty.
1	84625	(007494- )	Engine Assy (See Engine Breakdowns)	1
2	57568	(007494-007718 )	Hose-Hyd Low12 Jf/Jf	1
3	59885	(007494-007718 )	Fitting, Hyd Plg	1
4	24976	(007494- )	Ftg-Brs E45 Pm02/Pf02	1
5	79399	(007494- )	Switch, Pressure Oil	1
6	36165	(007494- )	Send Unit, Temperature	1
7	374127	(007494- )	Kit, Replmt, Control, Govnr, [All Purps]	1
8	59935	(007494- )	Plate, Governor	2
9	35033	(007494-007718 )	Fitting, Hyd, E90, Jf12/Jm12	1
10	9001444	(007494-007718 )	Drain Kit, Oil, Eng, Ci [7400 Kubota]	1
11	71385	(007494- )	Actuator, Govnr, Dsl	1
12	71388	(007494- )	Screw, Soc, M6 X 1.0 X 16, 12.9	4
13	393401	(007494- )	Adapter, Actuator, Govnr, Eng, Dsl	1
14	70165	(007494- )	Gasket, Solenoid, Throttle [Ku] 16299	1
15	1023363	(007719- )	Fitting, Hyd, Str, Spcl	1
16	78811	(007719- )	Hose, Hyd,Low08, Jf08str /Jf08e90 , 19.0	1
17	16376	(007719- )	Fitting, Hyd, Plug, Jm08	1
18	06549	(000000- )	Nut, Hex, Lock, M5 X 0.8, NI	4

Fig. 14 - Engine Mount Group

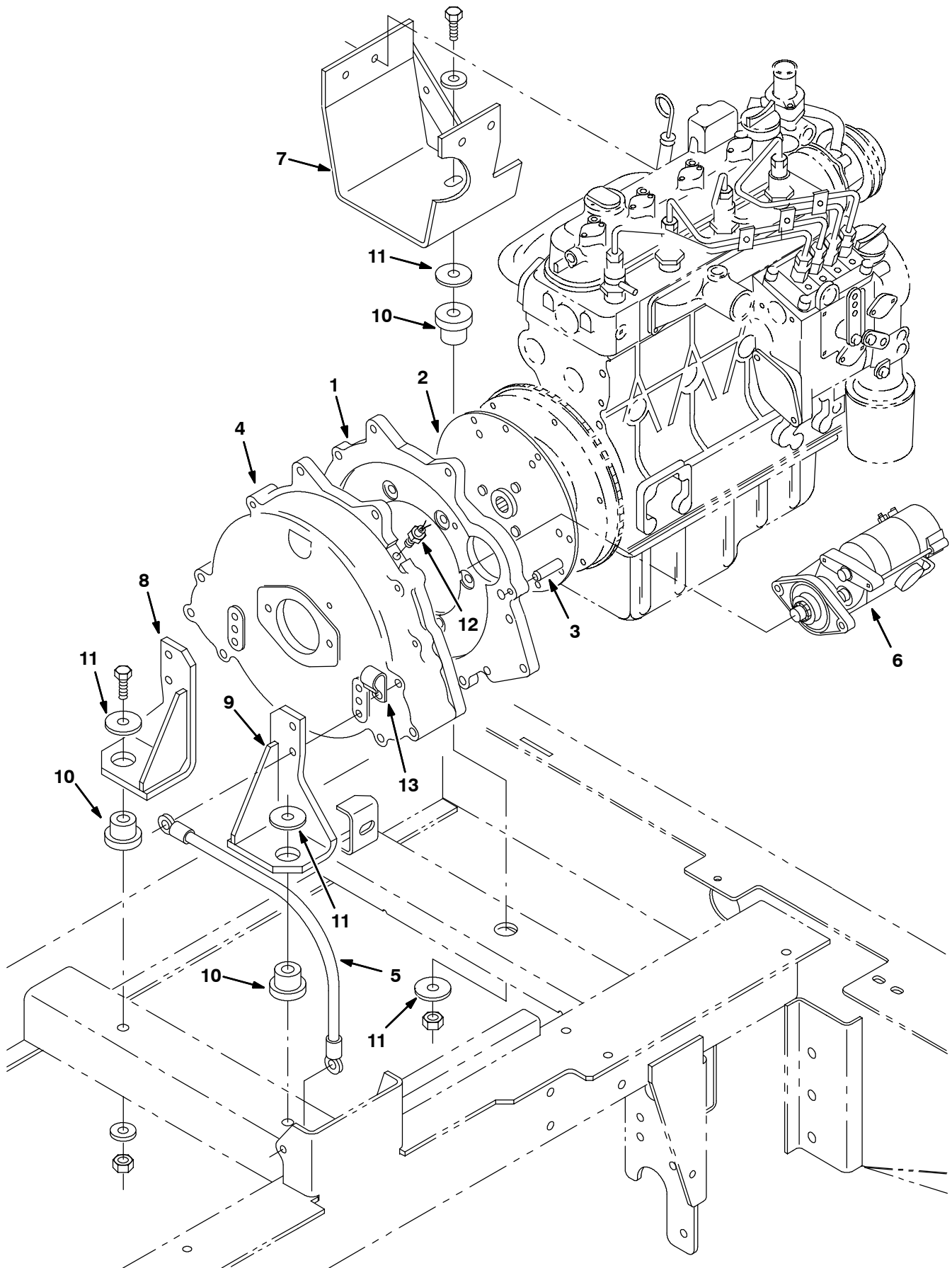




Fig. 14 - Engine Mount Group

Ref.	Part No.	Serial Number	Description	Qty.
1	55837	(000000-	) Adaptor, Flywheel Hsg	1
2	19252	(000000-	) Coupling Assy, Flywheel	1
3	54911-16	(000000-	) Dowel, Cyl. Block To Flywhl. Hsg.	2
4	58566	(000000-	) Housing, Flywheel	1
5	57773	(000000-	) Wire Ass'y-Elect., Ground	1
6	74405	(000000-	) Starter, Diesel	1
7	55831	(000000-	) Bracket, Mounting, Engine	1
8	57755	(000000-	) Bracket, Mounting, Eng, Rear Rh	1
9	57754	(000000-	) Bracket, Mounting, Eng, Rear, Lh	1
10	51176	(000000-	) Dampner, Engine	3
11	04414	(000000-	) Washer, .531B 1.88D .12Hard Zn	3
12	59946	(000000-	) Magnet, Pick-Up	3
13	30407	(000000-	) Clip, Keeper, Open	4

Fig. 15 - Engine Air Cleaner Group

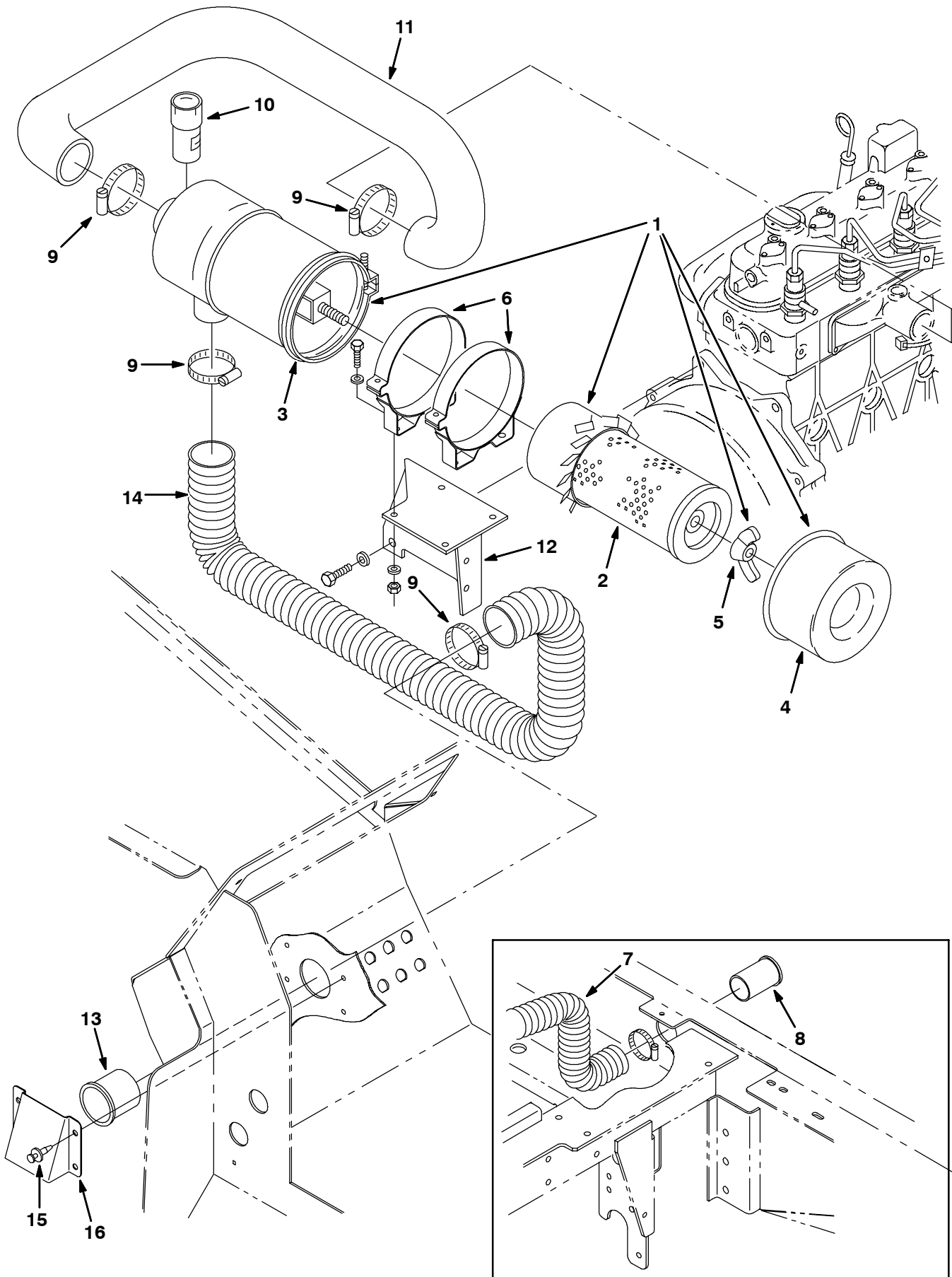


Fig. 15 - Engine Air Cleaner Group

	Ref.	Part No.	Serial Number	Description	Qty.
▽	1	58538	(000000-	) Air Cleaner	1
▲	2	58120	(000000-	) Filter Element, Air	1
▲	3	02740	(000000-	) Clamp Assy	1
▲	4	02741	(000000-	) Cup Assy	1
▲	5	07562	(000000-	) Nut,Wing .44-20 Special	1
	6	51560-3	(000000-	) Clamp,Mounting,Cyclopac Aircl.	2
	7	71418	(000000-003961	) Hose, Air Cleaner, Outlet	1
	8	71488	(000000-003961	) Tube, Air Intake	1
	9	14432	(000000-	) Clamp-Wormdrive, 1.81- 2.75D	4
	10	03026	(000000-	) Indicator Service Air Filter	1
	11	58090	(000000-	) Hose, Moldedair Intake	1
	12	53783	(000000-	) Bracket, Mounting, Air Cleaner	1
	13	58346	(003962-	) Tube-Carb, Air Intake	1
	14	364845	(003962-	) Hose, Air Intake, Flex	1
	15	72970	(003962-	) Rivet, Plastic .250D X .898	4
	16	20903	(003962-	) Guard, Intake	1

Fig. 16 - Engine Alternator Group

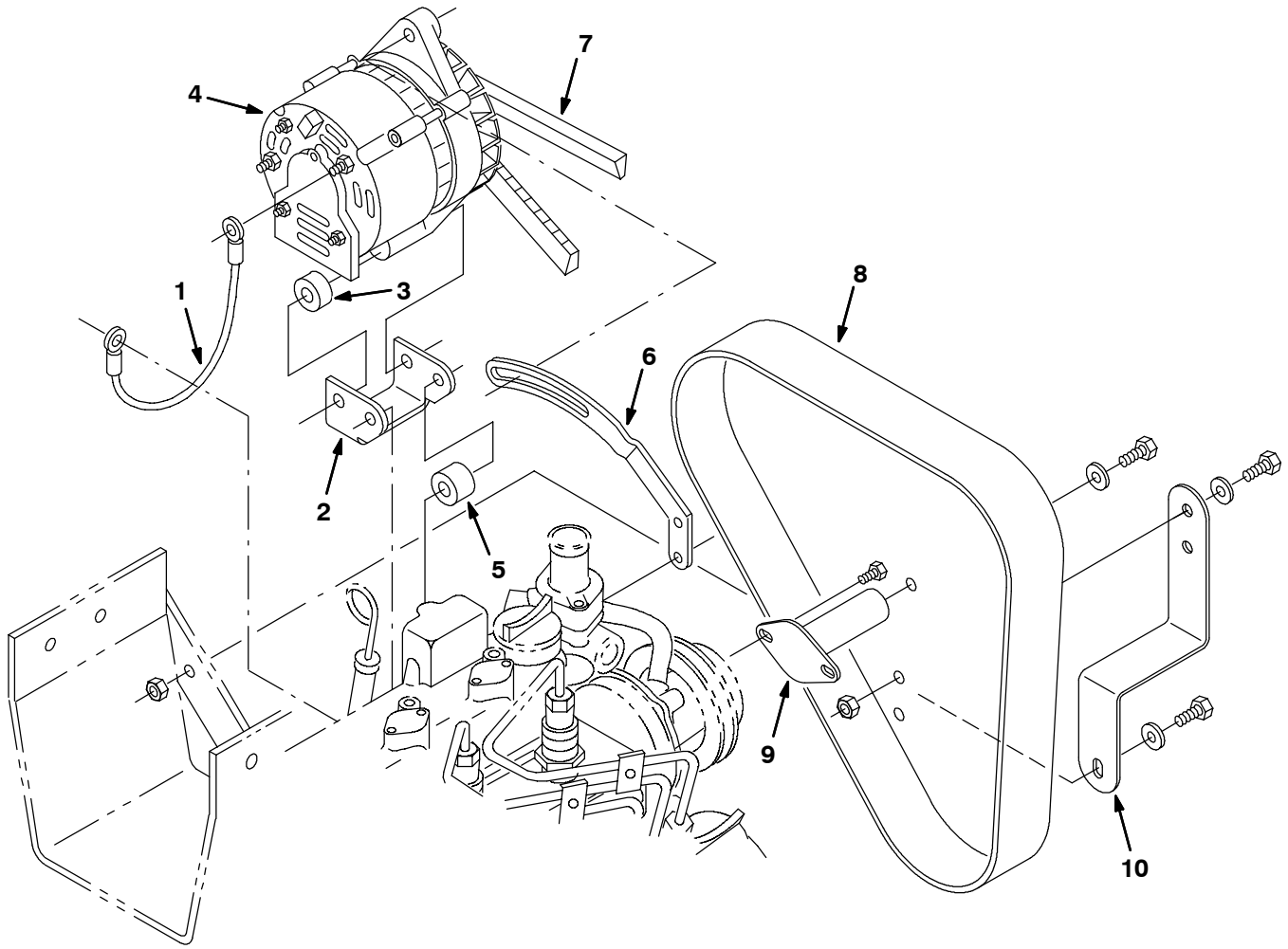


Fig. 16 - Engine Alternator Group

Ref.	Part No.	Serial Number	Description	Qty.	
1	82731	(000000-	) Wire-Ground, Alternator	1	
2	55855	(000000-	) Bracket, Alternator	1	
3	55863	(000000-	) Sleeve, .438B1.00D .49	1	
▽	4	60559	(000000-	) Alternator, 50A/12V Mando	1
▲	61931	(000000-	) Regulator	1	
▲	86041	(000000-	) Bearing, Ball.669B 1.575D .472W	1	
▲	61529	(000000-	) Brush Kit	1	
▲	61531	(000000-	) Rectifier	1	
▲	70160	(000000-	) Pulley, Alternator	1	
5	07274	(000000-	) Sleeve, .438B 1.00D .67	1	
6	55856	(000000-	) Arm, Alternator	1	
7	58327	(000000-	) Belt, V Hc41X41	1	
8	71429	(000000-	) Guard, Belt, Die	1	
9	71439	(000000-	) Flange Wldt, Mtg, Guard	1	
10	71442	(000000-	) Bracket, Mtg, Guard	1	

Fig. 17 - Engine Muffler Group

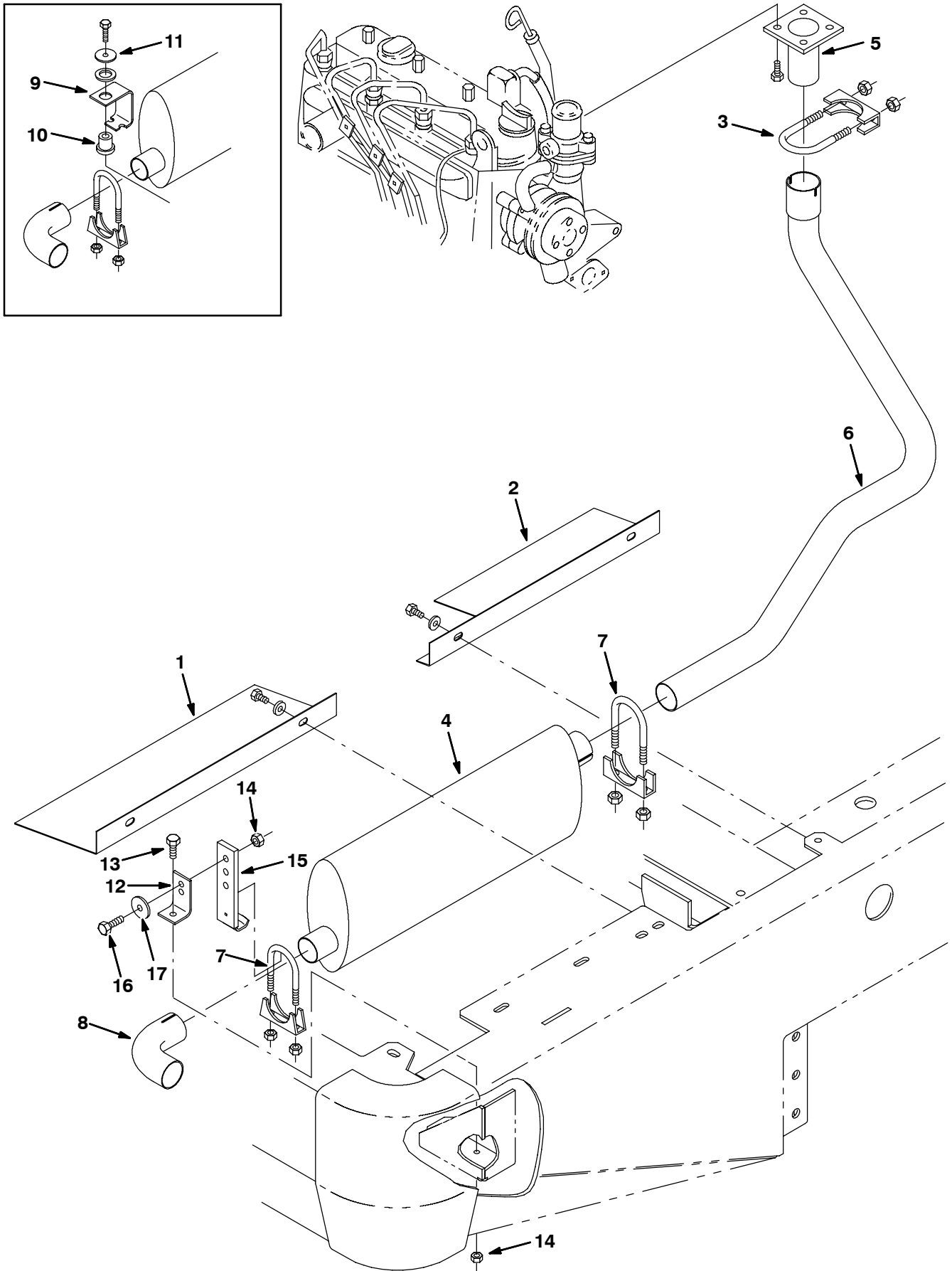


Fig. 17 - Engine Muffler Group

Ref.	Part No.	Serial Number	Description	Qty.
1	71485	(000000-	) Bracket, Muffler, Shield	1
2	71486	(000000-	) Bracket, Shield	1
3	84579	(000000-	) Clamp, Muffler, Tube, 1.75 Dia	1
4	33333	(000000-	) Muffler-Exh, Ovl, To 112Cu Eng	1
5	74452	(000000-	) Pipe, Exhaust, Die	1
6	71406	(000000-	) Tube, Exhaust, Diesel	1
7	24012	(000000-	) Clamp-Muffler,For 1.62 Od Tube	2
8	33329	(000000-	) Tailpipe, Muffler	1
9	374677	(000000-004962	) Repl Kit, Muffler F/70214	1
10	54274	(000000-004962	) Isolator-Vibration,125Lb.Ratng	1
11	30013	(000000-004962	) Washer-Flt .31 Fender Pltd	1
12	374676	(004963-	) Angle, Muffler Hanger	1
13	16931	(004963-	) Screw, Hex, M08 X 1.25 X 20	1
14	08709	(004963-	) Nut, Hex, M08 X 1.25	2
15	374691	(004963-	) Strap, Muffler Hanger	1
16	39277	(004963-	) Screw, Hex, M08 X 1.25 X 25	1
17	30013	(004963-	) Washer, Flat, .31 Fender	1

**Fig. 18 - Engine Fuel Tank Group**

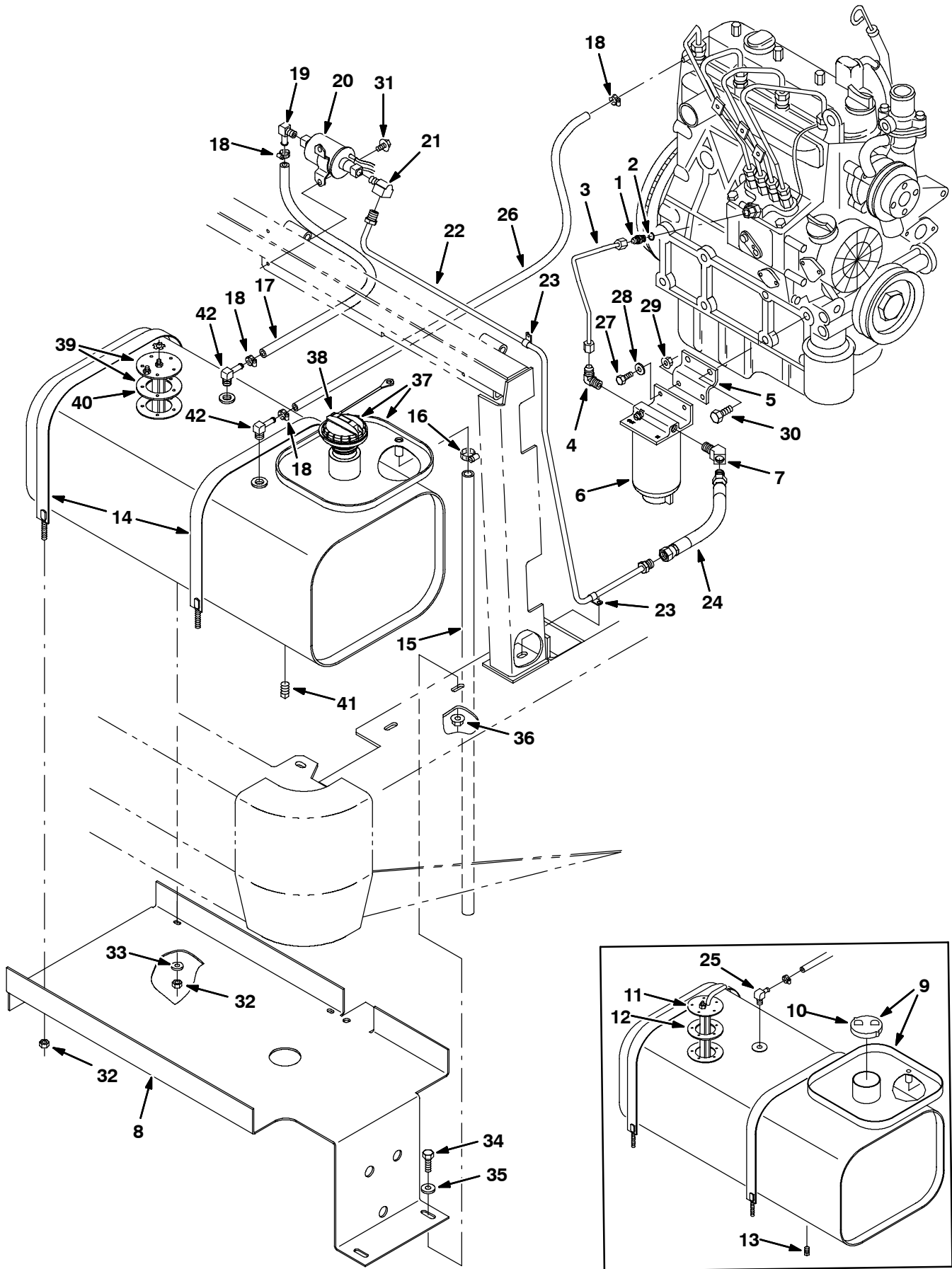




Fig. 18 - Engine Fuel Tank Group

Ref.	Part No.	Serial Number	Description	Qty.
▽	1	58301	(000000- ) Ftg-Hyd Str	1
▲	2	77002	(000000- ) Seal, O-Ring .064X.30	1
	3	58091	(000000- ) Tube, Fuelline Assy, Dsl	1
	4	06764	(000000- ) Ftg-Hyd E90 Pm04/Jm04	1
	5	72491	(000000- ) Bracket, Mounting, Filter	1
▽	6	1016827	(000000- ) Filter Assy, Fuel, Dsl	1
▲		1017126	(000000- ) Element, Fltr, Fuel [Dn]	1
	7	71445	(000000- ) Ftg-Brs	1
	8	71403	(000000- ) Tray, Gas Tank	1
▽	9	71430	(000000-008999 ) Tank, Fuel	1
▲	10	48267	(000000-008999 ) Cap, Fuel	1
▲	11	71432	(000000-008999 ) Sending Unit Tc	1
▲	12	14131	(000000-008999 ) Gasket, 2.7D 1.5B.12T 5/ 2.1Bc	1
▲	13	48126	(000000-008999 ) Ftg-Plug Npt 02Pm Sq Hd	1
	14	71416	(000000- ) Strap Wldt, Tank.06Tx1.0W 31.9	2
	15	71427	(000000- ) Hose, Fuel, 0.50 Id 34.0L	1
	16	54333	(000000- ) Clamp-Wormdrive, 0.31- 0.88D	1
	17	82510	(000000- ) Hose, Fuel Line .31 Idx14.0	1
	18	43844	(000000- ) Clamp-Wormdrive, 0.25- 0.62D	4
	19	53029	(000000- ) Ftg-Brs E90 Bm05/Pm02	1
	20	59015	(000000- ) Pump, Fuel	1
	21	15555-1	(000000- ) Ftg-Brs E90 lf05/Pm02	1
	22	71423	(000000- ) Tube, Fuelline Gas	1
	23	40678	(000000- ) Clamp,Cable .44D .62Wide	2
	24	70173	(000000- ) Hose, Fuelline, 10.0L	1
	25	32183	(000000-008999 ) Ftg,Brass,E90,Barb.12Pt-.25Hse	1
	26	71431	(000000- ) Hose, Fuel, .188ld X.360L	1
	27	06943	(000000- ) Screw, Hex, M6 X 1.0 X 20, 8.8	2
	28	32490	(000000- ) Washer, Flat, 0.25 Std	2
	29	07790	(000000- ) Nut, Hex, Flng, M6 X 1.0	2
	30	58286	(000000- ) Screw, Hex, M10 X 1.25 X 20, 8.8	2
	31	74455	(000000- ) Screw, Hex, M6 X 1.0 X 12, Fmg	2
	32	32981	(000000- ) Nut, Hex, Lock, .25-20, NI	4
	33	32483	(000000- ) Washer, Flat, 0.25 Sae	2
	34	16931	(000000- ) Screw, Hex, M8 X 1.25 X 20, 8.8	4
	35	32491	(000000- ) Washer, Flat, 0.31 Std	4
	36	07791	(000000- ) Nut, Hex, Flng, M8 X 1.25	4
▽	37	1030138	(009000- ) Tank, Fuel, 11 Gal [7400 2007]	1
▲	38	1032812	(009000- ) Cap, Fuel, Tank	1
▲▽	39	1033901	(009000- ) Send-unit, Fuel [2007]	1
▲▲	40	1033897	(009000- ) Gasket, Sender, Fuel	1
▲	41	48126	(009000- ) Ftg-Plug Npt 02Pm Sq Hd	1
	42	9000355	(009000- ) Fitting, Brs, E90, Em05/Pm04	2

Fig. 19 - Engine Radiator Group

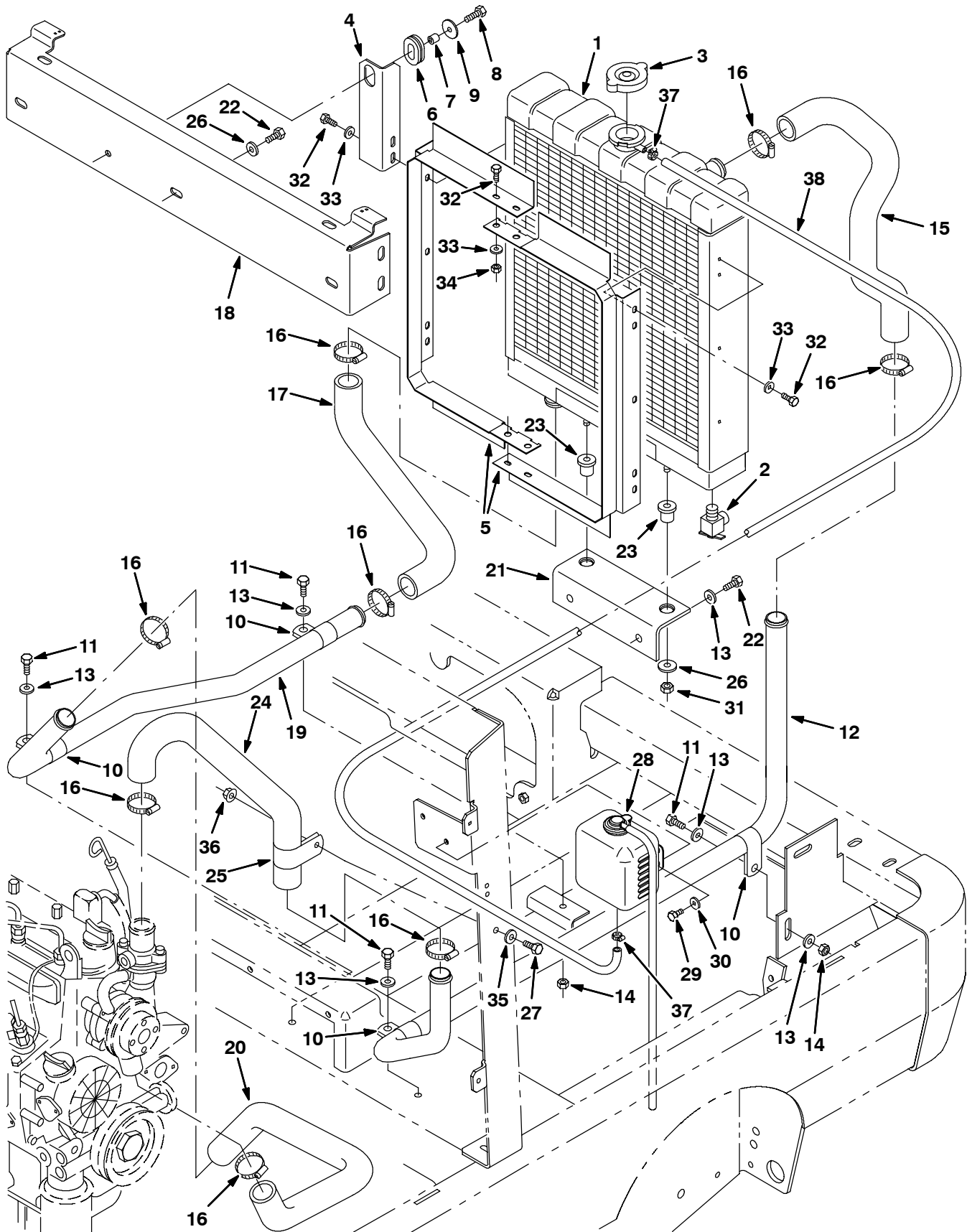


Fig. 19 - Engine Radiator Group

Ref.	Part No.	Serial Number	Description	Qty.
1	1018059	(000000-	) Radiator, F/1018059 Afmkt	1
2	51305	(000000-	) Drain Cock,.25Npt Wh#120 Angl	1
3	1032822	(000000-007496	) Cap, Radiator, 07psi	1
3	368132	(007497-	) Cap, Radiator, 15psi	1
4	71947	(000000-	) Strap, Radiator	1
5	71949	(000000-	) Panel, Shroud, Radiator	2
6	10632-14	(000000-	) Grommet,Rbr,1.00Id,For .12Matl	1
7	22140	(000000-	) Sleeve, .370B .50D .50 Butwcd	1
8	12333	(000000-	) Scr-Hexssm 8X1.25 25 Nylnloc	1
9	30013	(000000-	) Washer-Flt .31 Fender Pltd	1
10	58366	(000000-	) Clamp,Cable 1.25Dia 1.00W Neo	4
11	15675	(000000-	) Scr Hexssm 8X1.25	4
12	71914	(000000-	) Tube, Radiator, Upper	1
13	01685	(000000-	) Washer Flt .31 Ss	5
14	08713	(000000-	) Nut-Hxlocnyln M 8X1.25 Reg Ss	2
15	20917	(000000-	) Hose, Radiator	1
16	79381	(000000-	) Clamp Wormdrive, 1.25-2.00	8
17	71916	(000000-	) Hose, Radiator	1
18	71948	(000000-	) Bracket, Mountin, Radiator	1
19	20969	(000000-	) Tube, Radiator, Lower	1
20	20793	(000000-	) Hose, Radiator, Lower, Diesel	1
21	71950	(000000-	) Bracket, Mounting, Radiator	1
22	12273	(000000-	) Scr-Hexssm 8X1.25 20 Nylnloc	6
23	54274	(000000-	) Isolator-Vibration,125Lb.Ratng	2
24	20792	(000000-	) Hose, Radiator, Upper, Diesel	1
25	86328	(000000-	) Clamp-Cable, 1.50Dia 0.75W	1
26	13248	(000000-	) Washer, .400B 1.12D .12Cr Znc	6
27	16931	(000000-	) Screw, Hex, M8 X 1.25 X 20, 8.8	1
28	1023853	(007744-	) Tank, Coolant, 04.7 03.3 4.7deep, 1liter	1
29	06941	(007744-	) Screw, Hex, M6 X 1.0 X 10, 8.8	2
30	01684	(007744-	) Washer, Flat, 0.25 Ss	2
31	41430	(000000-	) Nut, Hex, Lock, M10 X 1.5, NI	2
32	06942	(000000-	) Screw, Hex, M 6 X 1.0 X 16, 8.8	12
33	32490	(000000-	) Washer, Flat, 0.25 Std	16
34	08708	(000000-	) Nut, Hex, Lock, M 6 X 1.0, NI	4
35	32491	(000000-	) Washer, Flat, 0.31 Std	1
36	07791	(000000-	) Nut, Hex, Flng, M8 X 1.25	1
37	43844	(000000-	) Clamp, Hose, Wormdrive, 0.25-0.62d	2
38	1014843	(000000-	) Hose, Recvy, Coolant, 0.31id X 60l	1

Fig. 20 - Engine Cooling Fan and Housing Group

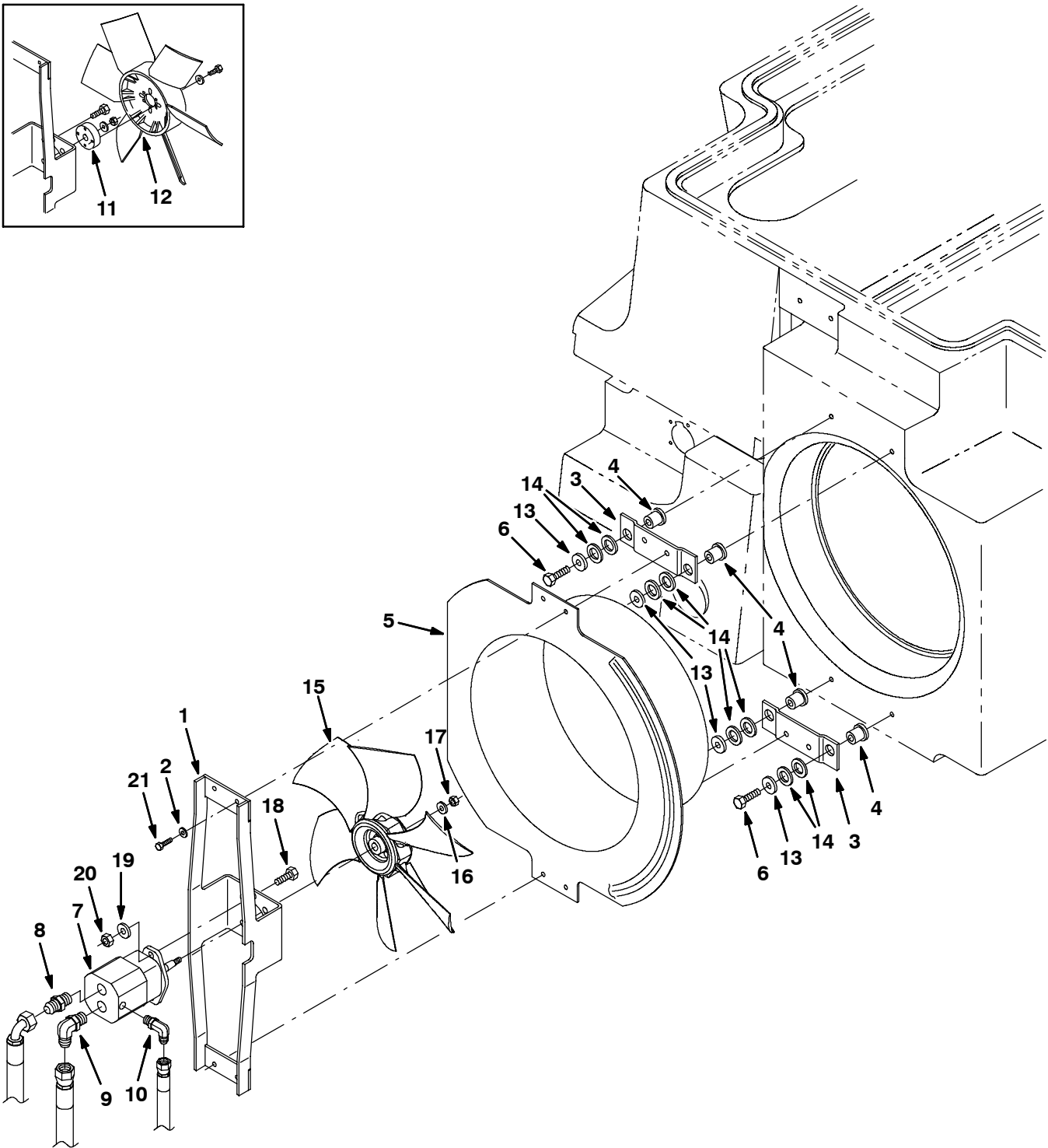
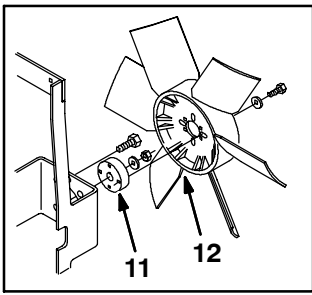


Fig. 20 - Engine Cooling Fan and Housing Group

Ref.	Part No.	Serial Number	Description	Qty.
1	71482	(000000-	) Channel Wldt, Fan Motor	1
2	41185	(000000-	) Washer-Belleville .25 Pltd	4
3	71484	(000000-	) Bracket, Mtg, Fan	2
4	54274	(000000-	) Isolator-Vibration,125Lb.Ratng	4
5	71480	(000000-	) Panel, Transition	1
6	12317	(000000-	) Scr Hexssm10X1.5 30	4
7	71719	(000000-	) Motor, Hyd Gear (See Breakdowns)	1
8	52402	(000000-	) Ftg-Hyd Str Jm06/Om08	1
9	47512	(000000-	) Ftg-Hyd E90 Jm06/Om08	1
10	82825	(000000-	) Fitting, Hyd, E90, Jm04/Om04, L	1
11	71287	(000000-008999	) Hub, Mounting, Fan	1
12	30559	(000000-008999	) Fan, Pusher	1
13	13248	(000000-	) Washer .400B 1.12D .12Cr Znc	4
14	09832	(000000-	) Washer, .812B 1.06D .06Cr	8
15	1031566	(009000-	) Fan, Cooling, 14.3d, 6 Blade, 0.5b Taper	1
16	32491	(009000-	) Washer, Flat, 0.31, Std	1
17	08709	(009000-	) Nut, Hex, Lock, M8 X 1.25, NI	1
18	39283	(000000-	) Screw, Hex, M10 X 1.5 X 25, 8.8	2
19	32492	(000000-	) Washer, Flat, 0.38 Std	2
20	41430	(000000-	) Nut, Hex, Lock, M10 X 1.5, NI	2
21	06943	(000000-	) Screw, Hex, M6 X 1.0 X 20, 8.8	4

Fig. 21 - Engine Battery Group

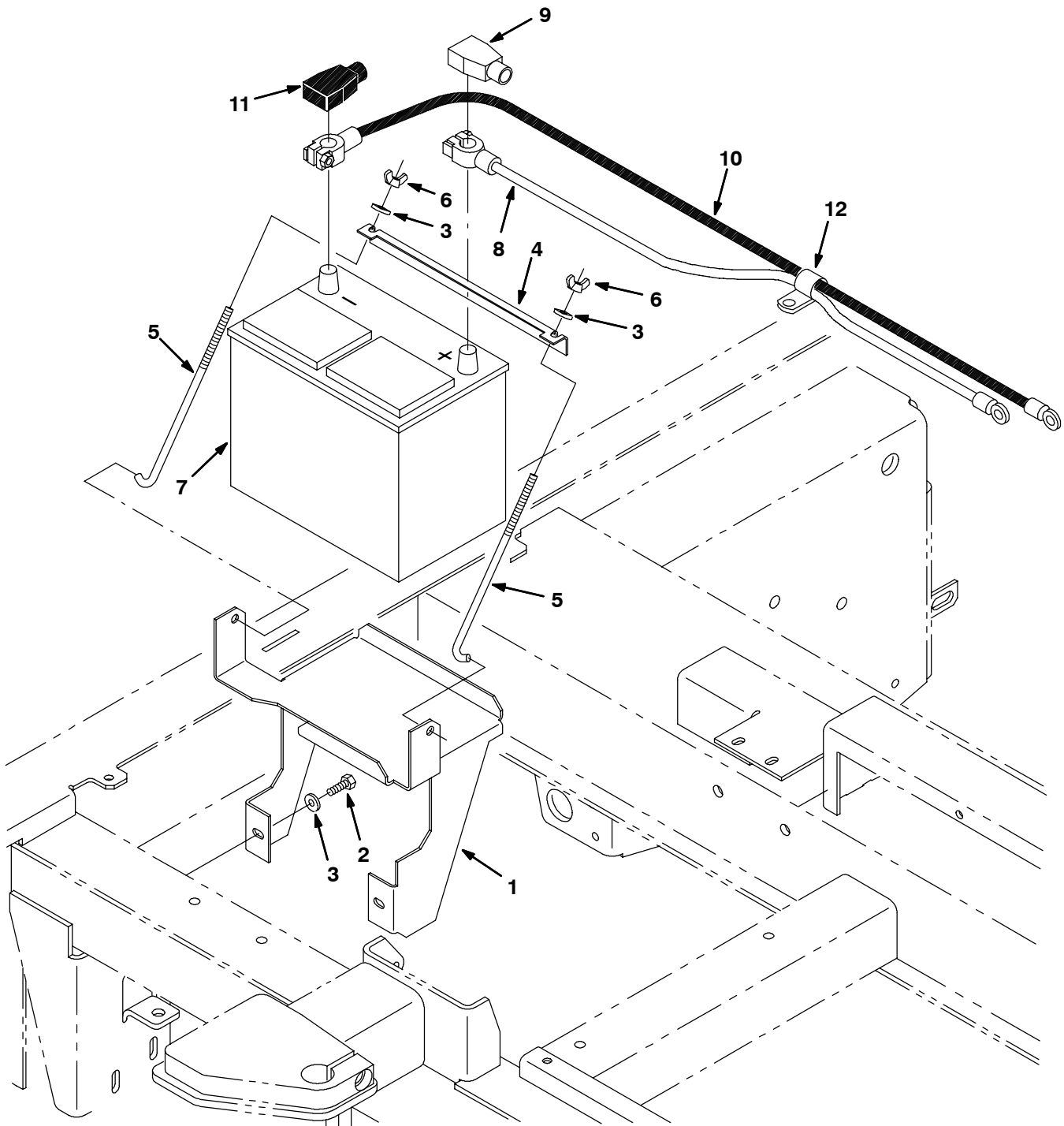


Fig. 21 - Engine Battery Group

Ref.	Part No.	Serial Number	Description	Qty.
1	71169	(000000-	) Tray, Battery	1
2	09010	(000000-	) Scr Hexssm 8X1.25 25	2
3	01685	(000000-	) Washer Flt .31 Ss	4
4	72977	(000000-	) Angle, Battery	1
5	13015	(000000-	) Bolt, Hold Down, Battery, 7.5 Lg	2
6	39272	(000000-	) Nut-Wing .31-18 Pltd	2
7	10143	(000000-	) Battery, 12V, Cc Amps:600 Wet	1
8	34823	(000000-	) Cable, Batt. Pos. 33.0Lg	1
9	68873	(000000-	) Boot, Batt. Term. 1-2Ga. Red	1
10	34821	(000000-	) Cable, Batt, Neg. 36"L	1
11	68872	(000000-	) Boot, Batt. Term. 1-2Ga. Black	1
12	69234	(000000-	) Clamp-Cable, 1.00Dia. .62Wth	1

Fig. 22 - Wheel Group, Front Drive

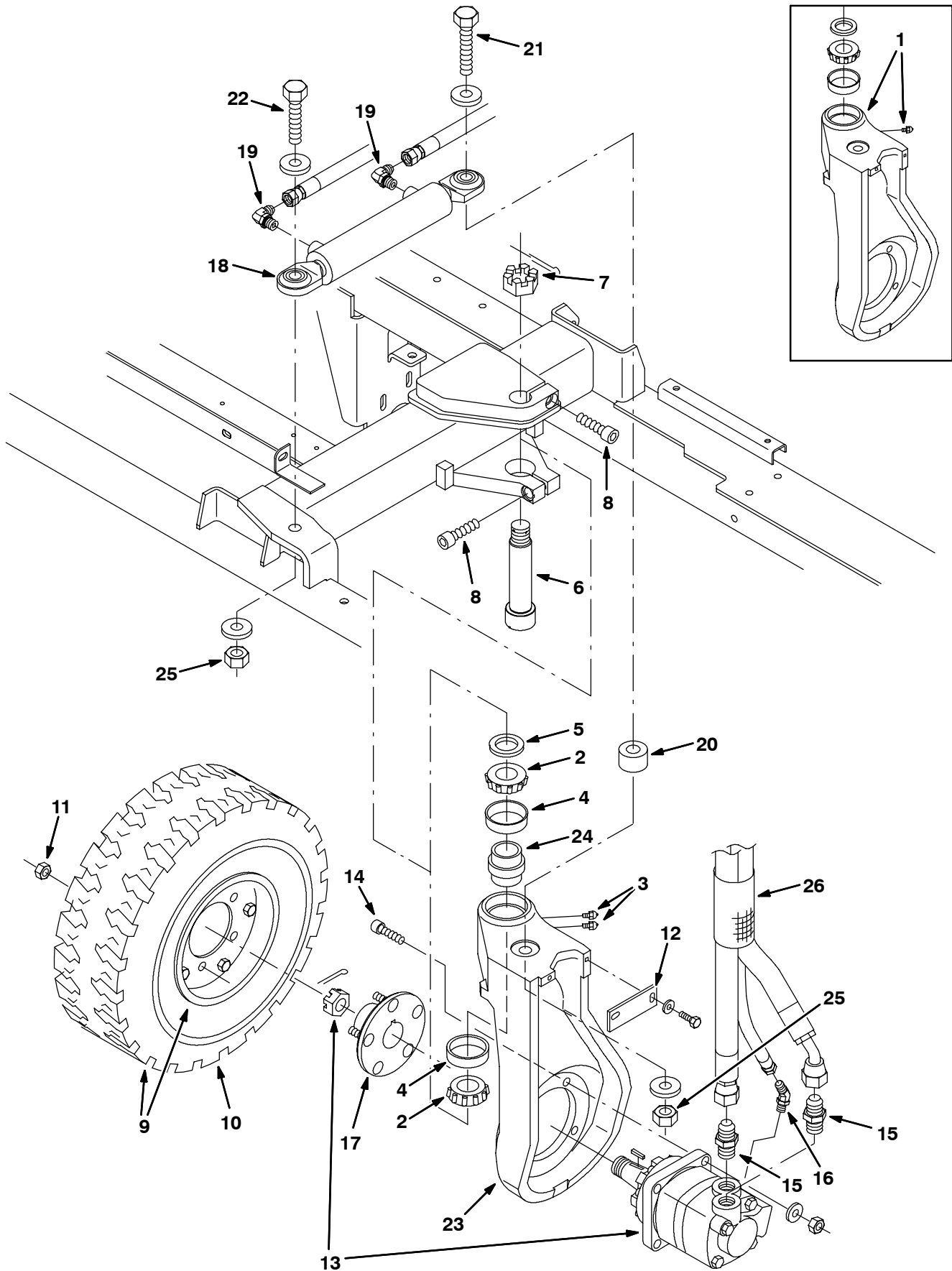




Fig. 22 - Wheel Group, Front Drive

Ref.	Part No.	Serial Number	Description	Qty.	
1	374566	(000000-003817 )	Replacement Kit, Drive Housing	1	
2	51339	(000000- )	Bearing-Cone, 1.38Bore 0.71Wth	2	
3	47801	(000000- )	Ftg, Grease.25-28Th Strt .63L	2	
4	51338	(000000- )	Bearing, Cup, 2.56d 0.55w	2	
5	54051	(000000- )	Washer, Thrust	1	
6	73281	(000000- )	Pin,Support Wheel, Bar	1	
7	54052	(000000- )	Nut-Hex Slot 1.12-18	1	
8	72926	(000000- )	Scr Soc	1	
▽	9	71344	(000000- )	Tire & Wheel Assy, Front	1
▲	10	71345	(000000- )	Tire, Solid 5.00 X 8 X 3.75	1
11	24339	(000000- )	Nut Wheel .50-20 60 Angle	5	
12	58842	(000000- )	Plate - Hose Support	1	
13	71724	(000000-003524 )	Motor, Hyd Gear (See Breakdowns) (Replaced by 378710)	1	
13	22604	(003525- )	Motor, Hyd Gear (See Breakdowns)	1	
14	19583	(000000- )	Scr Soc .50-13X1.50	4	
15	42223	(000000- )	Ftg-Hyd Str Jm10/Om12	2	
16	34359	(000000- )	Ftg-Hyd E45 Jm04/Om04	1	
▽	17	54087	(000000- )	Hub & Stud	1
▲	32126	(000000- )	Stud, Wheel .50-20 X 1.50	5	
18	1029833	(000000- )	Cylinder, Hyd, 2.0b 14.8l 08.00strk 3000	1	
19	56820	(000000- )	Ftg-Hyd E90 Jm06/Om06	2	
20	71340	(000000- )	Sleeve, .88B 1.75D 1.12L, Stl	1	
21	71341	(000000- )	Scr-Hex .75-10x4.00 G5 Pltd	1	
22	77345	(000000- )	Scr-Hex .75-10x3.25 G5 Pltd	1	
23	374562	(003818- )	Housing, Support, Wheel	1	
24	374560	(003818- )	Seal, Drive Grease Cavity	1	
25	32987	(000000- )	Nut, Hxlocnylon .75-10	2	
26	57315	(000000- )	Sleeve, Nyl, #37 5.0l	1	

**Fig. 23 - Wheels and Brakes Group, Rear**

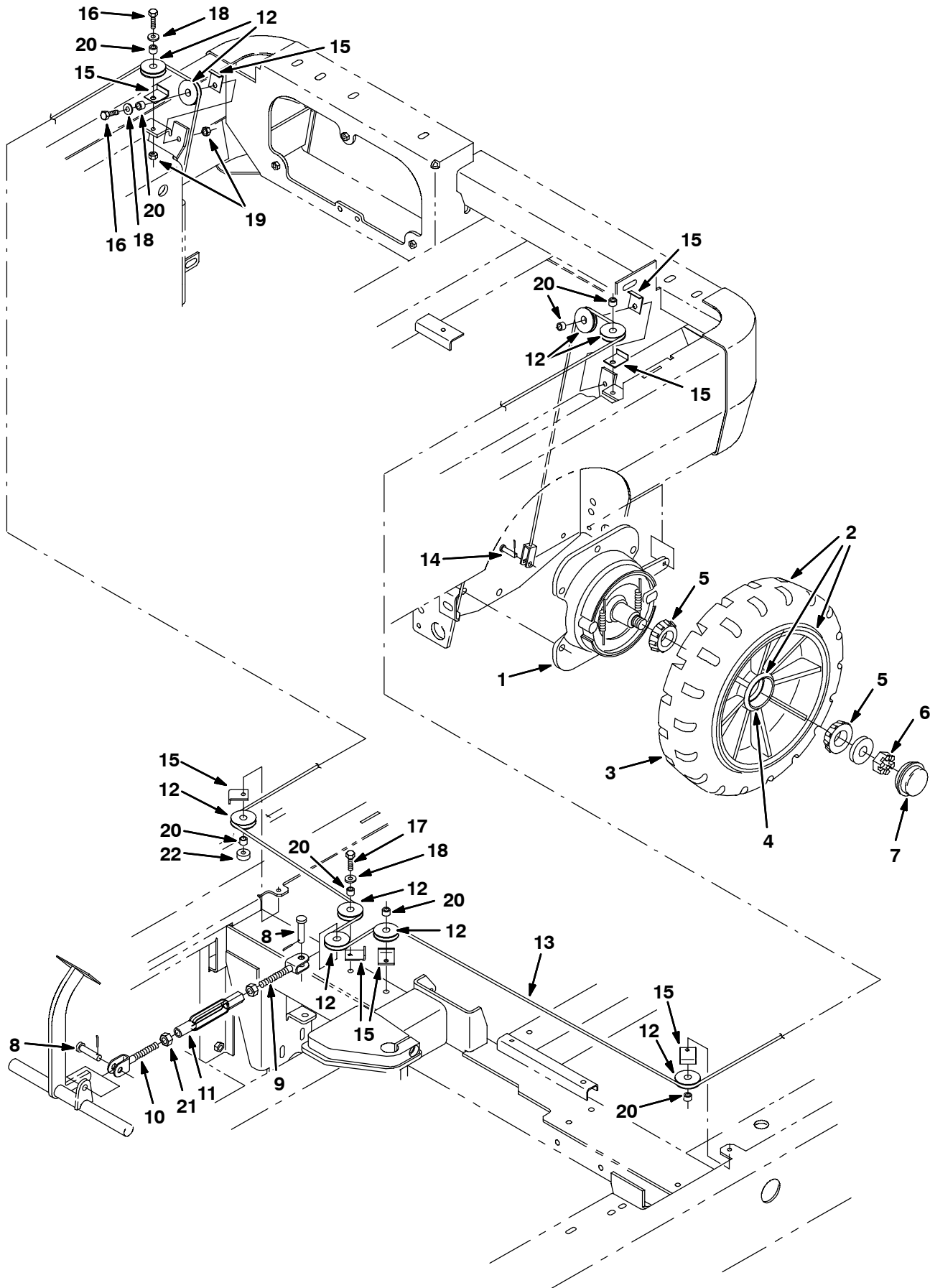


Fig. 23 - Wheels and Brakes Group, Rear

	Ref.	Part No.	Serial Number	Description	Qty.
▽	1	54577	(000000-	) Brake Assy	2
▲		66211	(000000-	) Brake Shoe (Need 2)	2
▲▽		66213	(000000-	) Brake Repair Kit	1
▲▲		70161	(000000-	) Shaft, Cam, Chrome Plated	1
▲		70158	(000000-	) Spring, Return, Brakes	2
▽	2	54437	(000000-	) Wheel	2
▲	3	54567	(000000-	) Tire, 18X5X12.12 Solid	1
▲	4	51338	(000000-	) Bearing, Cup, 2.56d 0.55w	2
	5	51339	(000000-	) Bearing-Cone, 1.38Bore 0.71Wth	4
	6	14242	(000000-	) Nut-Hxslot 1.00-20 Pltd	2
	7	54390	(000000-	) Cap, Hub	2
	8	06598	(000000-	) Pin,Clevis,0.50 Dia.X 1.42 Lg	2
	9	71372	(000000-	) Yoke Wldt, Lh	1
	10	71373	(000000-	) Yoke Wldt, Rh	1
	11	75147	(000000-	) Turnbuckle,.50-20Thd,2.2-4.4Lg	1
	12	369781	(000000-	) Pulley, Cable, 1.5d, Nyl	9
	13	71361	(000000-	) Cable, Brake, Service	1
	14	09088	(000000-	) Pin,Clevis,0.37 Dia.X 1.00 Lg	2
	15	54400	(000000-	) Angle, Cable Keeper	8
	16	09023	(000000-	) Scr Hexssm 8X1.25 35	6
	17	09026	(000000-	) Scr Hexssm 8X1.25 40	2
	18	01685	(000000-	) Washer Flt .31 Ss	8
	19	08713	(000000-	) Nut-Hxlocnyln M 8X1.25 Reg Ss	6
	20	222460	(000000-	) Spacer	8
	21	71369	(000000-	) Nut-Hx Jam .50-20 Left Pltd	1
	22	69462	(000000-	) Sleeve, .401B 1.00D .38Hrs	1

Fig. 24 - Brake Pedal Group

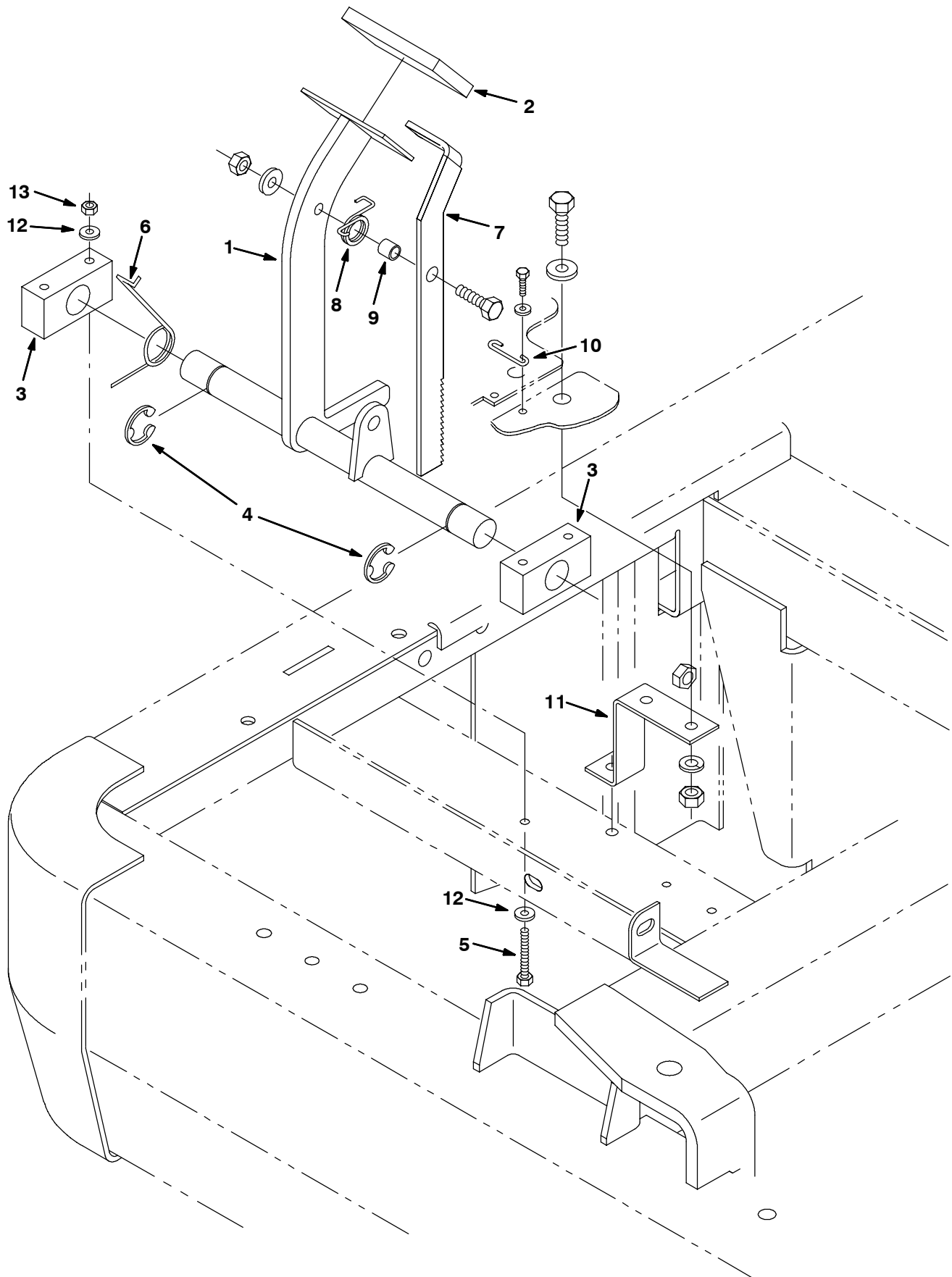


Fig. 24 - Brake Pedal Group

Ref.	Part No.	Serial Number	Description	Qty.
1	71360	(000000-	) Shaft Wldt, Brake	1
2	51109	(000000-	) Pad	1
3	86751	(000000-	) Bearing, Brake	2
4	23788	(000000-	) Ring,Retain,Ex,0.98Od,E-Ring	2
5	58979	(000000-	) Screw-Hex Ssm 6X1.0	4
6	54607	(000000-	) Spring, Torsion	1
7	22731	(000000-	) Pedal, Brake Lock Ec	1
8	59009	(000000-	) Spring, Tors 0.75D 1.00L .060W	1
9	46563	(000000-	) Bshg,Sleeve,0.37Bx0.50Odx0.50L	1
10	71367	(000000-	) Spring, Brake, Parking	1
11	71796	(000000-	) Bracket, Brake	1
12	01684	(000000-	) Washer Flt .25 Ss	8
13	08712	(000000-	) Nut-Hxlocnyln M6X1.0 Reg Ss	4

**Fig. 25 - Directional Pedal and Linkage Group**

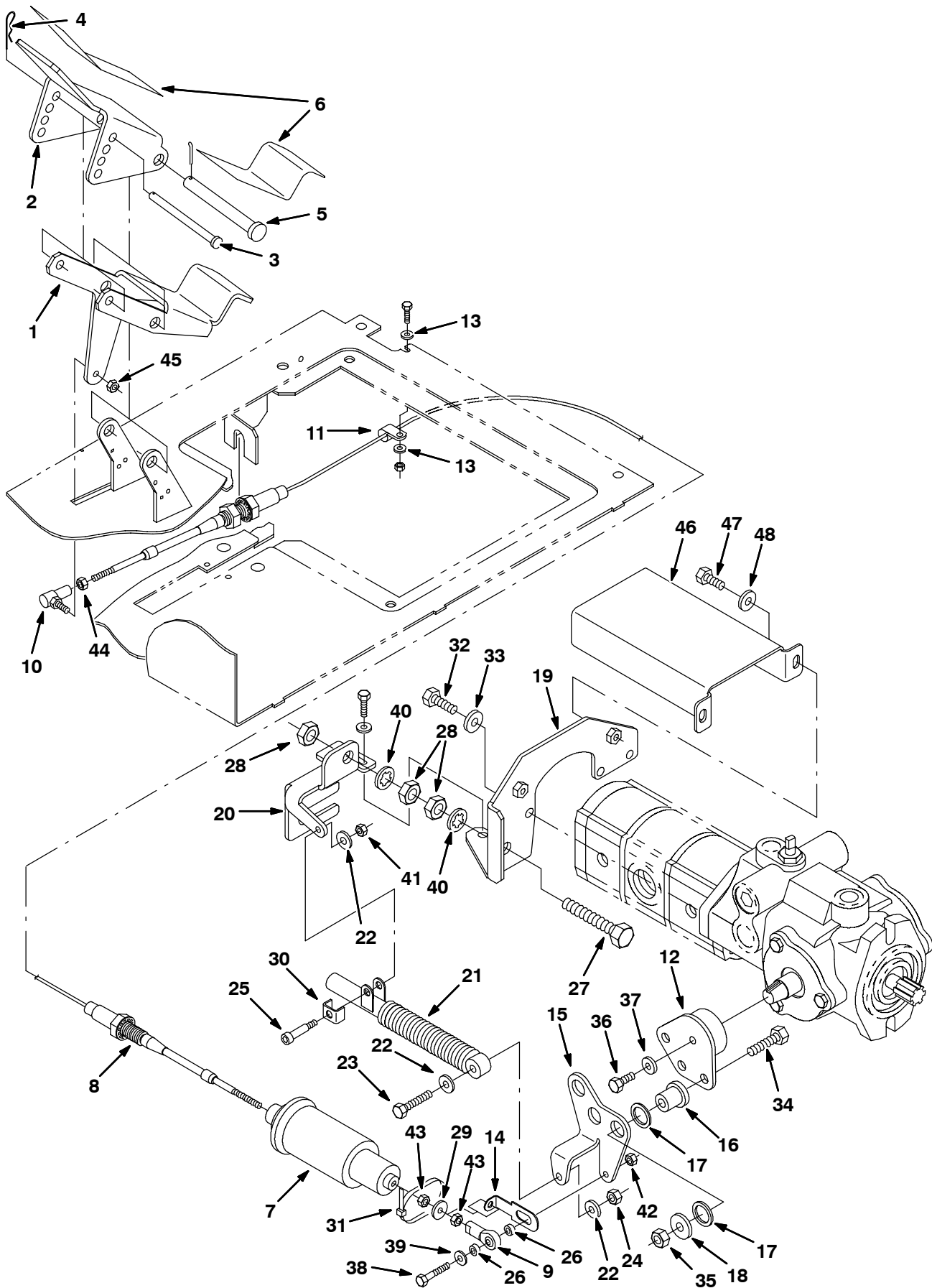


Fig. 25 - Directional Pedal and Linkage Group

Ref.	Part No.	Serial Number	Description	Qty.
1	71677	(000000-	) Pedal, Lower, Propel	1
2	75305	(000000-	) Pedal, Upper	1
3	59672	(000000-	) Pin, Clevis .31 Dia X 4.50 Lg	1
4	86866	(000000-	) Pin, Hair Cotter .38D .072 Wire	1
5	59668	(000000-	) Pin, Clevis .50 Dia X 4.50 Lg	1
6	82839	(000000-	) Pad, Tread	1
7	63292	(000000-	) Spring, Propel, Centering	1
8	71676	(000000-	) Cable, Push-Pull	1
9	68866	(000000-	) Rod End .250-28 .25Dia	1
10	14601	(000000-	) Ball Joint, 250-28	1
11	26395-1	(000000-	) Clamp-Cable, 0.56Dia 0.38Wth	1
12	71682	(000000-	) Arm Wldt, Propel	1
13	01683	(000000-	) Washer Flt 10 Ss	2
14	83887	(000000-	) Bracket, Safety Clip	1
15	71680	(000000-	) Arm, Propel, Lower	1
16	54274	(000000-	) Isolator-Vibration,125Lb.Ratng	3
17	09832	(000000-	) Washer, .812B 1.06D .06Cr.	6
18	32492	(000000-	) Washer, Flat, 0.38 Std	3
19	71678	(000000-	) Bracket, Propel	1
20	71681	(000000-	) Bracket, Propel, Adjustment	1
21	73411	(000000-	) Shock Absorber	1
22	01685	(000000-	) Washer Flt .31 Ss	4
23	09023	(000000-	) Scr Hexssm 8X1.25 35	1
24	08713	(000000-	) Nut-Hxlocnyln M 8X1.25 Reg Ss	1
25	16213	(000000-	) Scr-Shld .312Dx1.00L .25-20	1
26	65441	(000000-	) Spacer, .259Id 375Od .250Lg	2
27	53963A	(000000-	) Scr-Hx .50-13 X 3.00 Full Thd	1
28	01704	(000000-	) Nut-Hx Jam .50-13 Ss	3
29	78785	(000000-	) Washer, .250B .88D .06Neoprene	1
30	84170	(000000-	) Bracket, Retainer	1
31	49266	(000000-	) Tie, Cable, Nyl, 07.3l .19w 1.8 Max D	1
32	46559	(000000-	) Screw, Hex, .38-16 X 1.25, NI	2
33	32485	(000000-	) Washer, Flat, .38 Sae	4
34	39285	(000000-	) Screw, Hex, M10 X 1.5 X 40, 8.8	3
35	41430	(000000-	) Nut, Hex, Lock, M10 X 1.5, NI	3
36	83879	(000000-	) Screw, Hex, .31-24 X 0.75, NI	1
37	39349	(000000-	) Washer, Flat, 0.31 Sae	1
38	25049	(000000-	) Screw, Hex, .25-20 X 1.75, 5	1
39	32490	(000000-	) Washer, Flat, 0.25 Std	1
40	32989	(000000-	) Washer, Lock, Int, .50	2
41	75934	(000000-	) Nut, Hex, Lock, .25-20, NI	1
42	32981	(000000-	) Nut, Hex, Lock, .25-20, NI	1
43	01714	(000000-	) Nut, Hex, Std, .25-28	2
44	32899	(000000-	) Nut, Hex, Jam, .25-28	1
45	13513	(000000-	) Nut, Hex, Lock, .25-28, NI	1
46	1021315	(007549-	) Bracket, Shield	1
47	16931	(007549-	) Screw, Hex, M8 X 1.25 X 20, 8.8	2
48	39349	(007549-	) Washer, Flat, 0.31 Sae	2

Fig. 26 - Vacuum Fan Group

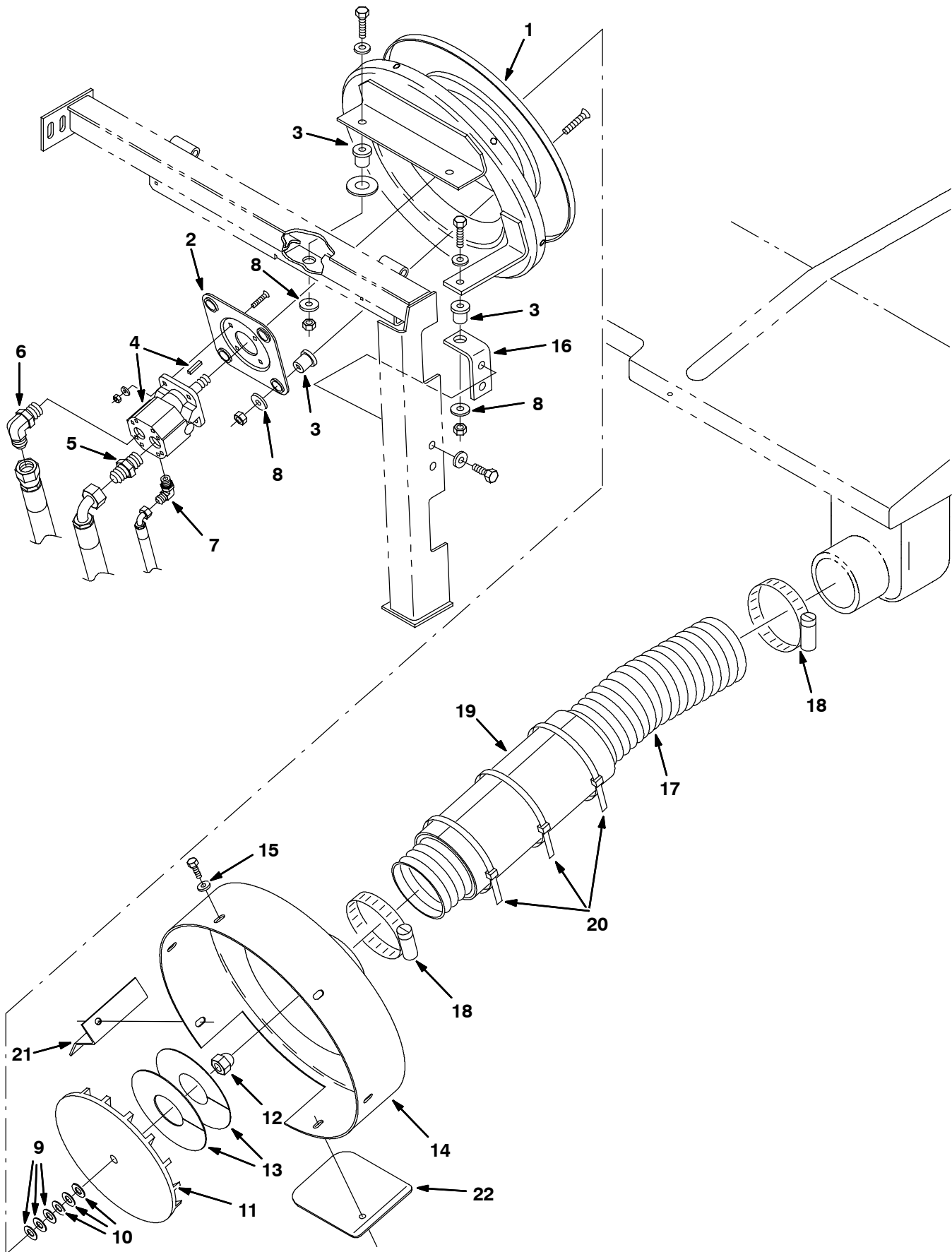




Fig. 26 - Vacuum Fan Group

Ref.	Part No.	Serial Number	Description	Qty.
1	20976	(000000-	) Housing Wldt, Vac Fan	1
2	54275A	(000000-	) Bracket, Mounting Motor	1
3	54274	(000000-	) Isolator-Vibration,125Lb.Ratng	7
4	73112	(000000-	) Motor, Hyd Gear (See Breakdowns)	1
5	56692	(000000-	) Ftg-Hyd Str Jm08/Om10	1
6	56821	(000000-	) Ftg-Hyd E90 Jm08/Om10	1
7	77097	(000000-	) Ftg-Hyd E90 Jm04/Om04	1
8	13248	(000000-	) Washer .400B 1.12D .12Cr Znc	7
9	75456-3	(000000-	) Shim .020Th 0.88Odx0.506ld	3
10	75456-4	(000000-	) Shim .060Th 0.880Dxo.506ld	3
11	03922	(000000-	) Impeller 9.5 Dia. 18 Blade Mac	1
12	41130	(000000-	) Nut-Low Crown .50-20 Pltd	1
13	58114	(000000-	) Fan, Repair Kit, Reassembly	1
14	25821	(000000-	) Housing, Vac Fan W/Label	1
15	41186	(000000-	) Washer-Belleville .31 Pltd	6
16	20974	(000000-	) Bracket, Mounting, Fan	1
17	20971	(000000-	) Hose, Vacuum 4.0	1
18	79380	(000000-	) Clamp Wormdrive, 3.75-4.62	2
19	75375	(000000-	) Flap,Containment	1
20	44961	(000000-	) Tie, Cable 4.00 Max 14.50Lg	3
21	20982	(000000-	) Bracket, Discharge	1
22	20884	(000000-	) Deflector, Fan	1

Fig. 27 - Solution Control Group

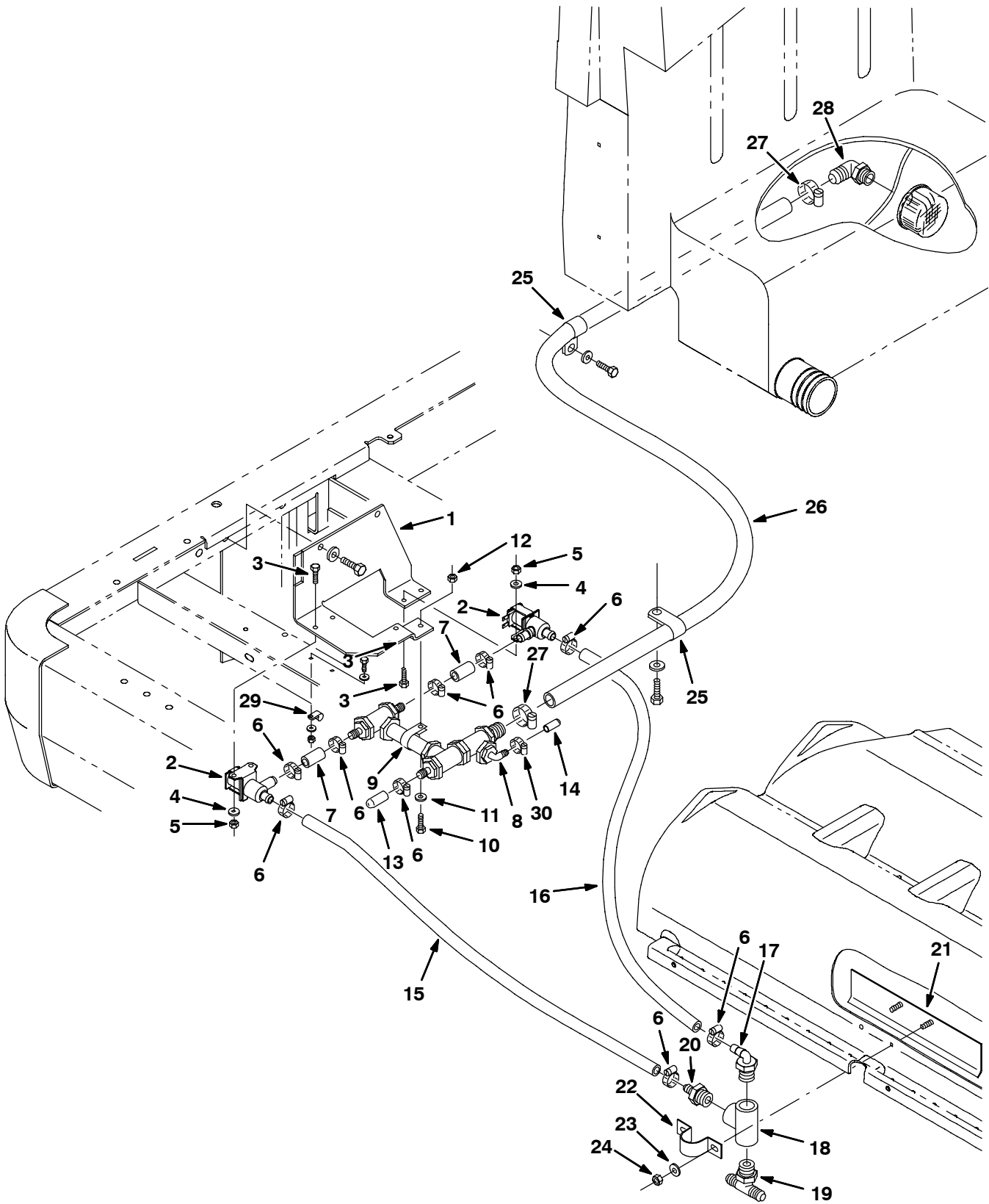


Fig. 27 - Solution Control Group

Ref.	Part No.	Serial Number	Description	Qty.
1	71786	(000000-	) Bracket, Sol Control	1
2	369850	(000000-	) Valve, Water, Solenoid	2
3	08716	(000000-	) Screw, Hex Ssm 6 X 1.0 20	4
4	01684	(000000-	) Washer Flt .25 Ss	4
5	08712	(000000-	) Nut Hxlocnyln M 6X1.0 Reg Ss	4
6	54333	(000000-	) Clamp-Wormdrive, 0.31- 0.88D	9
7	71793	(000000-	) Hose, Vinyl Clr .501Dx1.0Lng	2
8	71614	(000000-	) Fitting Assy, Sol Control	1
9	50544	(000000-	) Clamp-Cable, 1.12Dia 0.38Wth	1
10	09738	(000000-	) Scr Hexssm 5X0.8 12	1
11	01683	(000000-	) Washer Flt10 Ss	1
12	09739	(000000-	) Nut-Hxlocnyln M 5X0.8 Reg 18-8	1
13	20807	(000000-	) Cap, Neoprene, Black	1
14	20806	(000000-	) Cap, Neoprene, Black	1
15	20778	(000000-	) Hose, Vinyl, Clear	1
16	20779	(000000-	) Hose, Vinyl, Clear	1
17	63244-3	(000000-	) Ftg,Plstc,Elb,Barb.75Pt-.50Hse	1
18	42133A	(000000-	) Ftg,Plstc,Tee,.75-.75-.75Pipe	1
19	71982	(000000-	) Fitting, Plastic Tee 12Bm/12Pm	1
20	79273-1	(000000-	) Ftg,Plstc,Cplg,Barb.75Pt-.50Hs	1
21	1027294	(000000-	) Plate Wldt, Stiffener, Ss	1
22	56553	(000000-	) Clamp-Conduit, 2 Slot 1.50Dia	1
23	01684	(000000-	) Washer Flt .25 Ss	2
24	08712	(000000-	) Nut Hxlocnyln M 6X1.0 Reg Ss	2
25	53466	(000000-	) Clamp-Cable, 1.50Dia. 1.00W	2
26	20777	(000000-	) Hose, Vinyl, Clear	1
27	11399	(000000-	) Clamp-Wormdrive, 0.81- 1.50D	2
28	20959	(000000-	) Fitting, Plastic E90 16Bm/12Pm	1
29	40678	(000000-	) Clamp-Cable, 0.44D 0.62W Stl	1
30	43844	(000000-	) Clamp, Hose, Wormdrive, 0.25-0.62d	1

Fig. 28 - Solution Tank Group

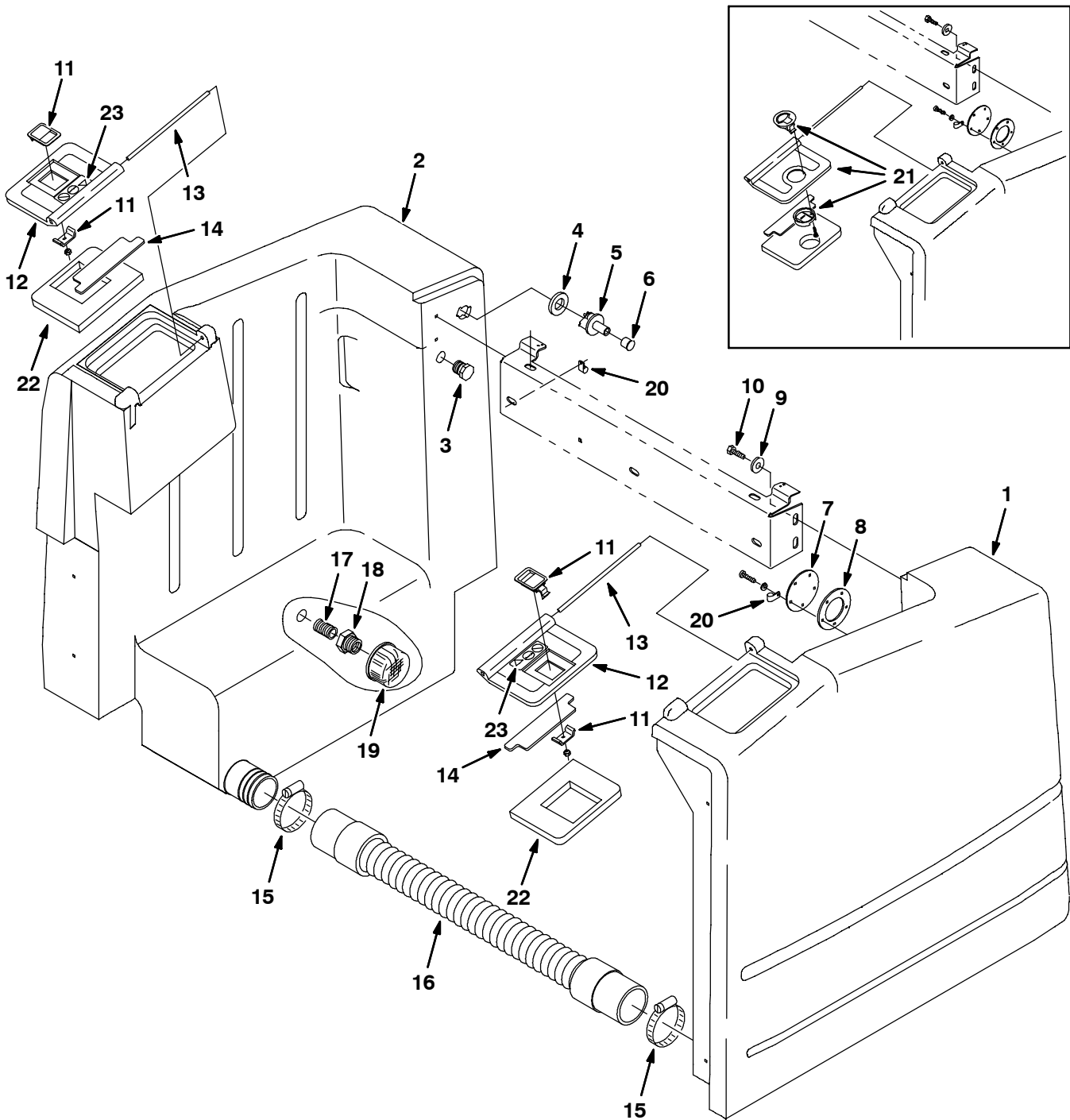


Fig. 28 - Solution Tank Group

Ref.	Part No.	Serial Number	Description	Qty.
1	20918	(000000-	) Tank, Solution, Lh	1
2	20919	(000000-	) Replm Kit, Solution Tnk	1
3	75611	(000000-	) Ftg-Plug Npt 12Pm Rd Hd Plstc.	1
4	73342	(000000-	) Gasket, Check Valve	1
5	78840	(000000-	) Valve, Check	1
6	78740	(000000-	) Plug, Cap, Check Valve	1
7	86755	(000000-	) Cap, Plate	1
8	86591	(000000-	) Gasket	1
9	1017218	(000000-	) Washer, Flat, 0.321b 1.00d .12, Ss	4
10	12273	(000000-	) Scr-Hexssm 8X1.25 20 Nyloloc	4
11	20996	(003431-	) Latch, Engine Door, Side	2
12	20995	(003431-	) Cover, Solution Tank	2
13	20924	(000000-	) Rod, Plastic	2
14	20958	(000000-	) Sheet, Plastic, Backup	2
15	17188	(000000-	) Clamp Wormdrive, 1.62-3.50	2
16	20927	(000000-	) Hose, Crossover	1
17	69784	(000000-	) Ftg,Plstc,Nip. 0.75Ptx 1.68Lg	1
18	20811	(000000-	) Fitting, Plastic Str 12Pf/16Pm	1
19	20810	(000000-	) Strainer, Screen,Solution Tank	1
20	40678	(000000-	) Clamp-Cable, 0.44D 0.62W Stl	2
21	20994	(000000-003430	) Cover Kit, Solution Tank	2
22	20997	(003431-	) Gasket, Cover	2
23	391451	(007549-	) Label, Attention Fast Users	2

**Fig. 29 - Recovery Tank Group**

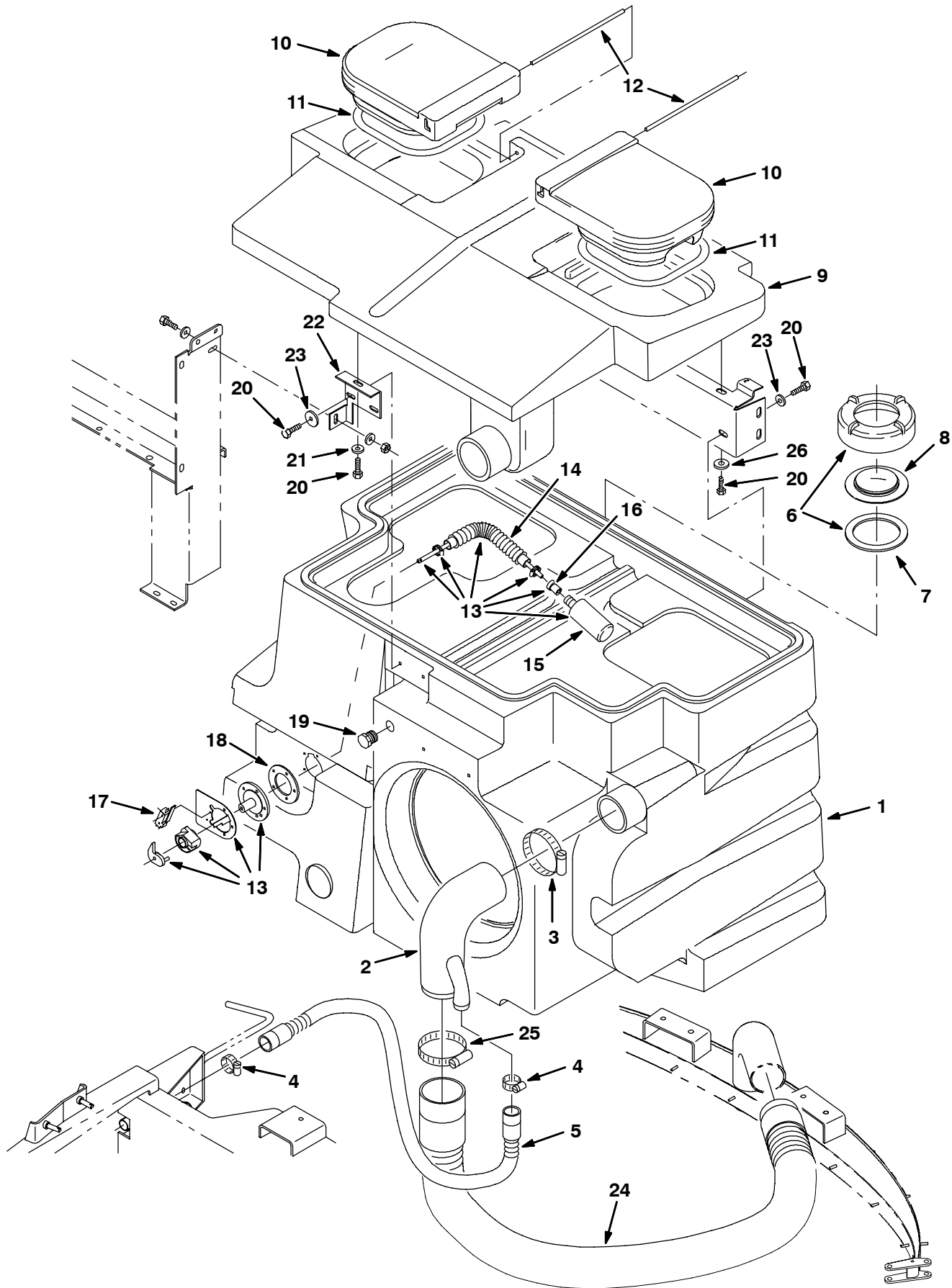


Fig. 29 - Recovery Tank Group

	Ref.	Part No.	Serial Number	Description	Qty.
▽	1	20980	(000000-	) Replm Kit, Recovery Tnk	1
▲	2	20943	(000000-	) Fitting, Special, Y, Tank	1
▲	3	20983	(000000-	) Clamp-Wormdrive	1
	4	11399	(000000-	) Clamp-Wormdrive, 0.81- 1.50D	2
	5	71236	(000000-	) Hose, 1.0 Dia Tray	1
▽	6	24358	(000000-	) Cap Assy, Tank	1
▲	7	1031699	(000000-	) Gasket, .19, 4.05id 5.29od [Buna]	1
	8	86636	(000000-	) Cover Lid	1
	9	25818	(000000-	) Demister Cover W/Label	1
	10	20921	(000000-	) Cover, Recovery Tank	2
	11	20922	(000000-	) Seal, Tube, Silicone	2
	12	20915	(000000-	) Rod, Plastic	2
▽	13	20949	(000000-	) Level Sensing Assy	1
▲	14	73145	(000000-	) Bellows, .75 Id 10.3L	1
▲	15	50238	(000000-	) Float Bottle	1
▲	16	50256	(000000-	) Plug, Float	1
▲	17	1008142	(000000-	) Switch, Snap Actn, 250vdc 25a Spdt	1
	18	86591	(000000-	) Gasket	1
	19	75611	(000000-	) Ftg-Plug Npt 12Pm Rd Hd Plstc.	1
	20	12273	(000000-	) Scr-Hexssm 8X1.25 20 NyInloc	9
	21	1017218	(000000-	) Washer, Flat, 0.321b 1.00d .12, Ss	1
	22	20937	(000000-	) Bracket, Mtg, Tank	1
	23	13248	(000000-	) Washer, .400B 1.12D .12Cr Znc	7
	24	71235	(000000-	) Hose, 3.0 Dia Squeegee	1
	25	23498	(000000-	) Clamp-Wormdrive, 2.63- 4.50D	1
	26	1014563	(000000-	) Washer, Flat, 0.40b 1.12d .12, Ss	2

Fig. 30 - Solution and Recovery Tank Drain Group

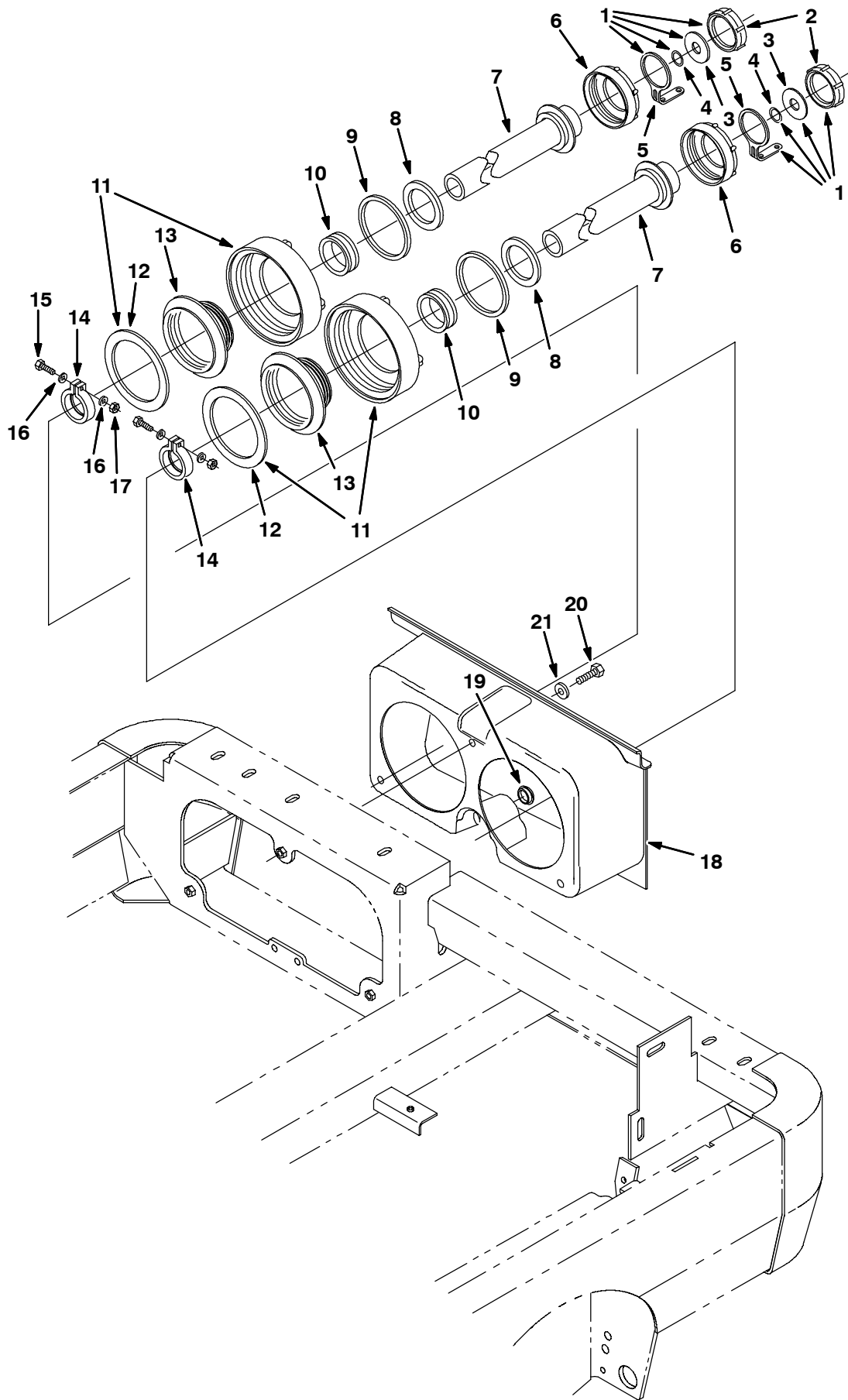
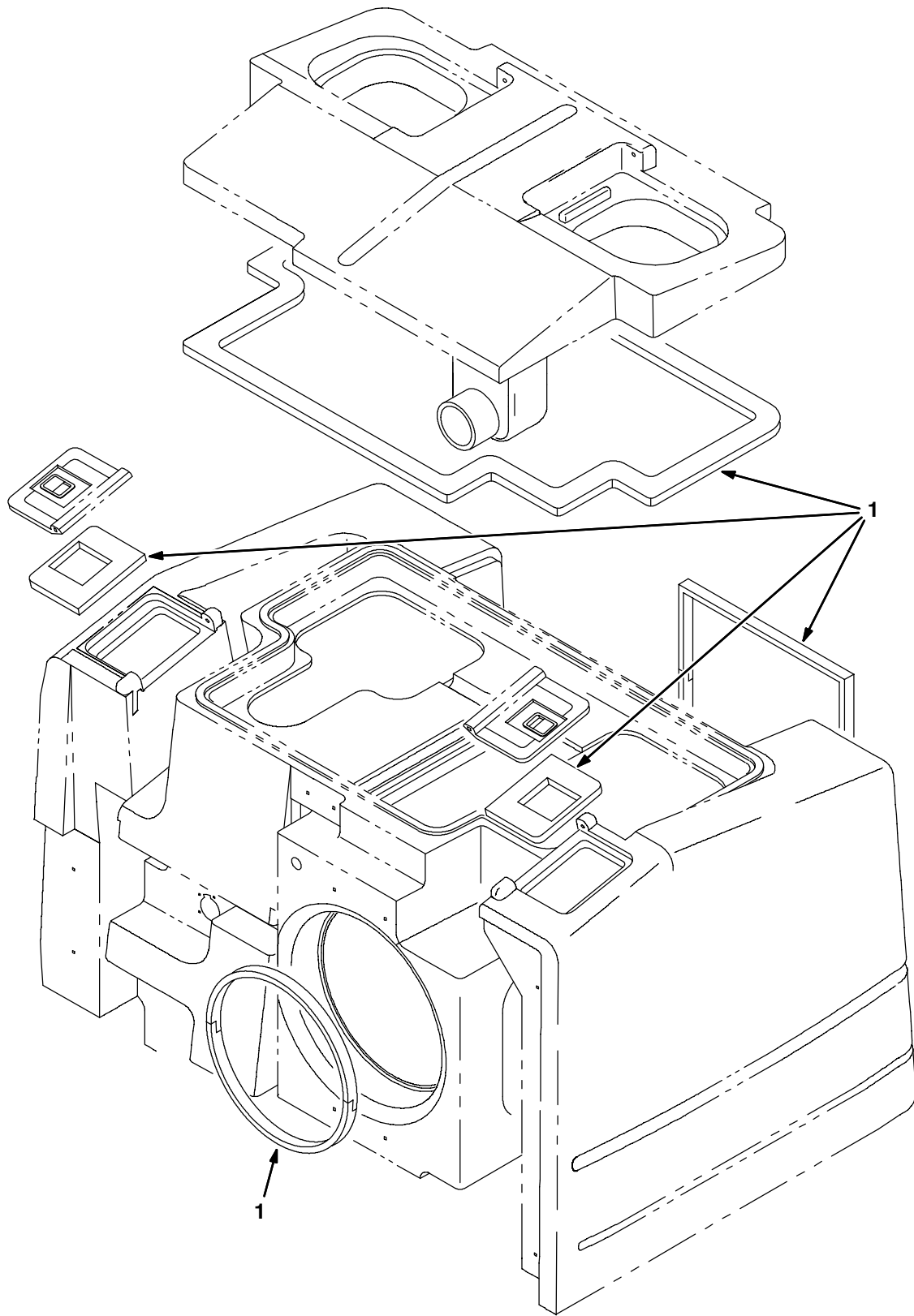




Fig. 30 - Solution and Recovery Tank Drain Group

	Ref.	Part No.	Serial Number	Description	Qty.
▽		223533	(000000-	) Hose, Drain, Assy, 0.31id X 24.3l, Pvc	2
▲▽	1	32501	(000000-	) Drain Kit, Cap	1
▲▲	2	32613	(000000-	) Cap Drain	1
▲▲	3	32614	(000000-	) Gasket Cap	1
▲▲	4	32669	(000000-	) Ring Retain Ex, 0.75D	1
▲	5	32508	(000000-	) Strap Cap Retainer	1
▲	6	14880	(000000-	) Cap, Drain Hose	1
▲	7	24174	(000000-	) Hose Assembly, Drain	1
▲	8	41451	(000000-	) Gasket Lid	1
▲	9	79320	(000000-	) Gasket, Drain Cap	1
▲	10	41421	(000000-	) Seal, Hose	1
▲▽	11	24358	(000000-	) Cap Assy, Tank, Drain	1
▲▲	12	1031699	(000000-	) Gasket, .19, 4.05id 5.29od [Buna]	1
▲	13	14864	(000000-	) Cover, Insert	1
▲	14	41454	(000000-	) Clamp, Hose	1
▲	15	12316	(000000-	) Scr Hexssm 5X0.8 25	1
▲	16	01683	(000000-	) Washer Flt 10 Ss	2
▲	17	09739	(000000-	) Nut-Hxlocnyln M 5X0.8 Reg 18-8	1
	18	20938	(000000-	) Cover, Cleanout	1
	19	55035	(000000-	) Button, Plug	1
	20	12273	(000000-	) Scr-Hexssm 8X1.25 20 Nylnloc	3
	21	01685	(000000-	) Washer Flt .31 Ss	3

**Fig. 31 - Solution and Recovery Tank Gaskets Group**



**Fig. 31 - Solution and Recovery Tank Gaskets Group**

<b>Ref.</b>	<b>Part No.</b>	<b>Serial Number</b>	<b>Description</b>	<b>Qty.</b>
1	20945	(000000-	) Gasket Set, Tank	1

Fig. 32 - Hydraulic Schematic (000000-005613)

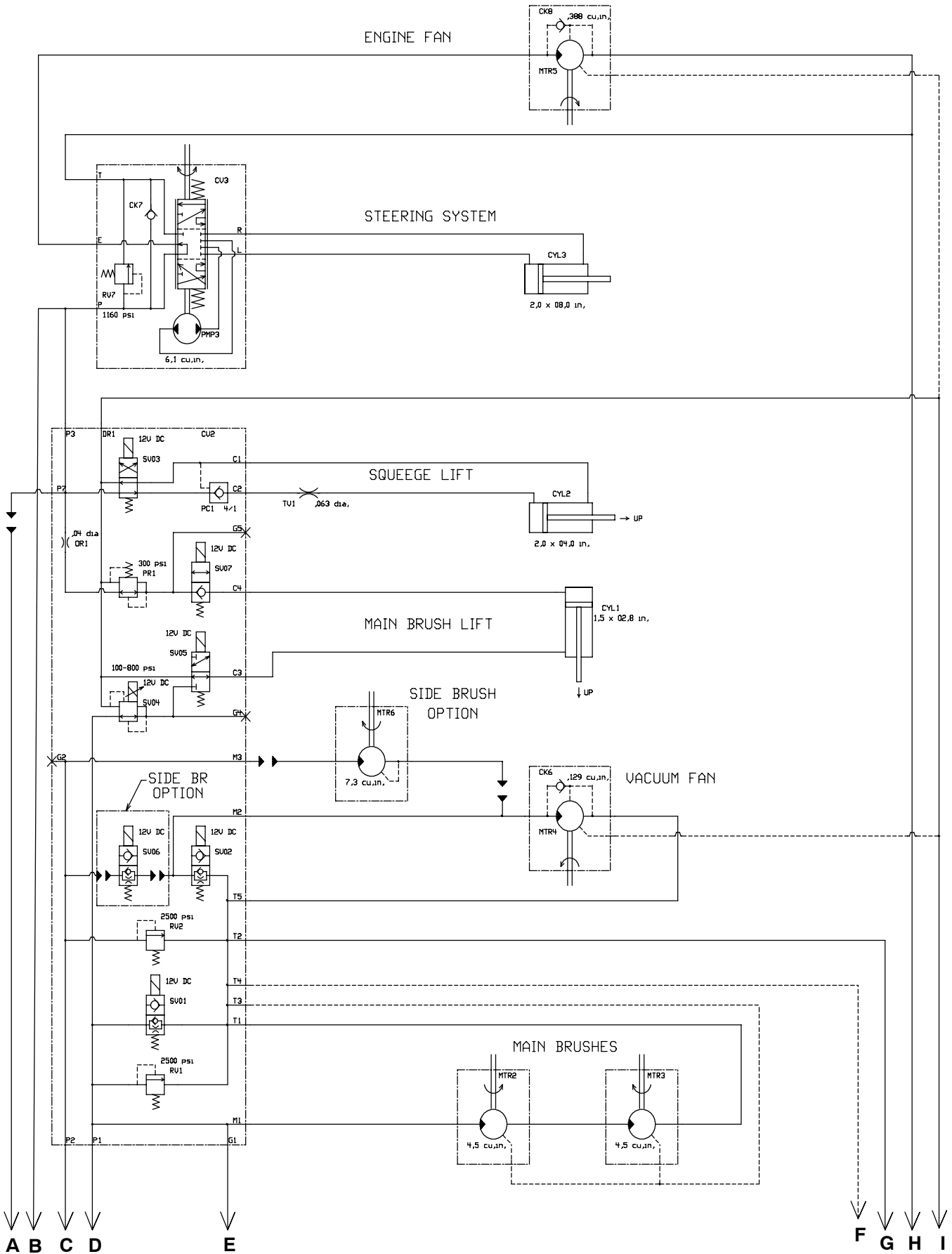
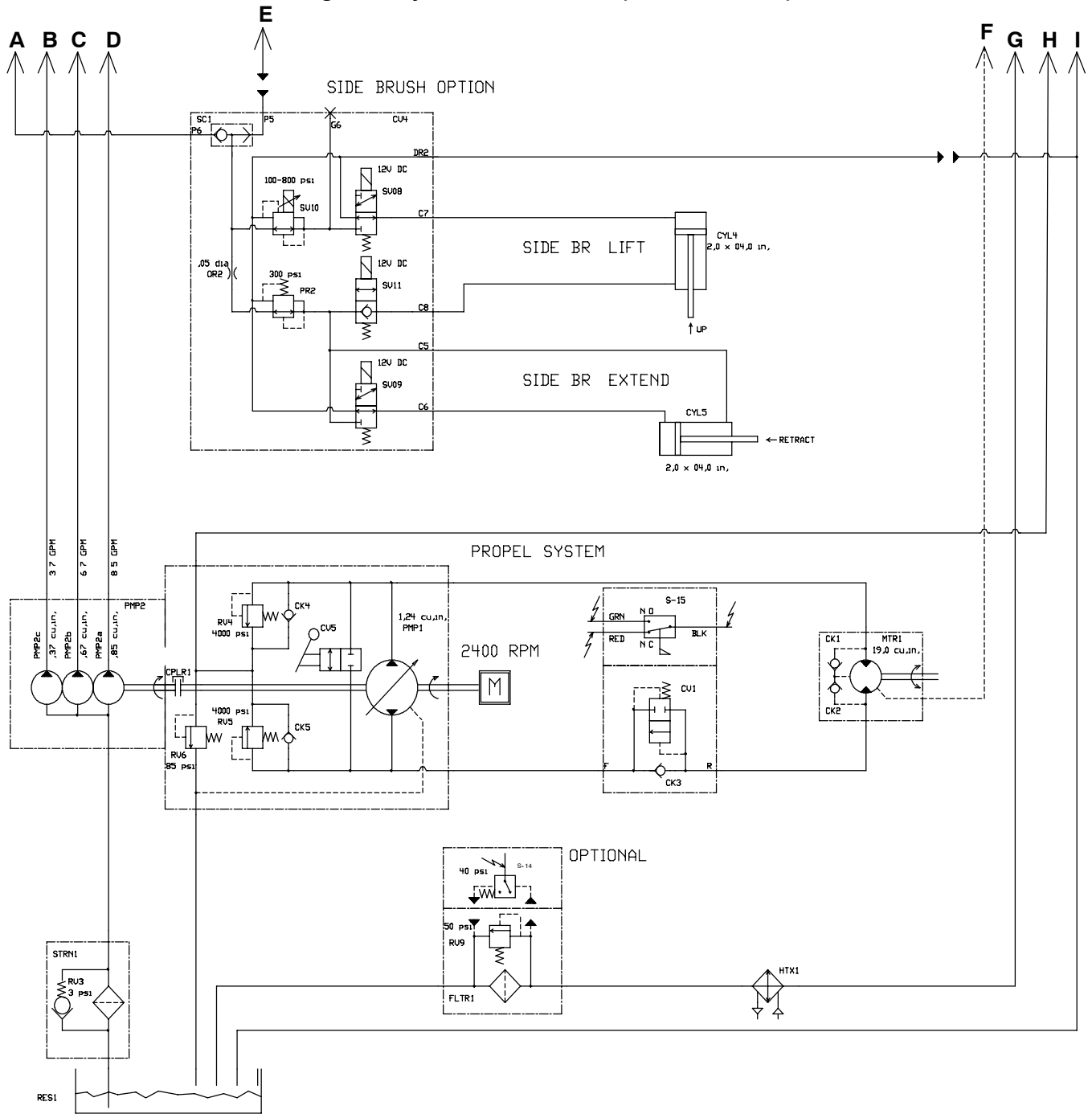
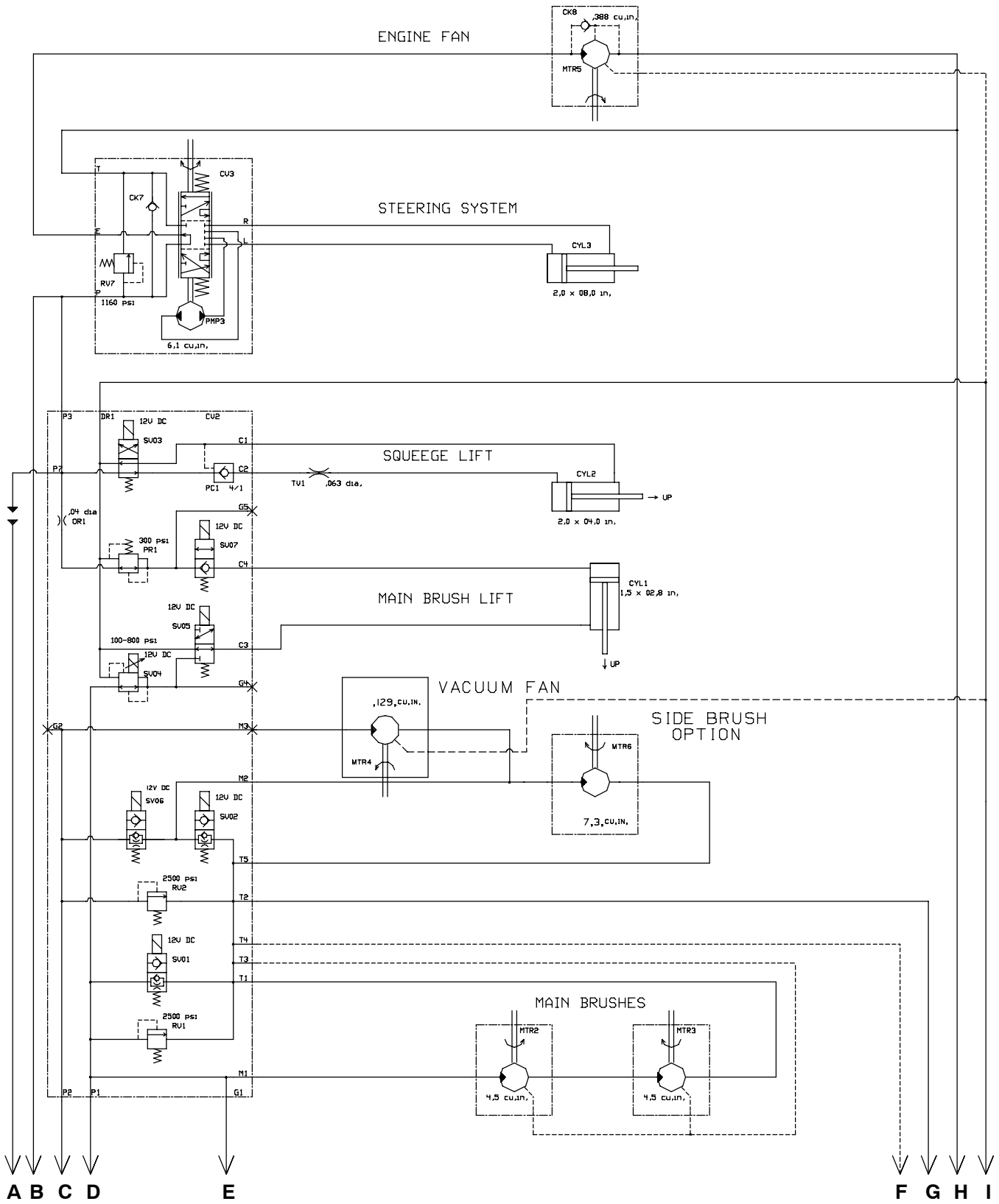


Fig. 32 - Hydraulic Schematic (000000-005613)



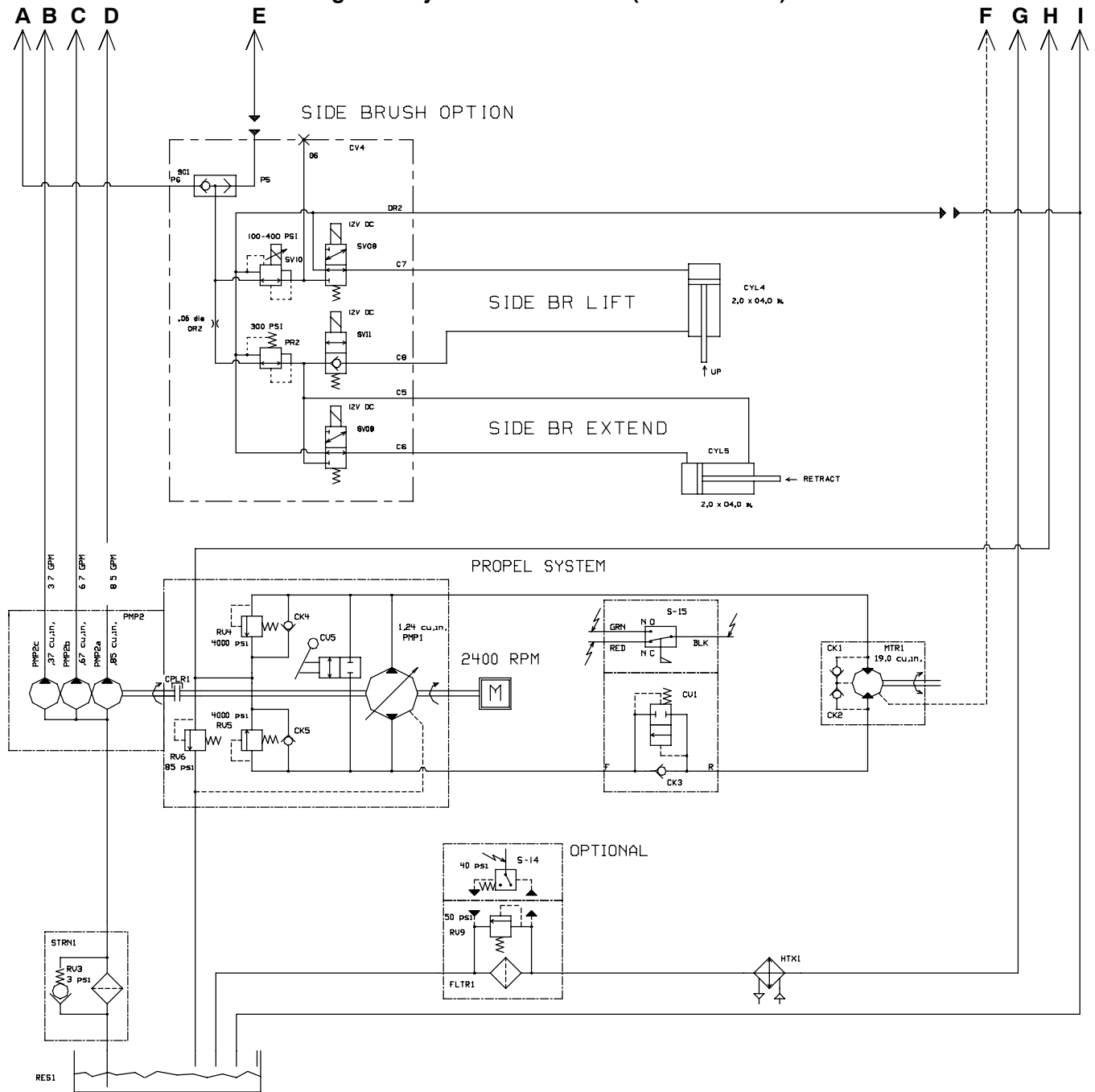
71700, 10794 - All

**Fig. 33 - Hydraulic Schematic (005614- )**



71700, 10794 - All

Fig. 33 - Hydraulic Schematic (005614- )



71700, 10794 - All

Fig. 34 - Hydraulic Hose Group

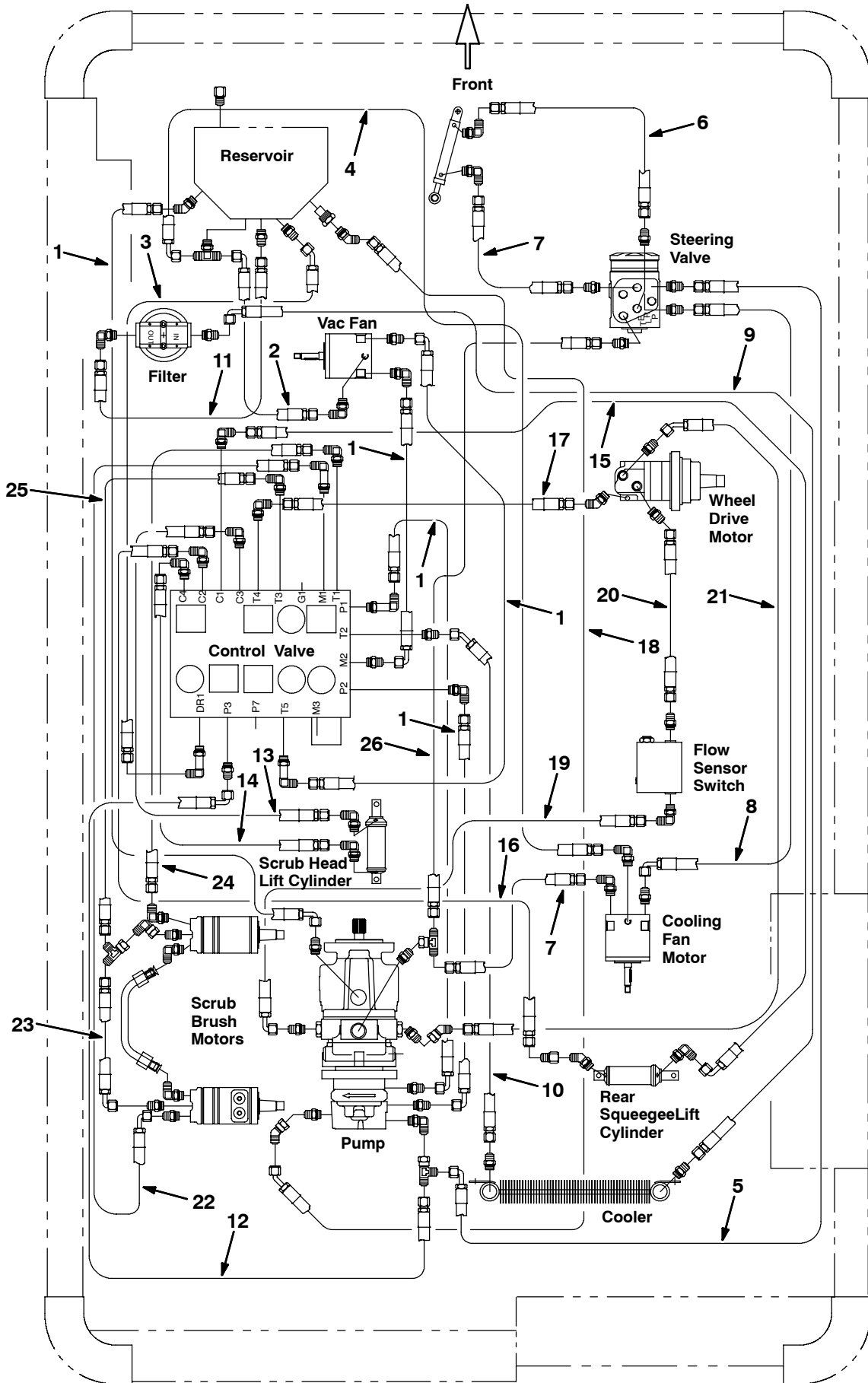




Fig. 34 - Hydraulic Hose Group

Ref.	Part No.	Serial Number	Description	Qty.
1	34355	(000000-	) Hose-Hyd Med08 Jf/J9	5
2	57964	(000000-	) Hose-Hyd Med04 Jf/J9	1
3	59567	(000000-	) Hose-Hyd Med06	1
4	34379	(000000-	) Hose-Hyd Med04 Jf/J9	1
5	71733	(000000-	) Hose-Hyd Med06	1
6	62100	(000000-	) Hose-Hyd Med06 Jf/Jf	1
7	49943	(000000-	) Hose-Hyd Med06 Jf/Jf	2
8	59561	(000000-	) Hose-Hyd	1
9	31610	(000000-	) Hose-Hyd Med12 Jf/J9	1
10	71737	(000000-	) Hose-Hyd Med12	1
11	71736	(000000-	) Hose-Hyd Med12	1
12	71735	(000000-	) Hose-Hyd Med06	1
13	55700	(000000-	) Hose-Hyd Med04 Jf/Jf	1
14	55691	(000000-	) Hose-Hyd Med04 Jf/Jf	1
15	82817	(000000-	) Hose-Hyd Med04 Jf/J9	1
16	71754	(000000-	) Hose-Hyd	1
17	77306	(000000-	) Hose-Hyd Med04	1
18	71738	(000000-	) Hose-Hyd Suc20	1
19	71744	(000000-	) Hose-Hyd Ar10	1
20	71742	(000000-	) Hose-Hyd Ar10	1
21	71743	(000000-	) Hose-Hyd	1
22	71741	(000000-	) Hose-Hyd Ar 08	1
23	71745	(000000-	) Hose-Hyd	1
24	71740	(000000-	) Hose-Hyd Ar08	1
25	71739	(000000-	) Hose-Hyd Ar 04	1
26	56555	(000000-	) Hose-Hyd Med06 Jf/Jf	1

Fig. 35 - Hydraulic Pumps Group

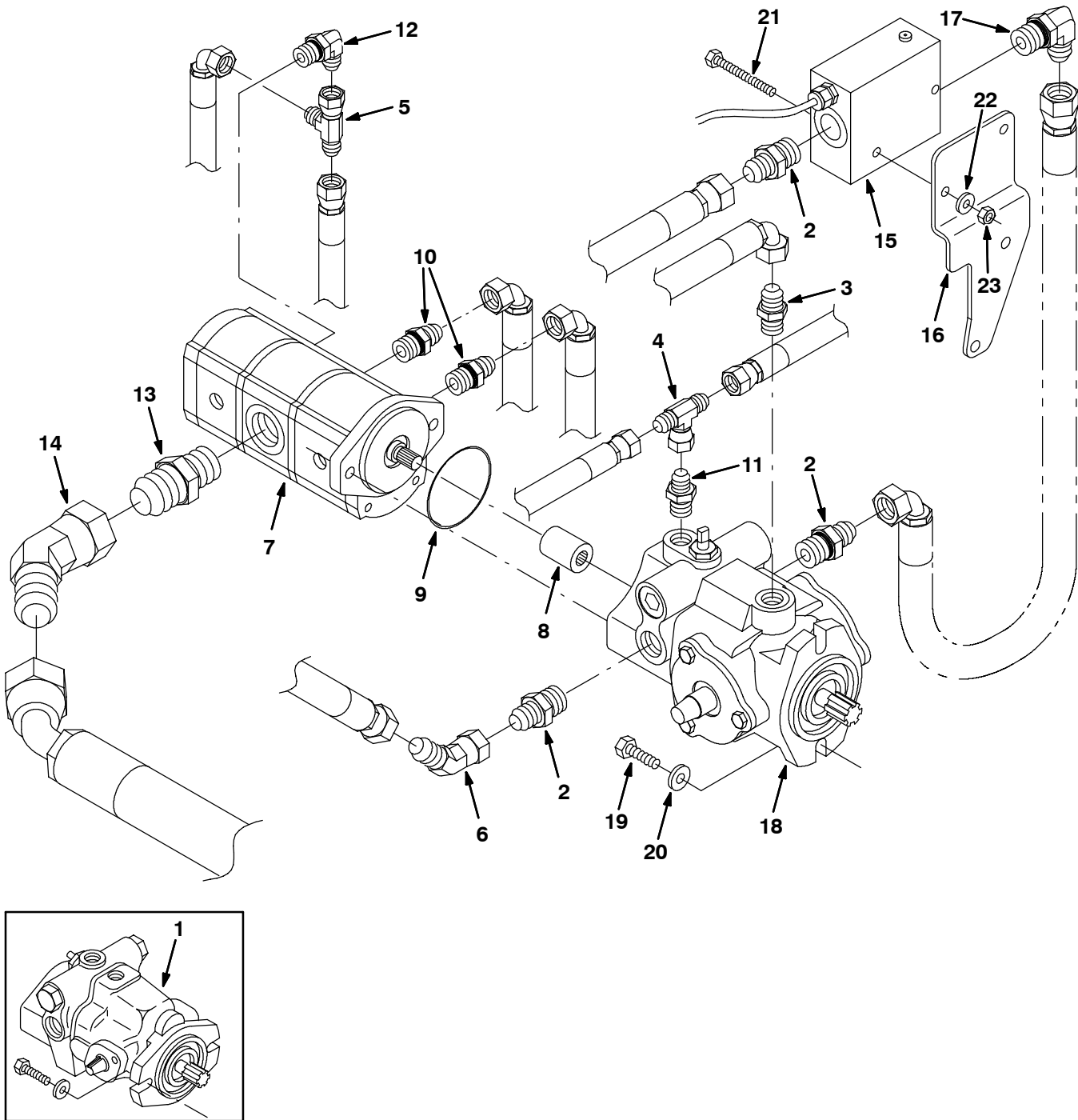


Fig. 35 - Hydraulic Pumps Group

Ref.	Part No.	Serial Number	Description	Qty.
1	71720	(000000-006999 )	Pump, Hyd Piston V 1.24 R 4000 (See Breakdowns)	1
2	42223	(000000- )	Ftg-Hyd Str Jm10/Om12	3
3	44869	(000000- )	Ftg-Hyd Str Jm08/Om08	1
4	35586	(000000- )	Ftg-Hyd Tee Jm06Jfjm	1
5	42215	(000000- )	Ftg-Hyd Tee Jm06Jmjf	1
6	54017	(000000- )	Ftg-Hyd E45 Jm10/Jf10	1
7	71716	(000000- )	Pump, Hyd (See Breakdowns)	1
8	71721	(000000- )	Coupler, Hyd Pump	1
9	65145-1	(000000- )	O-Ring Gland	1
10	56692	(000000- )	Ftg-Hyd Str Jm08/Om10	2
11	52402	(000000- )	Ftg-Hyd Str Jm06/Om08	1
12	47512	(000000- )	Ftg-Hyd E90 Jm06/Om08	1
13	67811	(000000- )	Ftg-Hyd Str Jm20/Om16	1
14	19544	(000000- )	Ftg-Hyd E45	1
15	73430	(000000- )	Switch, Hyd Flow Sensor (See Breakdowns)	1
16	71723	(000000- )	Bracket, Mtg, Flow Switch	1
17	53076	(000000- )	Ftg-Hyd E90 Jm10/Om12	1
18	373453	(007000- )	Pump, Hyd Piston [V] 1.24 [R] 4000 (See Breakdowns)	1
19	21198	(000000- )	Screw, Hex, .38-16 X 1.25, 5	2
20	32485	(000000- )	Washer, Flat, .38 Sae	2
21	39279	(000000- )	Screw, Hex, M 8 X 1.25 X 70, 8.8	2
22	39349	(000000- )	Washer, Flat, 0.31 Sae	2
23	08709	(000000- )	Nut, Hex, Lock, M 8 X 1.25 NI	1

Fig. 36 - Hydraulic Valve Group

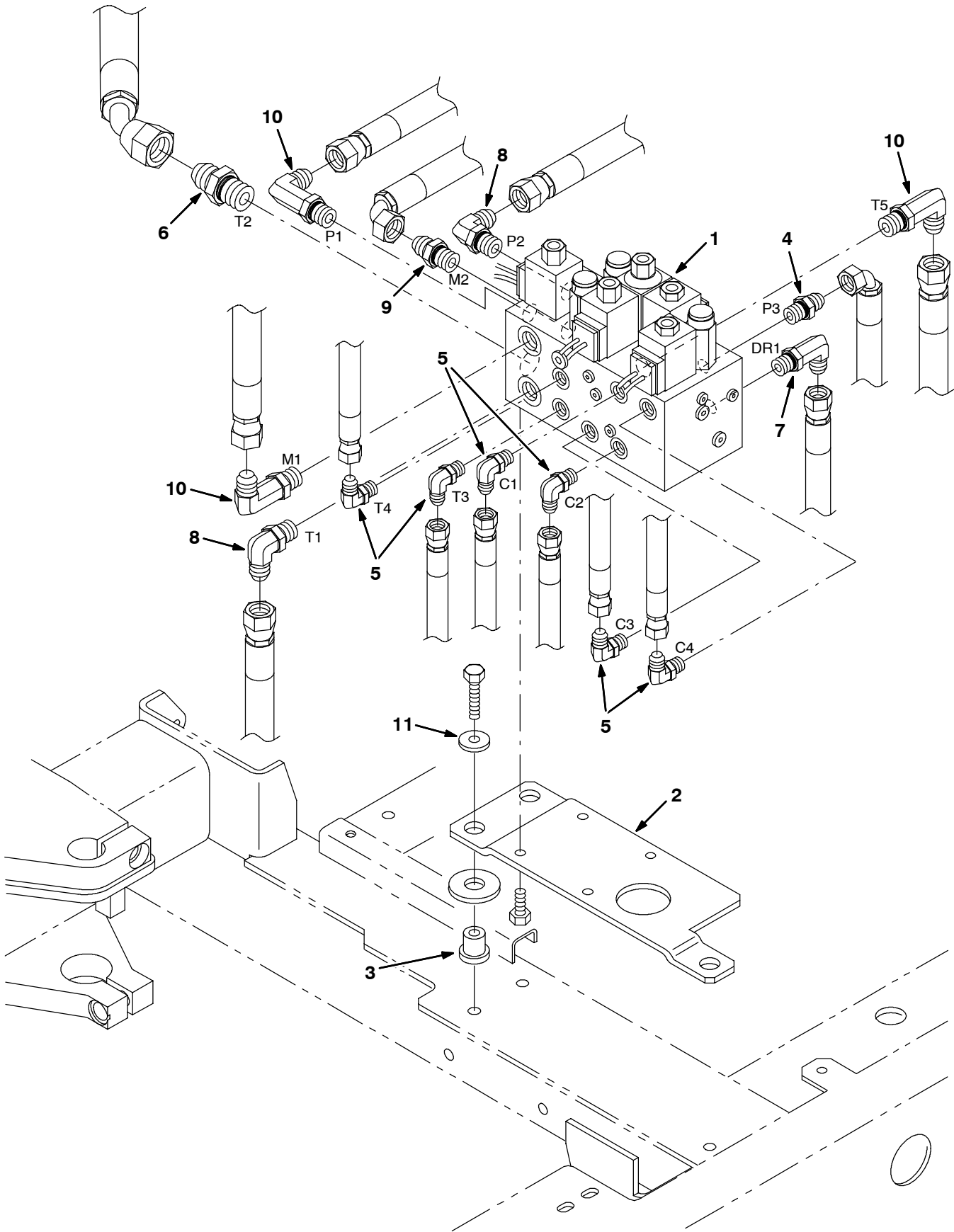


Fig. 36 - Hydraulic Valve Group

Ref.	Part No.	Serial Number	Description	Qty.
1	71705	(000000-	) Valve, Hyd Cntrl Sol (See Breakdowns)	1
1	71761	(000000-	) Valve Assy, Nylon Brush (See Breakdowns)	1
2	71409	(000000-	) Bracket, Mtg, Valve	1
3	54274	(000000-	) Isolator-Vibration, 125Lb. Ratng	3
4	56690	(000000-	) Ftg-Hyd Str Jm06/Om06	1
5	77097	(000000-	) Ftg-Hyd E90 Jm04/Om04	6
6	42260	(000000-	) Ftg-Hyd Str Jm12/Om12	1
7	71727	(000000-	) Fitting-Hyd E90	1
8	44868	(000000-	) Ftg-Hyd E90 Jm08/Om08	2
9	44869	(000000-	) Ftg-Hyd Str Jm08/Om08	1
10	69173	(000000-	) Ftg-Hyd E90 Jm08/Om08	3
11	13248	(000000-	) Washer .400B 1.12D .12Cr Znc	3

*Note: Scrub Brushes Must Be Matched With Proper Hydraulic Cartridge.*

Fig. 37 - Hydraulic Reservoir Group

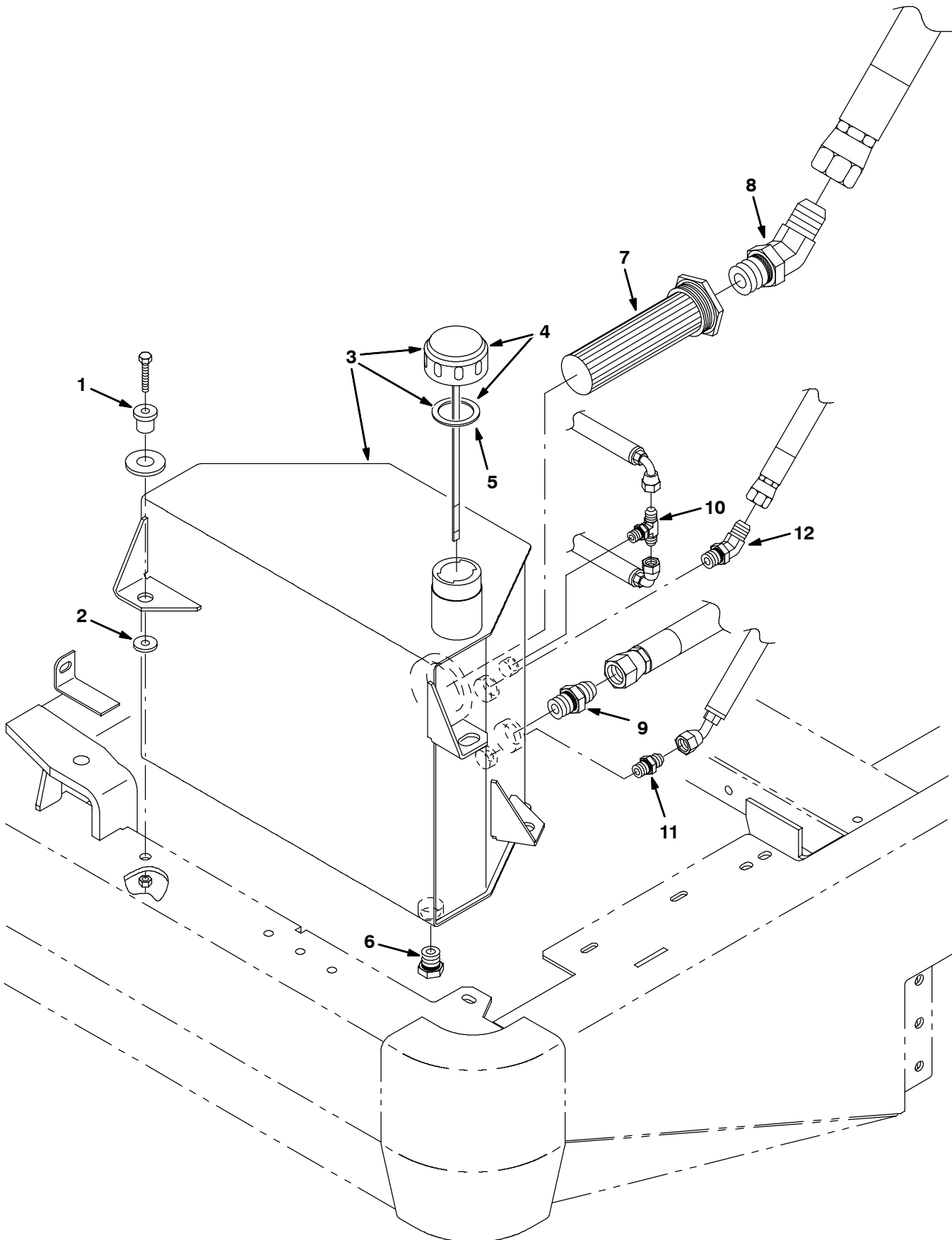


Fig. 37 - Hydraulic Reservoir Group

Ref.	Part No.	Serial Number	Description	Qty.	
1	54274	(000000-	) Isolator-Vibration,125Lb.Ratng	3	
2	13248	(000000-	) Washer .400B 1.12D .12Cr Znc	3	
▽	3	71702	(000000-	) Reservoir, Hyd 10.0Gal	1
▲▽	4	71728	(000000-	) Cap, Hyd, Breather 40Mic 7.0Ds	1
▲▲	5	70006	(000000-	) Gasket, Hyd Cap	1
6	40362	(000000-	) Ftg-Hyd Plg Om10	1	
7	31613	(000000-	) Strainer-Hyd Suction 25-100-03	1	
8	71726	(000000-	) Fitting-Hyd E45	1	
9	42260	(000000-	) Ftg-Hyd Str Jm12/Om12	1	
10	31599	(000000-	) Ftg-Hyd Tee Jm04Omjm	1	
11	56690	(000000-	) Ftg-Hyd Str Jm06/Om06	1	
12	42226	(000000-	) Ftg-E45 Jm08/Om08	1	

Fig. 38 - Hydraulic Filter and Cooler Group

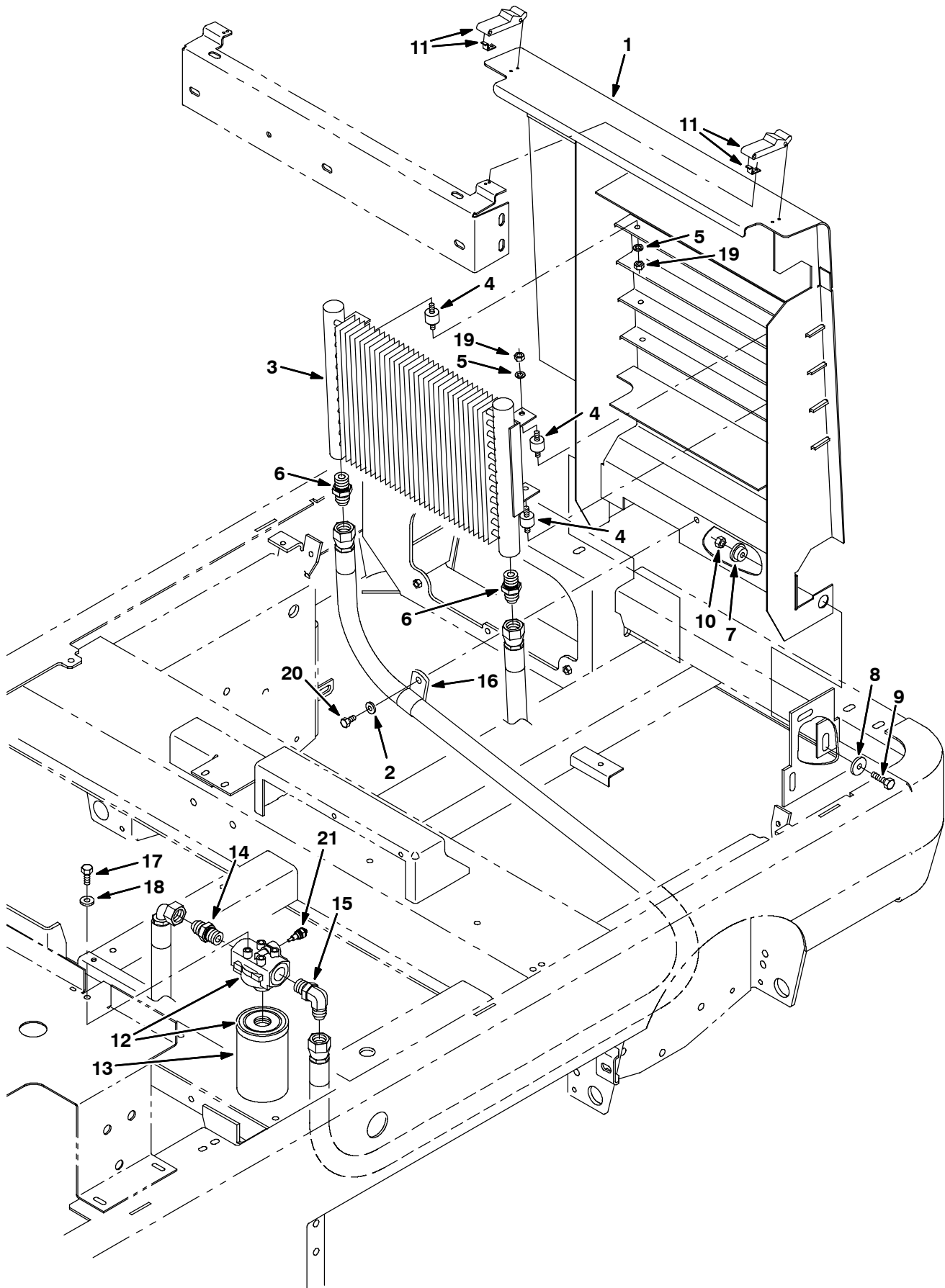




Fig. 38 - Hydraulic Filter and Cooler Group

Ref.	Part No.	Serial Number	Description	Qty.
1	71911	(000000-	) Grill Wldt	1
2	01685	(000000-	) Washer, Flat, 0.31 Ss	1
3	20862	(000000-	) Cooler, Hyd	1
4	51322	(000000-	) Isolator-Vibration .31-18	4
5	43952	(000000-	) Washer-Loc Int .31 Ss	8
6	42260	(000000-	) Ftg-Hyd Str Jm12/Om12	2
7	369845	(000000-	) Pivot, Flanged	2
8	36996	(000000-	) Washer	2
9	77347	(000000-	) Scr Hexssm 10X1.5 35	2
10	08714	(000000-	) Nut-Hxlocnyln M 10X1.5 Reg Ss	2
11	49800	(000000-	) Latch, Elastic	2
▽	12	10664	(000000-) Filter Assy, Spin-On	1
▲	13	65221	(000000-) Element, Filter	1
14	42260	(000000-	) Ftg-Hyd Str Jm12/Om12	1
15	46481	(000000-	) Ftg-Hyd E90 Jm12/Om12	1
16	58366	(000000-	) Clamp,Cable 1.25Dia 1.00W Neo	1
17	21195	(000000-	) Screw, Hex, .38-16 X 0.75, 5	2
18	41187	(000000-	) Washer, Belleville, .38	2
19	19313	(000000-	) Nut, Hex, Std, .31-18	8
20	16735	(000000-	) Screw, Hex, M 8 X 1.25 X 16, 8.8	1
21	65222	(000000-	) Send-unit, Fltr, Hyd (Option)	1

Fig. 39 - Electrical Schematic (000000-007548)

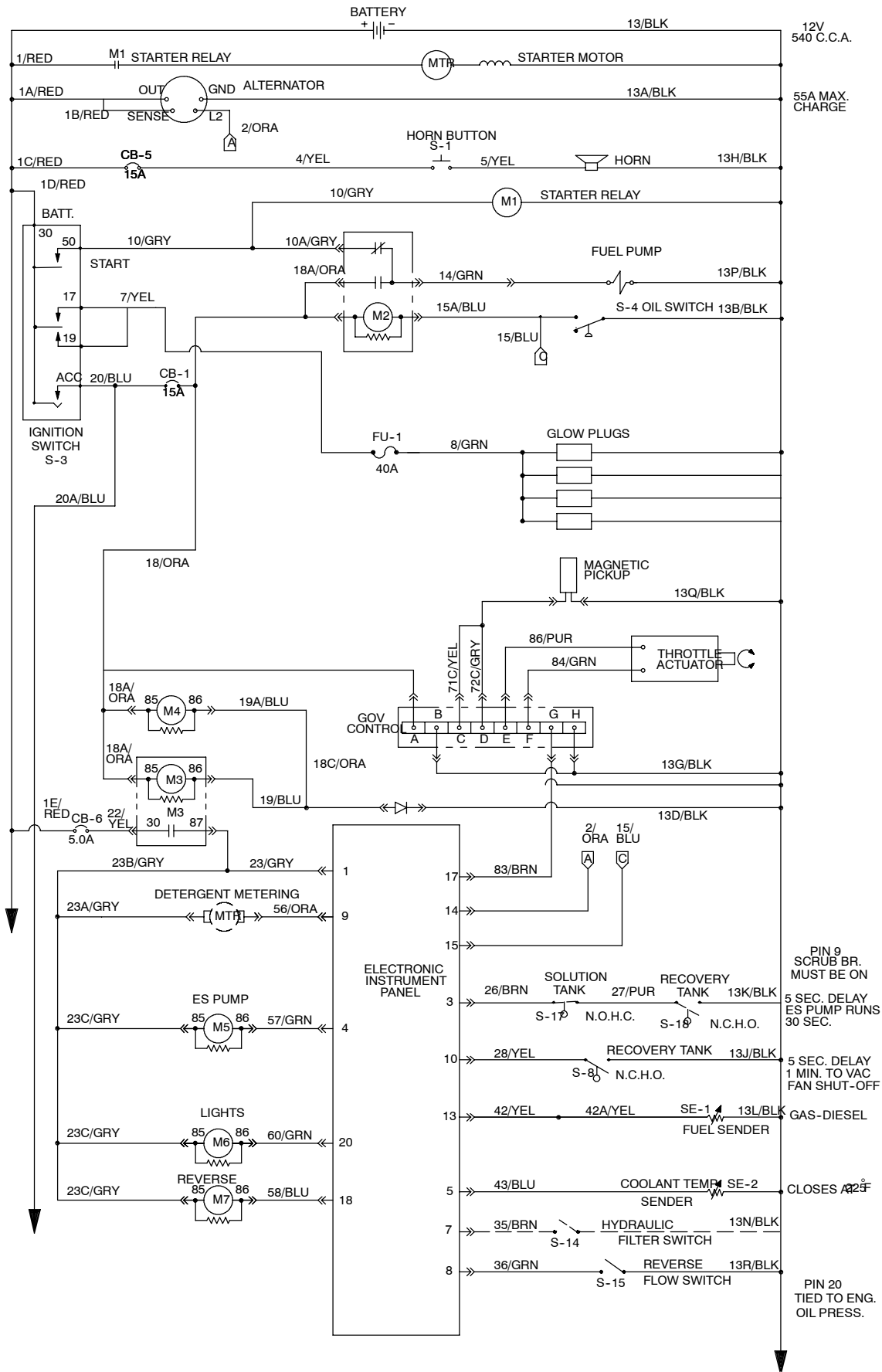


Fig. 39 - Electrical Schematic (000000-007548)

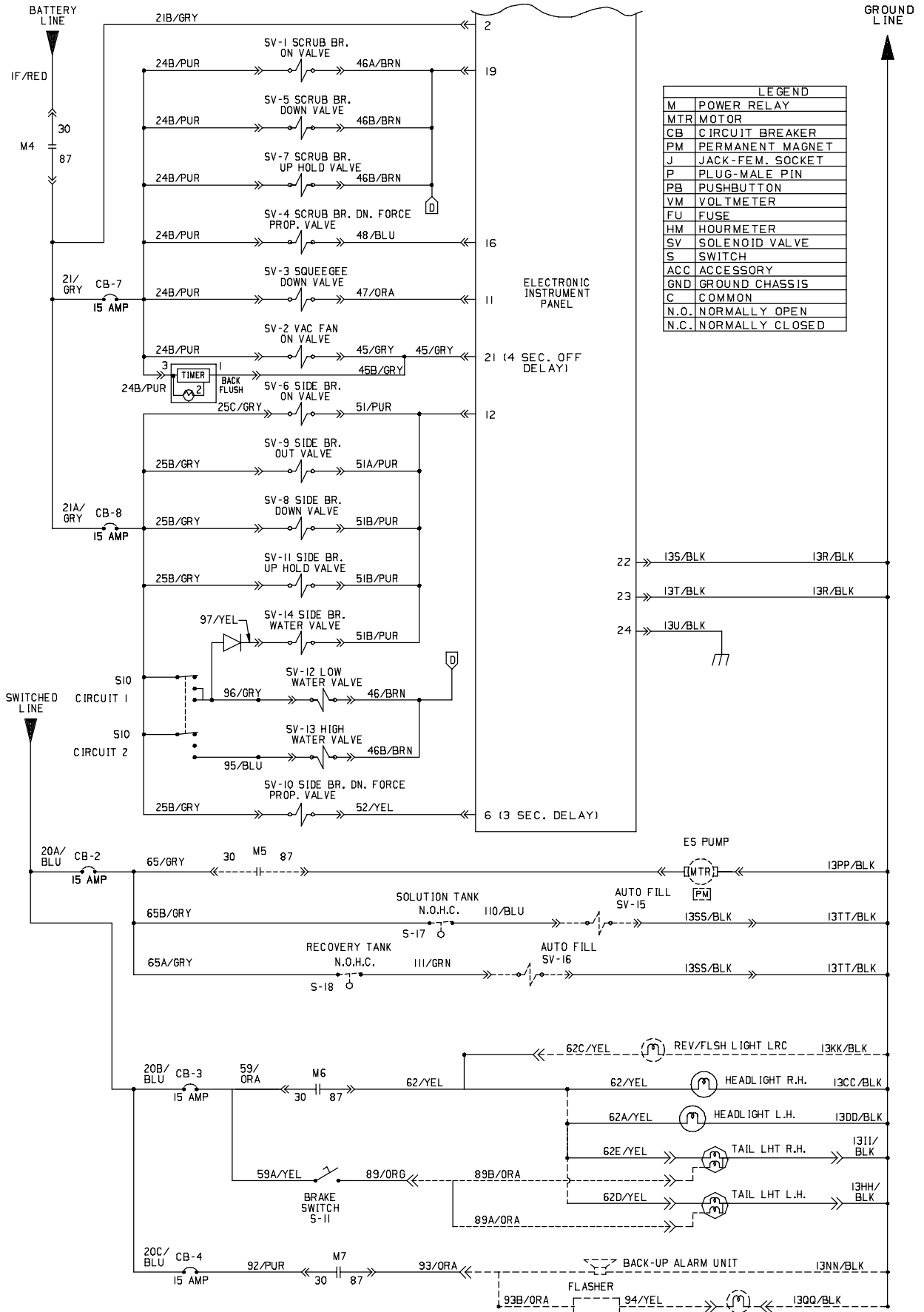




Fig. 40 - Electrical Schematic (007549- )

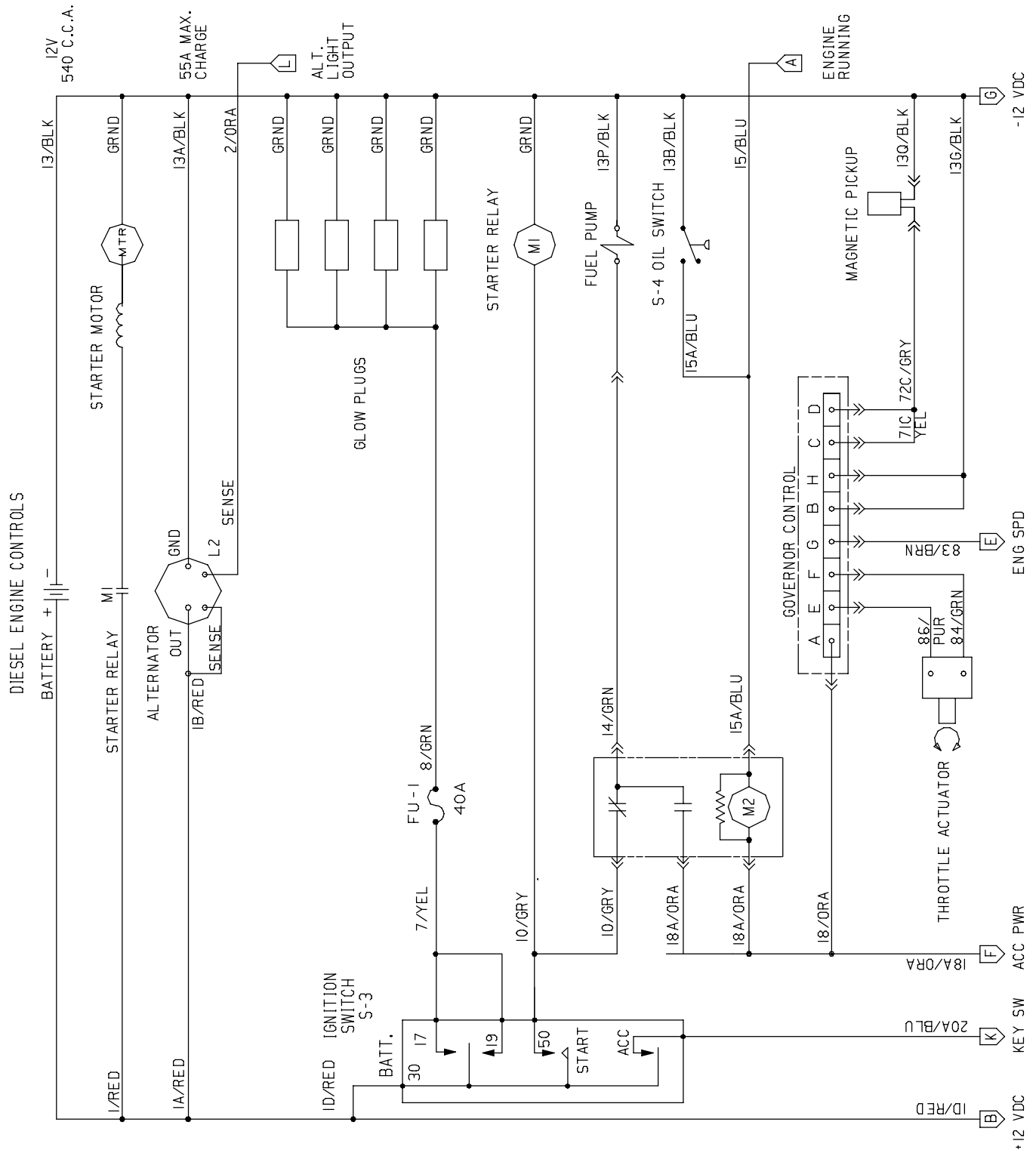


Fig. 40 - Electrical Schematic (007549- )

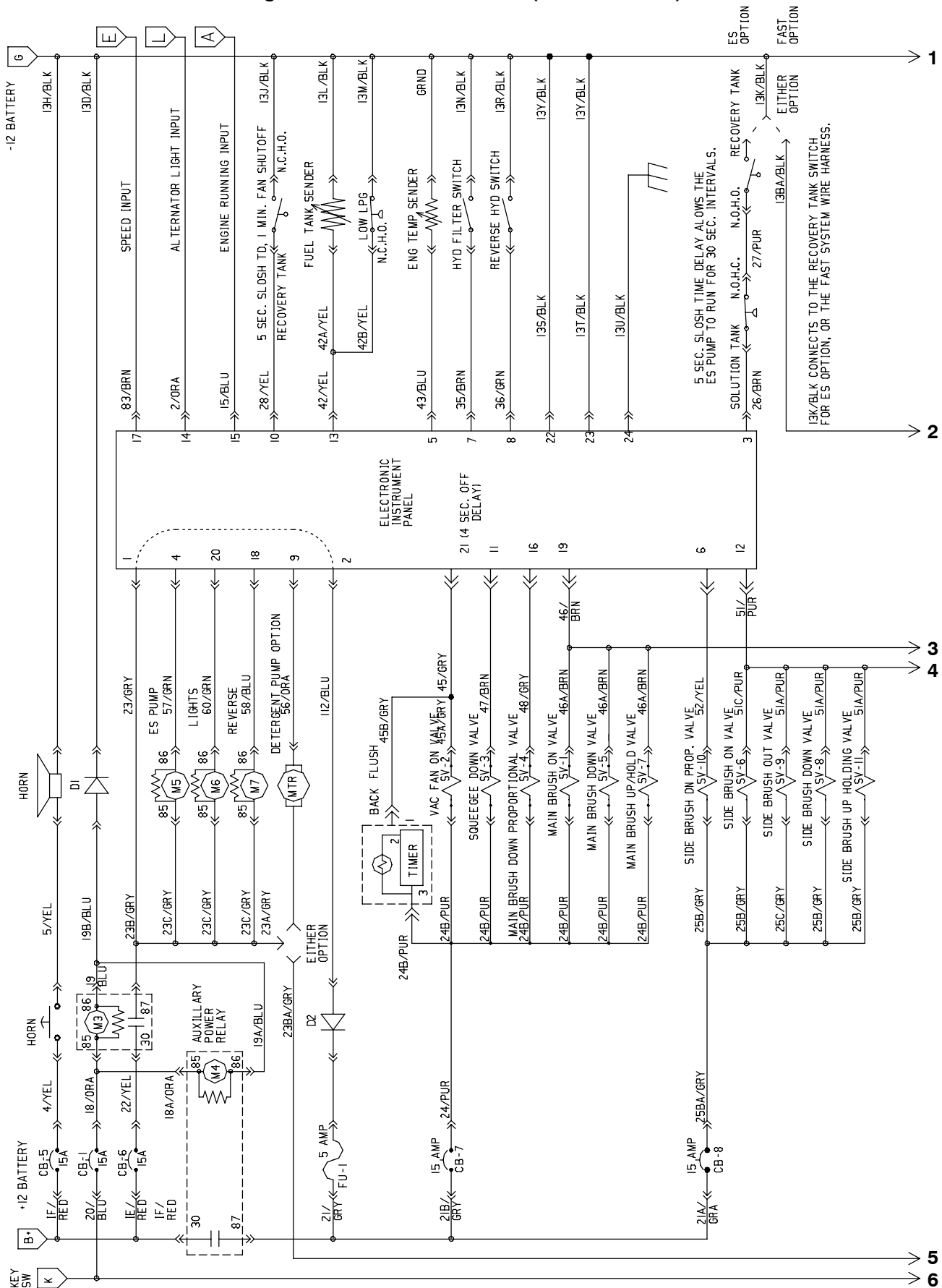
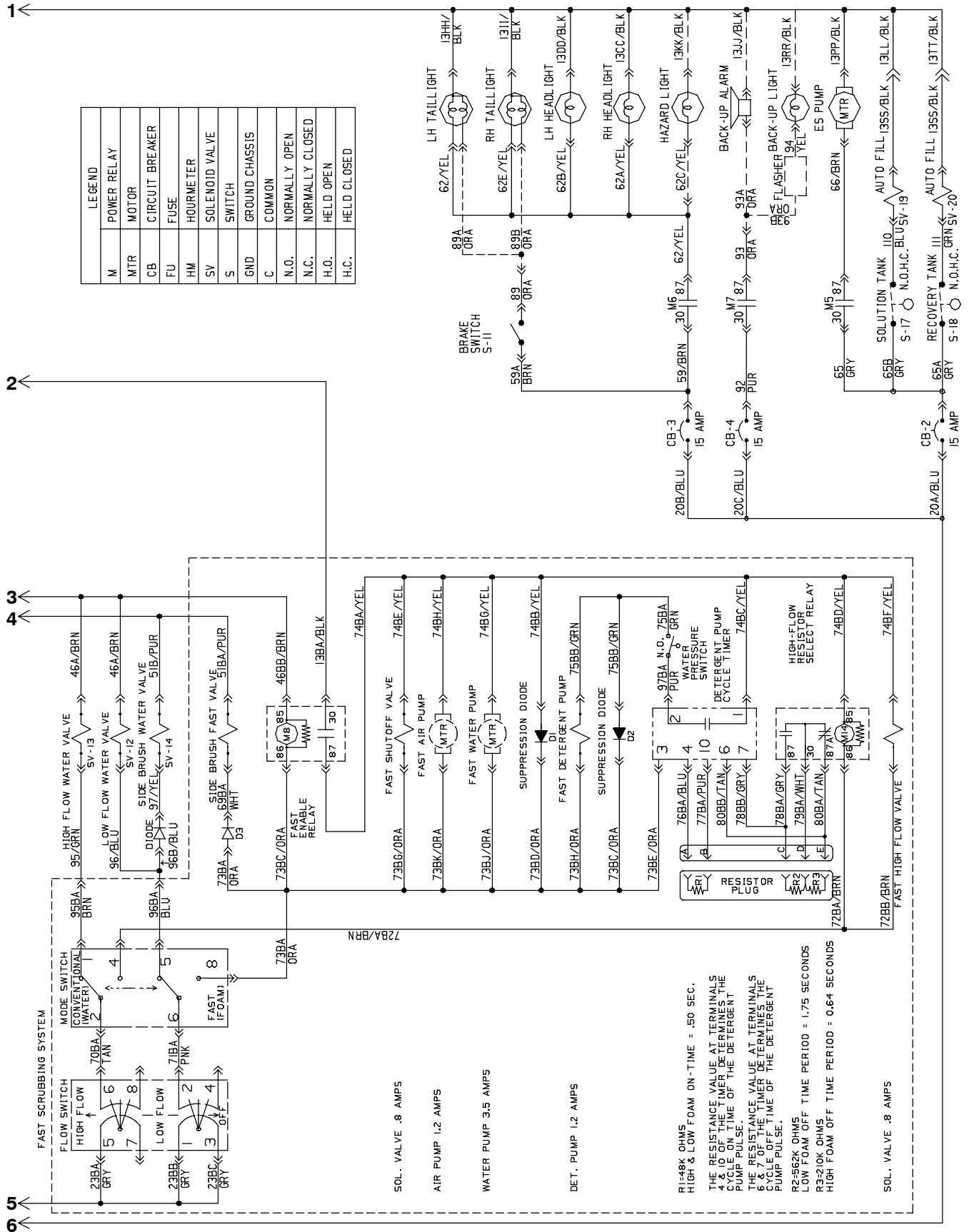
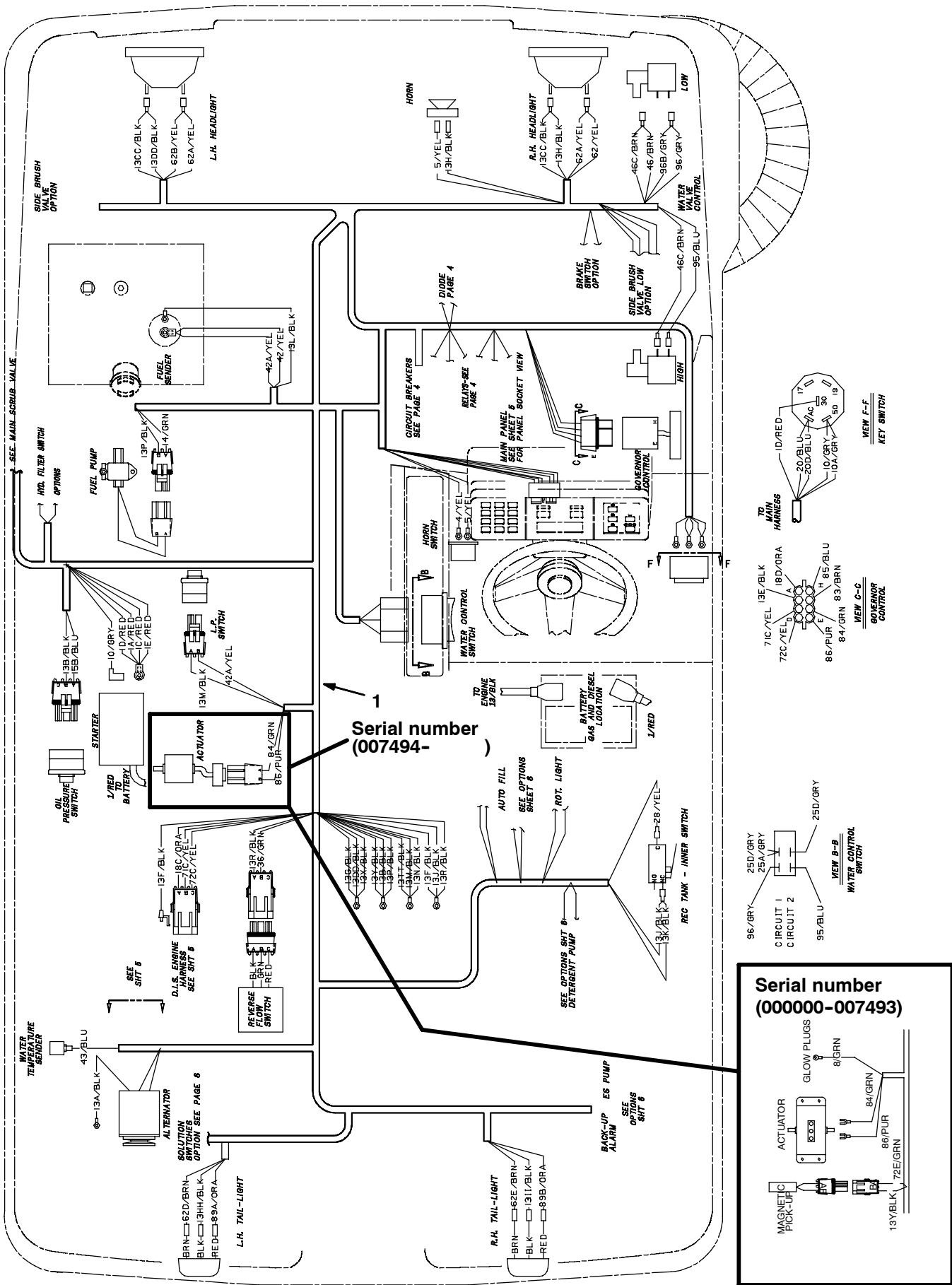


Fig. 40 - Electrical Schematic (007549- )



## Fig. 41 - Electrical Wire Harness Group





**Fig. 41 - Electrical Wire Harness Group**

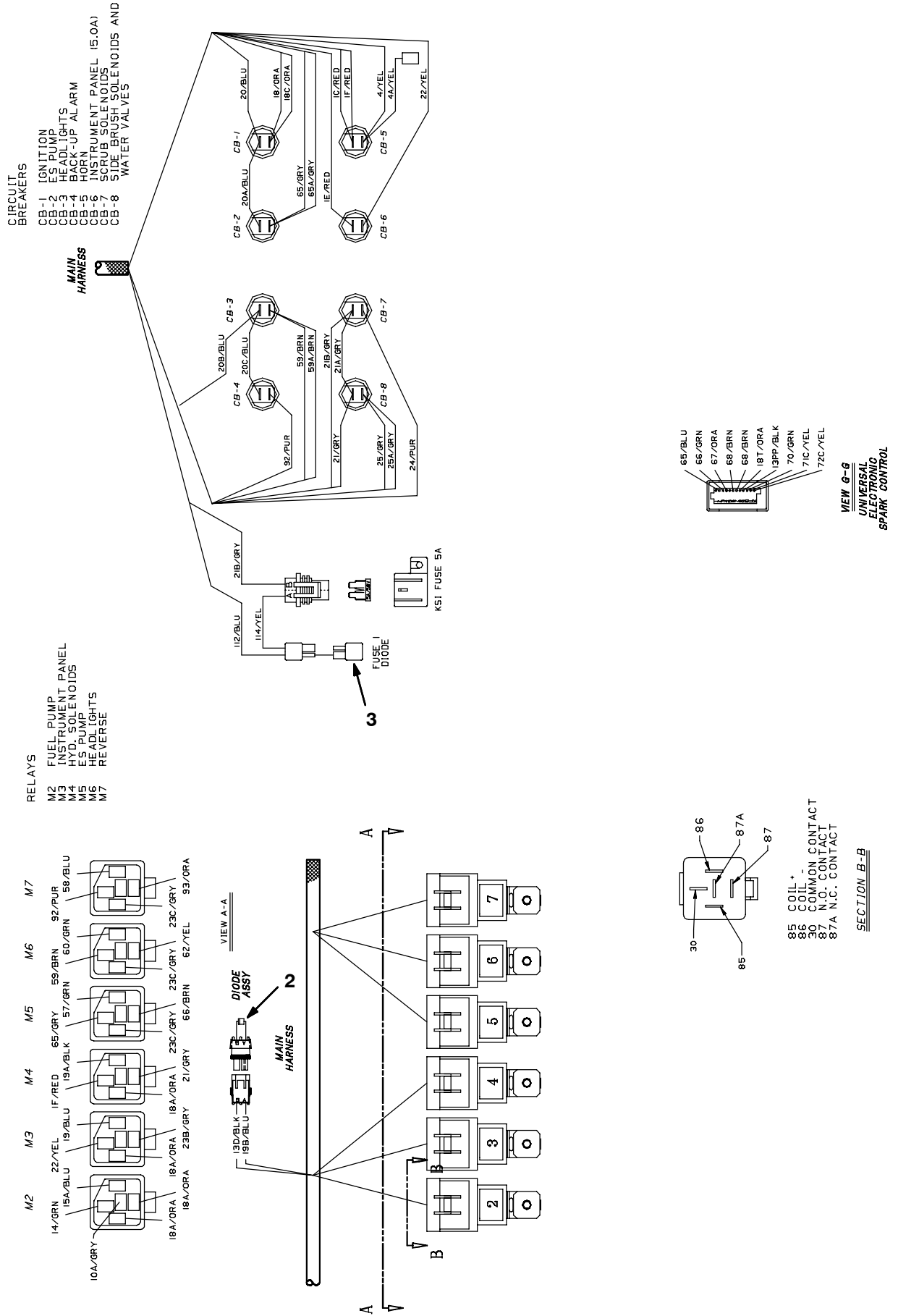
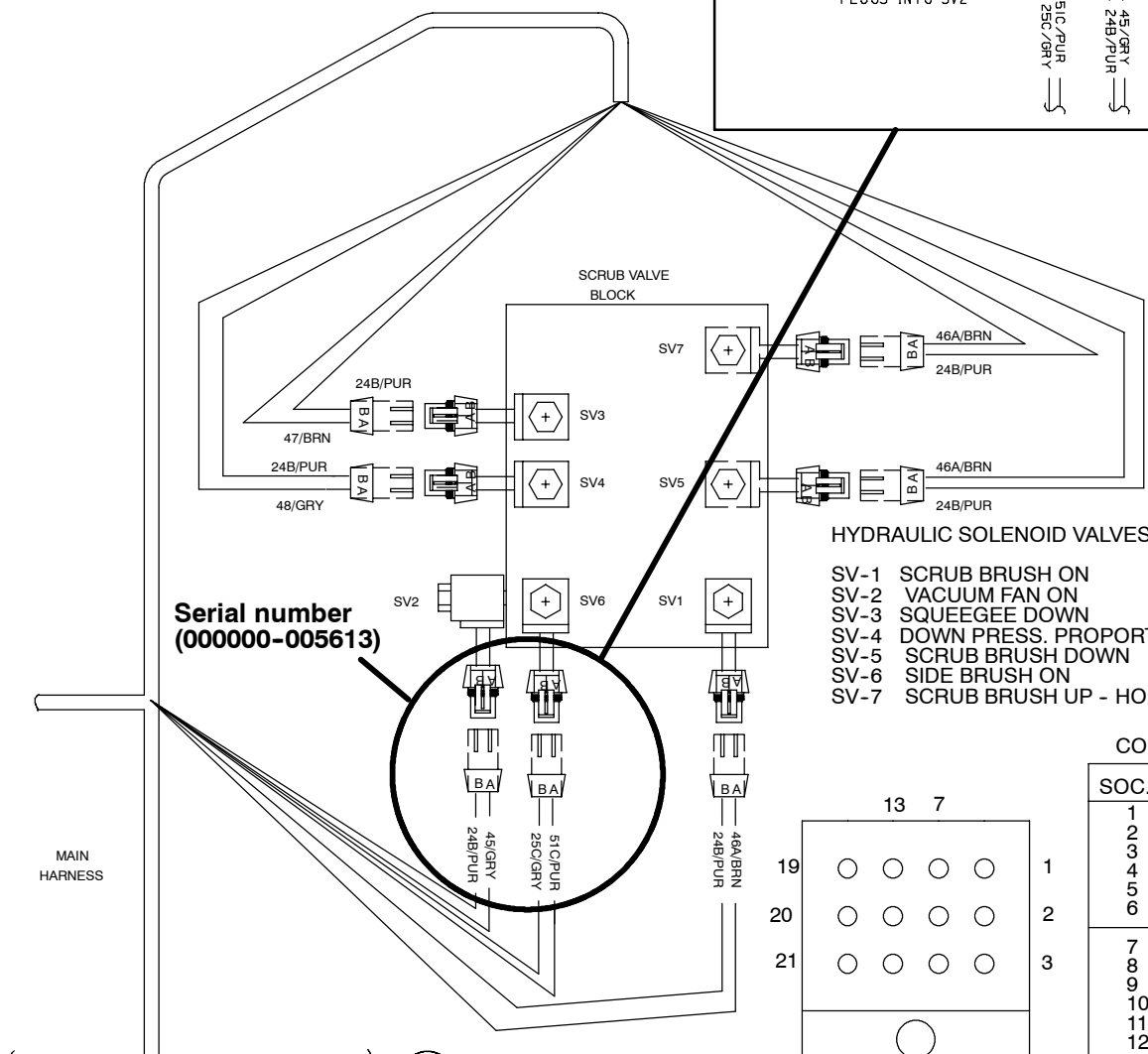
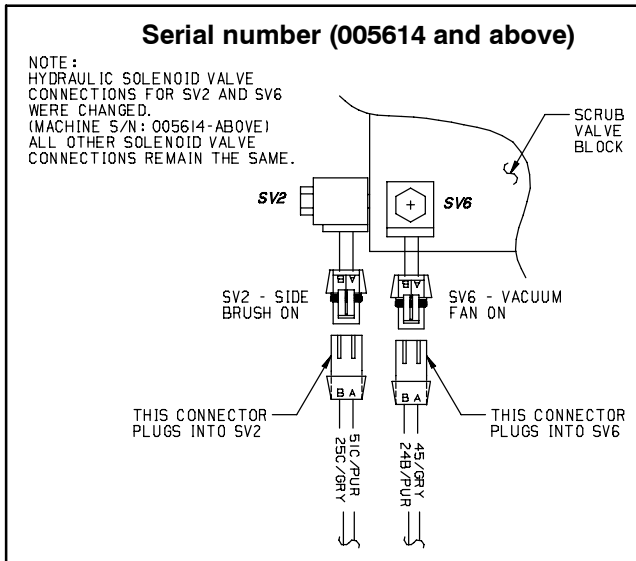




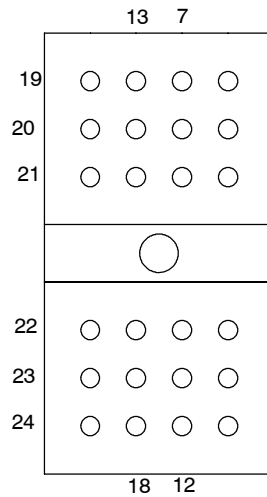
Fig. 41 - Electrical Wire Harness Group



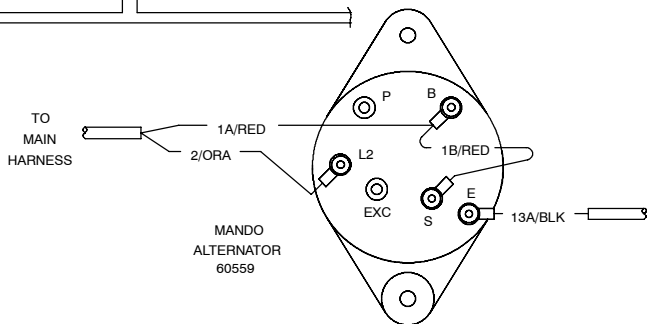
Serial number (00000-005613)

CONNECTOR WIRING

SOC. NO.	CONN. A.
1	23/GRY
2	21B/GRY
3	26/BRN
4	57/GRN
5	43/BLU
6	52/YEL
7	35/BRN
8	36/GRN
9	56/YEL
10	28/YEL
11	47/BRN
12	51/PUR
13	42/ORA
14	2/ORA
15	15/BLU
16	48/GRY
17	83/BRN
18	58/BLU
19	46/BRN
20	60/GRN
21	45/GRY
22	13U/BLK
23	13T/BLK
24	13S/BLK



MAIN INSTRUMENT PANEL SOCKET REAR VIEW



**Fig. 41 - Electrical Wire Harnesses Group**

<b>Ref.</b>	<b>Part No.</b>	<b>Serial Number</b>	<b>Description</b>	<b>Qty.</b>
1	71626	(000000-	) Harness, Main D 7400	1
2	73445	(000000-	) Diode Assy	2
3	222290	(000000-	) Diode, Ele, Plug	1



Fig. 42 - Scrub Head Lift Group

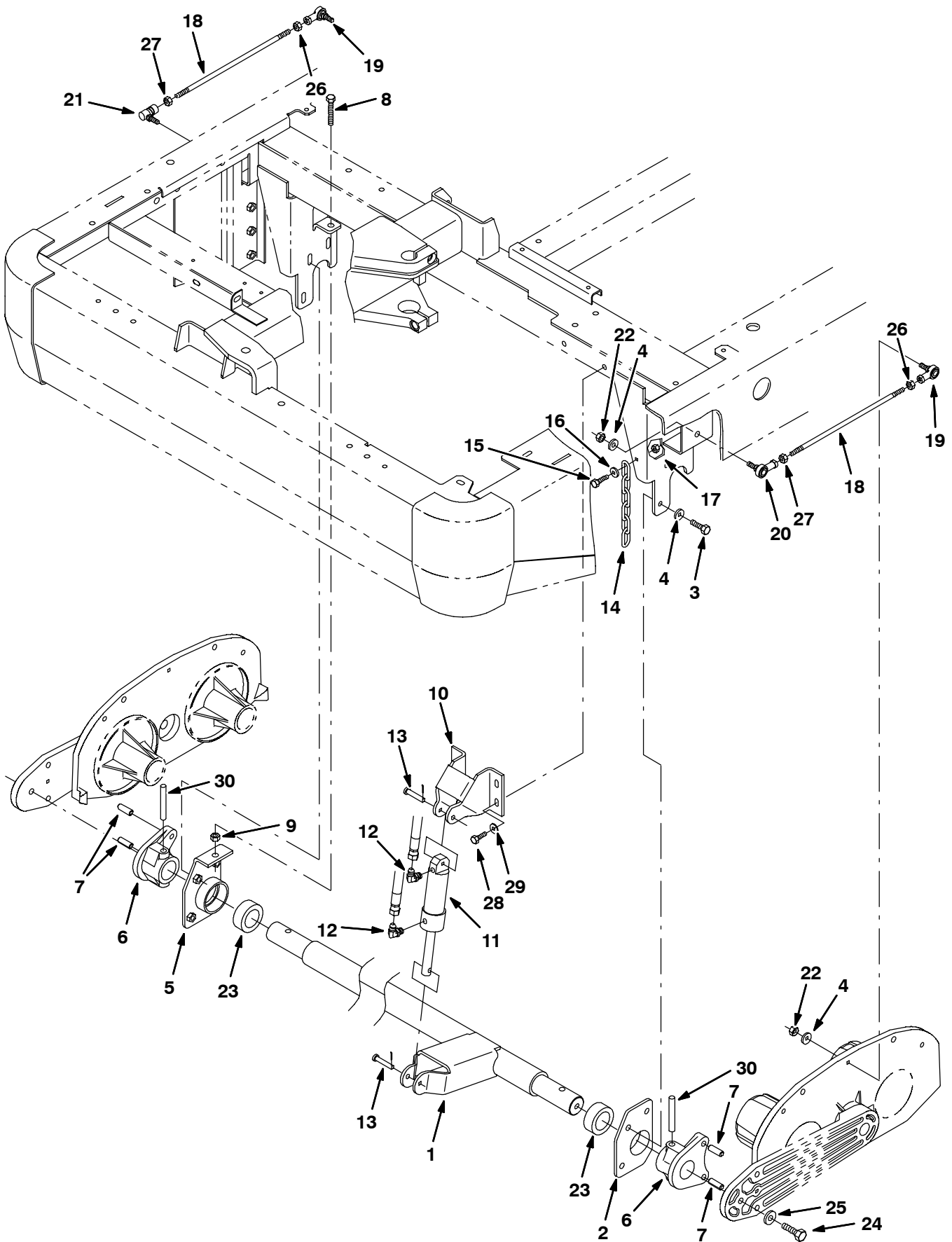


Fig. 42 - Scrub Head Lift Group

Ref.	Part No.	Serial Number	Description	Qty.	
1	56139	(000000-	) Shaft Wldt, Torque	1	
2	56137	(000000-	) Housing Wldt, Bearing Lh	1	
3	09028	(000000-	) Scr Hexssm 10X1.5 25	6	
4	01686	(000000-	) Washer Flt .38 Ss	10	
5	56136	(000000-	) Housing Wldt, Bearing Rh	1	
▽	6	56103	(000000-	) Hub Assy, Mounting, Brush	2
▲	7	56106	(000000-	) Pin, Dowel, 0.5002 D X 1.50 L	2
8	06419	(000000-	) Scr-Hex Ssm10X1.5 70 Full Thd	1	
9	07787	(000000-	) Nut Hx Std Ss M10X1.5	1	
10	25684	(000000-	) Bracket, Cylinder	1	
11	379030	(000000-	) Cylinder, Hyd 1.5B 02.8S 2500	1	
12	77097	(000000-	) Ftg-Hyd E90 Jm04/Om04	2	
13	94877	(000000-	) Pin, Clevis 10D X 50L	2	
14	48183	(000000-	) Chain,Link#2/0,11Links,Zinc Pl	1	
15	09011	(000000-	) Scr Hexssm 8X1.25 30	1	
16	01685	(000000-	) Washer Flt .31 Ss	1	
17	08713	(000000-	) Nut-Hxlocnyln M 8X1.25 Reg Ss	1	
18	56077	(000000-	) Rod, 3/8-24 Rh/Lh Thread	2	
19	86780	(000000-	) Rod End .375-24 Lh W/Stud	2	
20	86781	(000000-	) Rod End .375-24 W/Stud	1	
21	63282	(000000-	) Ball Joint .375-24 Quick/Disc	1	
22	50269	(000000-	) Nut Hxlocnyln .38-24 Reg5518-8	4	
23	56096	(000000-	) Bearing, Nylon	2	
24	06981	(000000-	) Scr Hex M16X2.0 40	2	
25	32494	(000000-	) Washer Flt .62 Hard	2	
26	82899	(000000-	) Nut, Hex, Jam, .38-24, Lh	2	
27	20171	(000000-	) Nut, Hex, Jam, .38-24	2	
28	16931	(000000-	) Screw, Hex, M8 X 1.25 X 20, 8.8	4	
29	32491	(000000-	) Washer, Flat, 0.31 Std	4	
30	56167	(000000-	) Pin, Dowel, .50, 3.5L	2	

Fig. 43 - Scrub Brush Housing Group

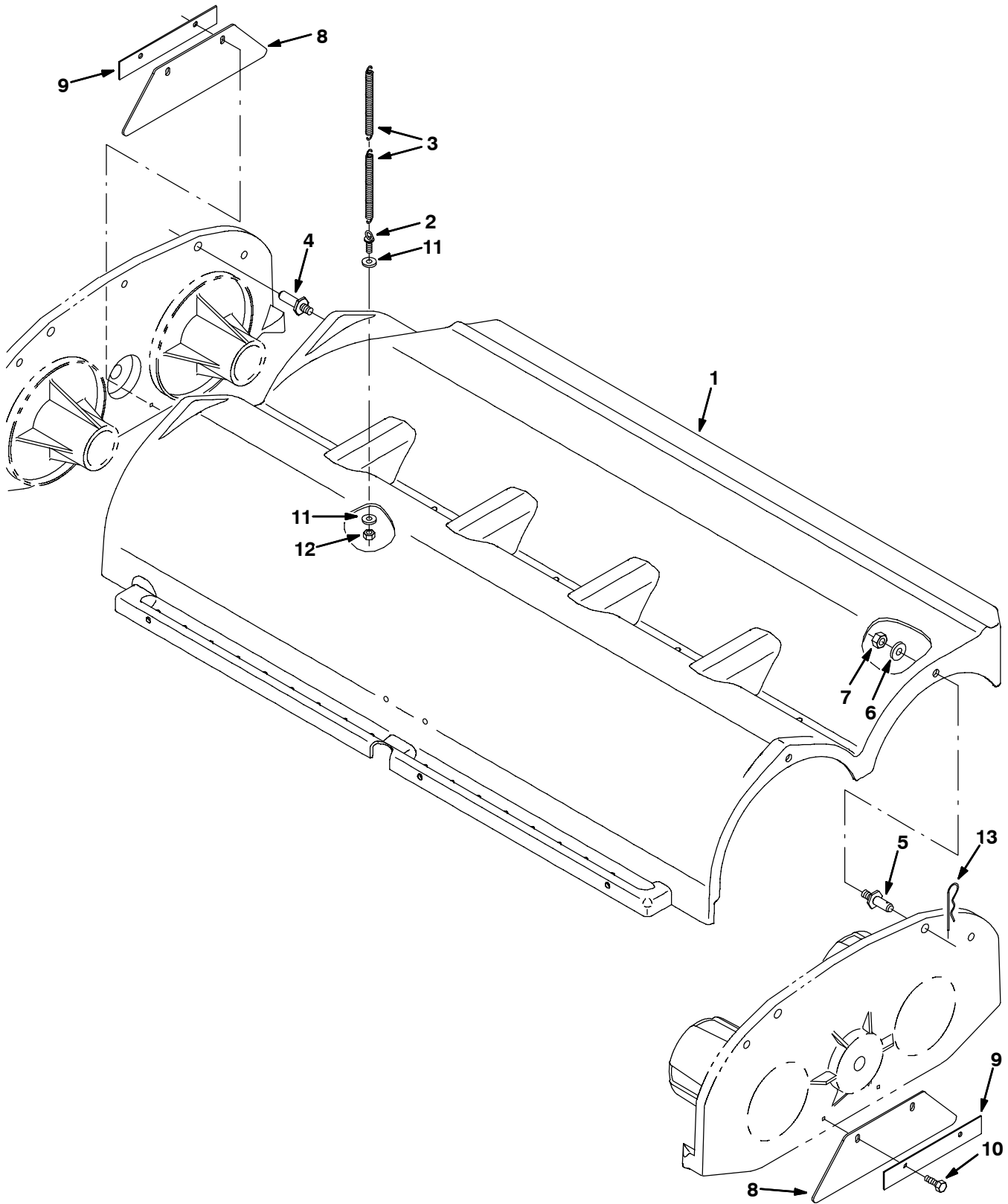
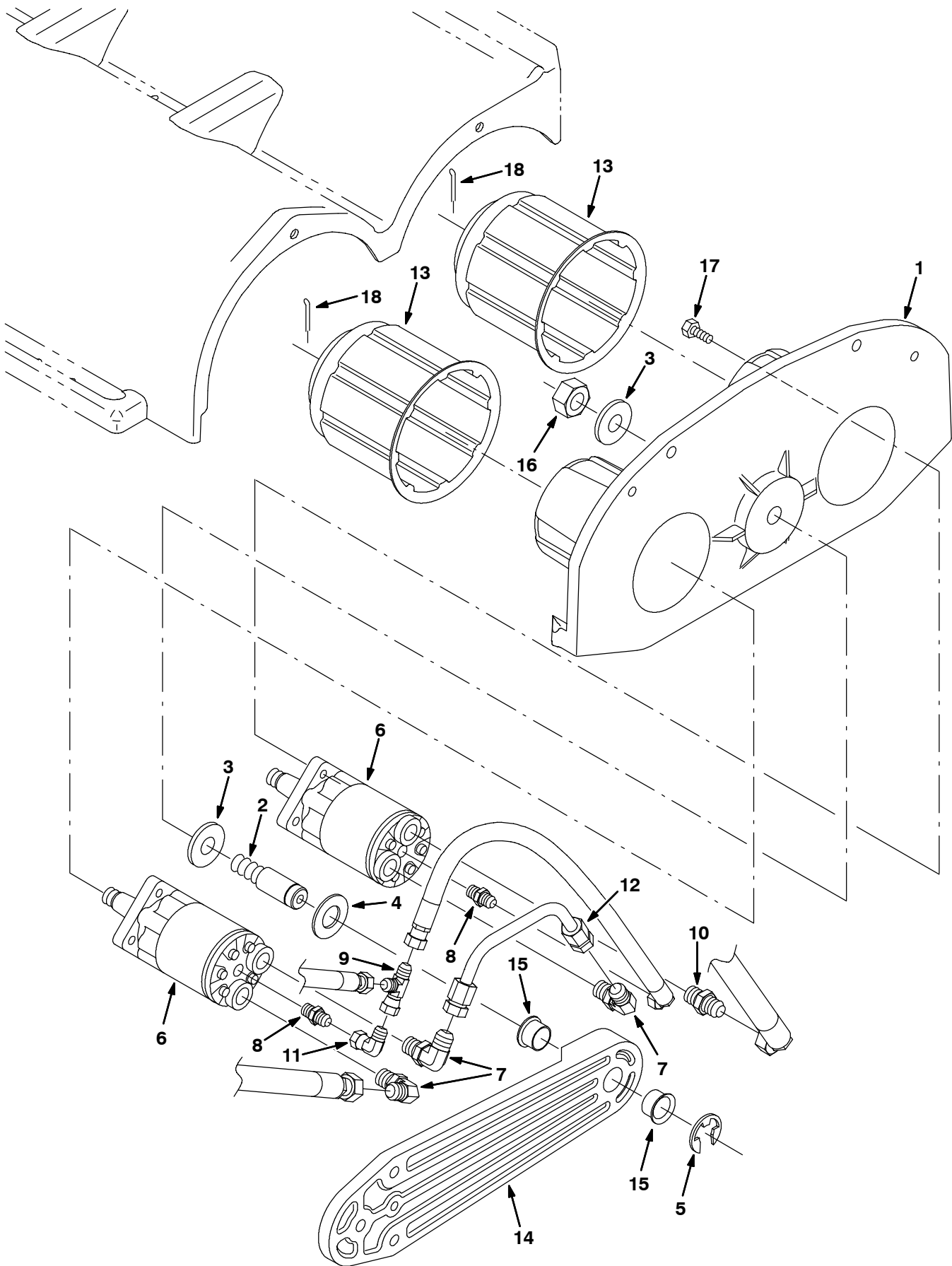




Fig. 43 - Scrub Brush Housing Group

Ref.	Part No.	Serial Number	Description	Qty.
1	391944	(000000-	) Housing, Brush	1
2	48079	(000000-	) Bolt-Eye, .25-20Th .25B 1.4L	1
3	36542	(000000-	) Sprng, Tens, 0.38Odx.06Wire 6.0L	2
4	71630	(000000-	) Pin, Guide	1
5	56149	(000000-	) Pin, Guide	3
6	01686	(000000-	) Washer Flt .38 Ss	4
7	08714	(000000-	) Nut-Hxlocnyln M10X1.5 Reg 18-8	4
8	71200	(000000-	) Skirt, Brush Arm	2
9	71201	(000000-	) Retainer, Skirt, Brush	2
10	09007	(000000-	) Screw, Hex, M06 X 1.0 X 25, Ss	4
11	32490	(000000-	) Washer, Flt, .25 Std	2
12	32491	(000000-	) Washer, Flt, .31 Std	1
13	05286	(000000-	) Pin, Hair Cotter	2

Fig. 44 - Scrub Brush Drive Motor Group

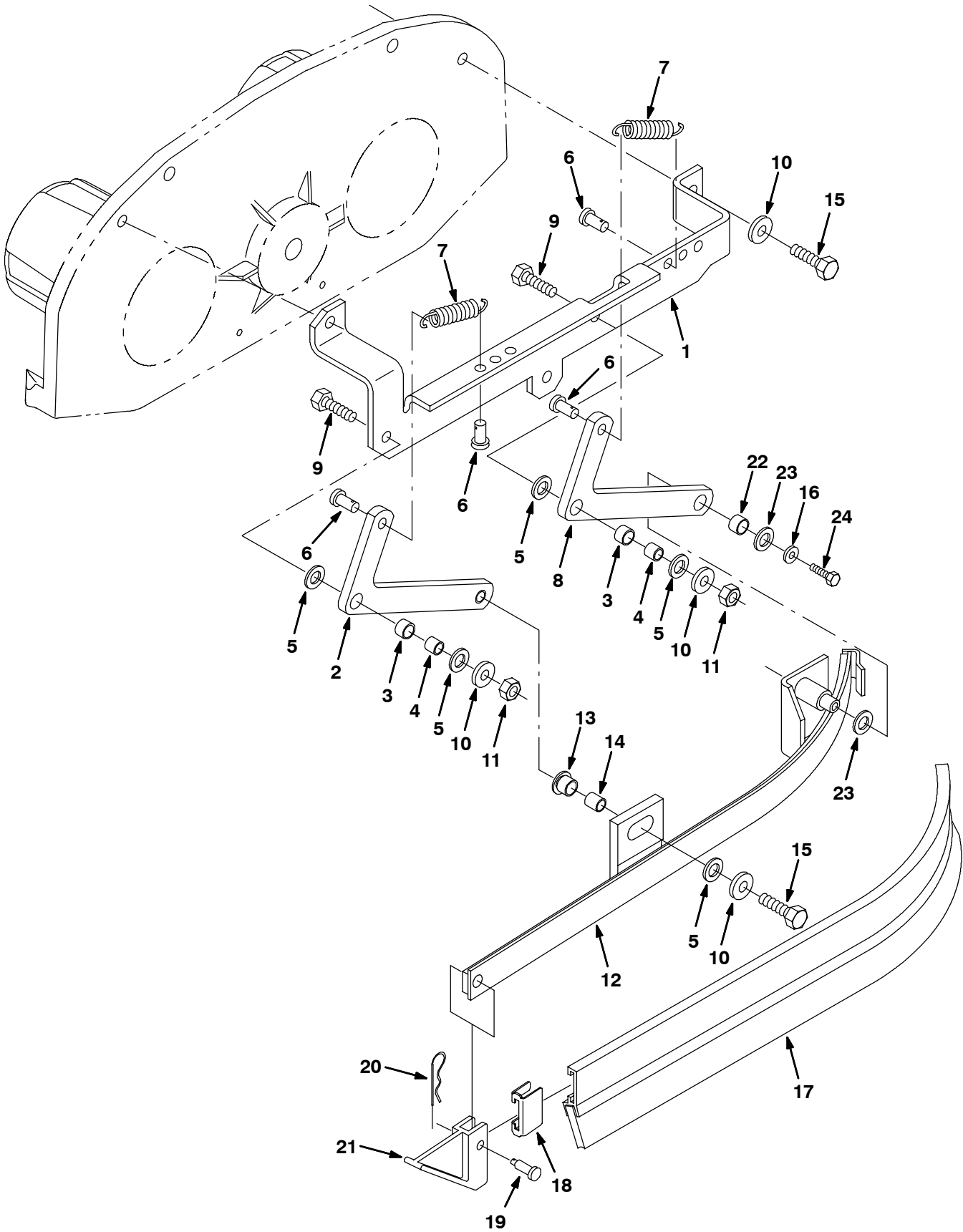


**Fig. 44 - Scrub Brush Drive Motor Group**

NOTE: Brush Drive Arm Assembly, Tennant Part Number 71660, includes Fig. 44 and Fig. 45.

Ref.	Part No.	Serial Number	Description	Qty.
1	71610	(000000-	) Plate, Mounting, Brush	1
2	56088	(000000-	) Shaft, Pivot	1
3	39350	(000000-	) Washer, Flt, .75 Sae	2
4	58677	(000000-	) Bearing-Thrust, 1.031 Dia	1
5	23788	(000000-	) Ring, Retain, Ex, 0.98Od, E-Ring	1
6	71729	(000000-	) Motor, Hyd Gear In 4.5 B 1500 (See Breakdowns)	2
7	44868	(000000-	) Ftg-Hyd E90 Jm08/Om08	3
8	55586	(000000-	) Ftg-Hyd Str Jm04/Om04	2
9	57988	(000000-	) Ftg-Hyd Tee Jm04Jmjf	1
10	44869	(000000-	) Ftg-Hyd Str Jm08/Om08	1
11	39210	(000000-	) Ftg-Hyd E90 Jm04/Jf04	1
12	71166	(000000-	) Tube, Hyd, Jf08	1
13	25686	(000000-	) Plug Wldt, Brush Drive	2
14	56100	(000000-	) Arm, Brush, Mach, Lh	1
15	56166	(000000-	) Bearing, Flange	2
16	07783	(000000-	) Nut, Hex, Std, M20 X 2.5	1
17	01762	(000000-	) Screw, Hex, .38-16 X 0.75, NI	8
18	08182	(000000-	) Pin, Cotter, .125 X 1.00	2

Fig. 45 - Scrub Brush Left Side Squeegee Group

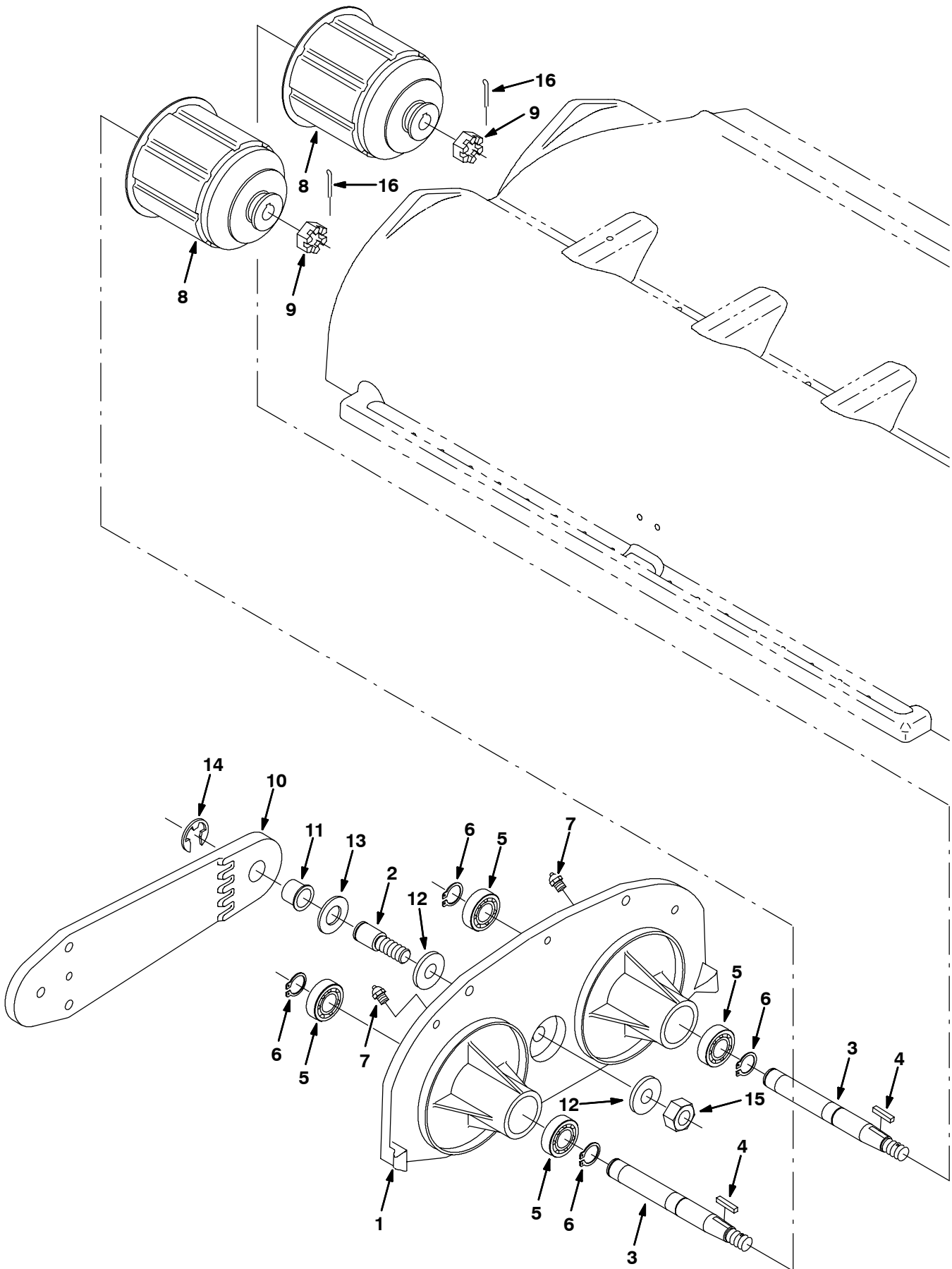


**Fig. 45 - Scrub Brush Left Side Squeegee Group**

NOTE: Brush Drive Arm Assembly, Tennant Part Number 71660, includes Fig. 44 and Fig. 45.

	Ref.	Part No.	Serial Number	Description	Qty.
▽		25793	(000000-	) Squeegee Assy, Side, Lh	1
▲	1	391804	(000000-	) Bracket, Squeegee, Lh	1
▲	2	378952	(000000-	) Arm, Sq Lift	1
▲	3	71607	(000000-	) Bearing, .625B X .38	2
▲	4	71608	(000000-	) Sleeve, Bearing .625Od X .515	2
▲	5	64425	(000000-	) Washer, ..656B 1.25D .06	5
▲	6	39019	(000000-	) Pin,Clevis,0.37 Dia.X 0.75 Lg	4
▲	7	25737	(000000-	) Spring, Ten,0.75Od.07Wire 3.5L	2
▲	8	25709	(000000-	) Arm, Lift, Squeegee	1
▲	9	77347	(000000-	) Screw Hexssm10X1.5 35	2
▲	10	01686	(000000-	) Washer Flt .38 Ss	6
▲	11	08714	(000000-	) Nut-Hxlocnyln M10X1.5 Reg 18-8	2
▲	12	25719	(000000-	) Frame Wldt, Sq Lh	1
▲	13	25730	(000000-	) Bearing, Flange .625B X .50	1
▲	14	25736	(000000-	) Tube, 0.62d 0.41b 0.6l, Ss, Cham	1
▲	15	09028	(000000-	) Scr Hexssm 10X1.5 25	1
▲	16	01684	(000000-	) Washer Flt .25 Ss	1
▲	17	86859	(000000-	) Squeegee, Side	1
▲	18	86759	(000000-	) Retainer, Squeegee	1
▲	19	69582	(000000-	) Pin,Clevis,0.31 Dia X 1.00 Lg	1
▲	20	44906	(000000-	) Pin, Hair Cotter, 0.69 D .092 Wir	1
▲	21	86865	(000000-	) Guide, Side Squeegee	1
▲	22	64173	(000000-	) Bushing, Sleeve, 0.50b 0.59d 0.38l, Stl	1
▲	23	86860	(000000-	) Bearing, Thrust .500	2
▲	24	09744	(000000-	) Scr Hexssm 6X1.0	1

Fig. 46 - Scrub Brush Idler Group

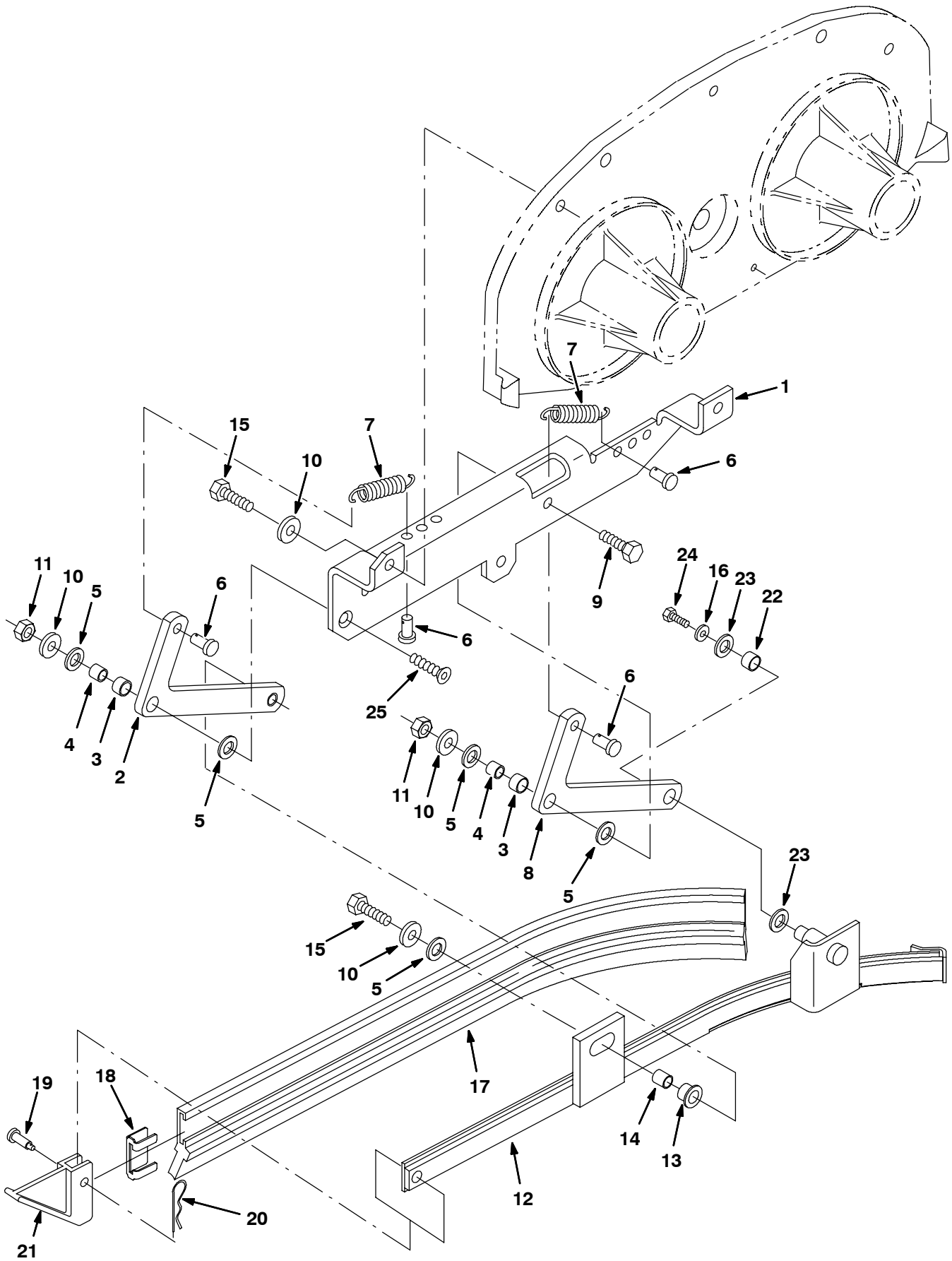


**Fig. 46 - Scrub Brush Idler Group**

NOTE: Brush Idler Arm Assembly, Tennant Part Number 71662, includes Fig. 46 and Fig. 47.

Ref.	Part No.	Serial Number	Description	Qty.
1	71611	(000000-	) Plate, Mtg, Brush	1
2	56113	(000000-	) Shaft, Pivot, Rh	1
3	56078	(000000-	) Shaft, Brush, Idler	2
4	00927	(000000-	) Key Square 0.25 0.25 01.25 Lg	2
5	25797	(000000-	) Bearing Kit, Idler	1
6	09005	(000000-	) Ring,Retain,Ex,1.00Od,Basic	4
7	50270	(000000-	) Fitting, Grease .12Nptf-Str	2
8	25686	(000000-	) Plug Wldt, Brush Drive	2
9	12295	(000000-	) Nut-Hxslot M20X2.5 8 Pltd	2
10	25689	(000000-	) Arm, Brush, Mach, Rh	1
11	54618	(000000-	) Bushing, Flng, 1.00b 1.13d 1.00l	1
12	39350	(000000-	) Washer, Flt, .75 Sae	2
13	58677	(000000-	) Bearing-Thrust, 1.031 Dia	1
14	23788	(000000-	) Ring,Retain,Ex,0.98Od,E-Ring	1
15	07783	(000000-	) Nut, Hex, Std, M20 X 2.5	1
16	08182	(000000-	) Pin, Cotter, .125 X 1.00	2

Fig. 47 - Scrub Brush Right Side Squeegee Group





**Fig. 47 - Scrub Brush Right Side Squeegee Group**

NOTE: Brush Idler Arm Assembly, Tennant Part Number 71662, includes Fig. 46 and Fig. 47.

Ref.	Part No.	Serial Number	Description	Qty.
▽	25792	(000000-	) Squeegee Assy, Side, Rh	1
▲	1 391849	(000000-	) Bracket, Sqge, Rh	1
▲	2 378952	(000000-	) Arm, Sq Lift	1
▲	3 71607	(000000-	) Bearing, .625B X .38	2
▲	4 71608	(000000-	) Sleeve, Bearing .625Od X .515	2
▲	5 64425	(000000-	) Washer, .656B 1.25D .06	5
▲	6 39019	(000000-	) Pin,Clevis,0.37 Dia.X 0.75 Lg	4
▲	7 25737	(000000-	) Spring, Ten,0.75Od.07Wire 3.5L	2
▲	8 25709	(000000-	) Arm, Lift, Squeegee	1
▲	9 77347	(000000-	) Screw Hexssm10X1.5 35	1
▲	10 01686	(000000-	) Washer Flt .38 Ss	6
▲	11 08714	(000000-	) Nut-Hxlocnyln M10X1.5 Reg 18-8	2
▲	12 25733	(000000-	) Frame Wldt, Sq Rh	1
▲	13 25730	(000000-	) Bearing, Flange .625B X .50	1
▲	14 25736	(000000-	) Tube, 0.62d 0.41b 0.6l, Ss, Cham	1
▲	15 09028	(000000-	) Scr Hexssm 10X1.5 25	4
▲	16 01684	(000000-	) Washer Flt .25 Ss	1
▲	17 86859	(000000-	) Squeegee, Side	1
▲	18 86759	(000000-	) Retainer, Squeegee	1
▲	19 69582	(000000-	) Pin,Clevis,0.31 Dia X 1.00 Lg	1
▲	20 44906	(000000-	) Pin, Hair Cotter, 0.69 D .092 Wir	1
▲	21 86865	(000000-	) Guide, Side Squeegee	1
▲	22 64173	(000000-	) Bushing, Sleeve, 0.50b 0.59d 0.38l, Stl	1
▲	23 86860	(000000-	) Bearing, Thrust .500	2
▲	24 09744	(000000-	) Scr Hexssm 6X1.0	1
▲	25 06535	(000000-	) Screw, Flat M10X1.5	1

Fig. 48 - Scrub Head Debris Tray Frame Group

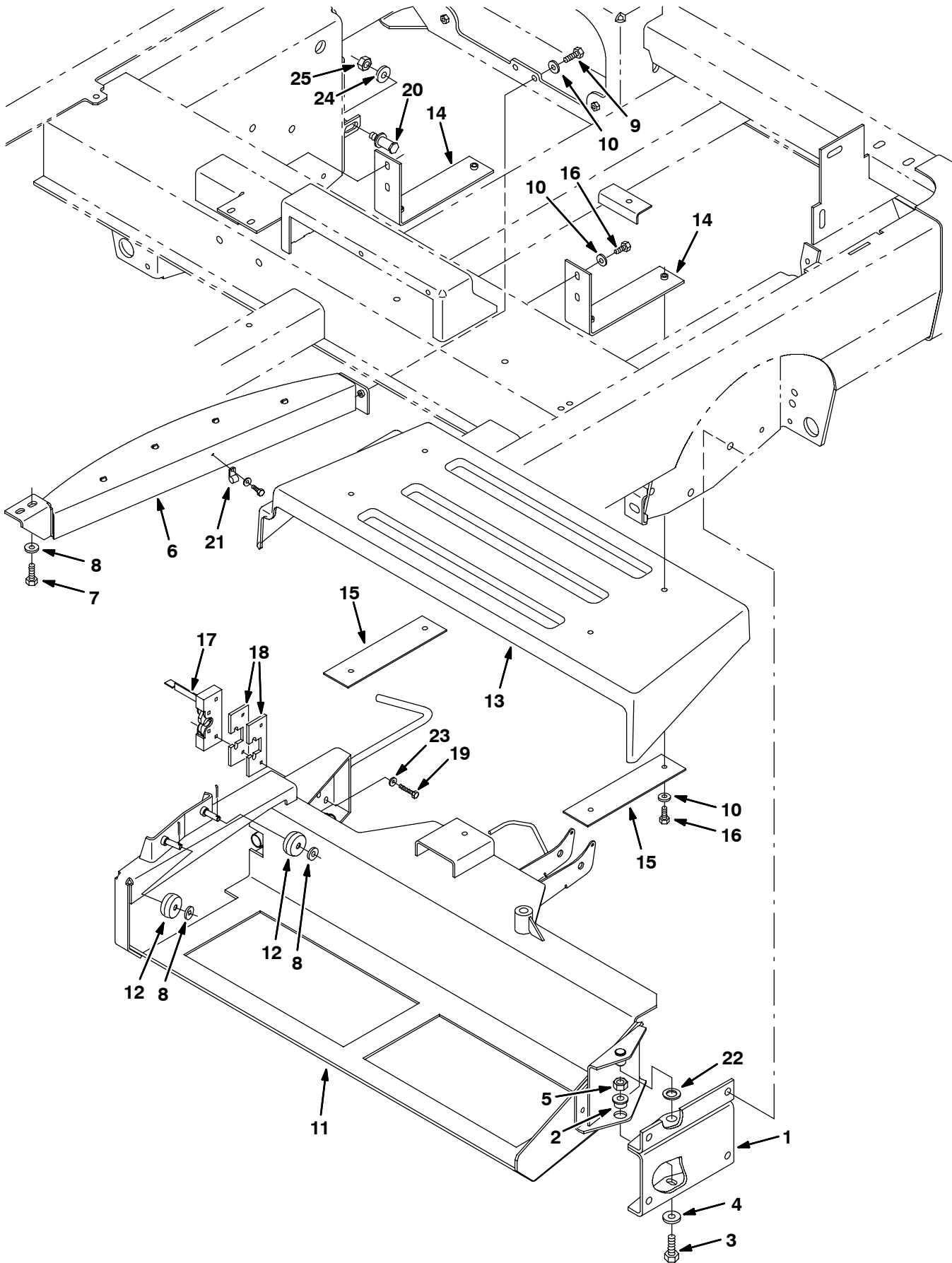


Fig. 48 - Scrub Head Debris Tray Frame Group

Ref.	Part No.	Serial Number	Description	Qty.
1	71121	(000000-	) Pivot Wldt, Tray	1
2	391804	(000000-	) Sleeve, Pivot, Lower	1
3	09029	(000000-	) Scr Hexssm 12X1.75 40	1
4	41619	(000000-	) Washer Flt .50 Ss	1
5	09741	(000000-	) Nut-Hxlocnynmm12X1.75 Reg Ss	1
6	71251	(000000-	) Bracket, Wheel, Tray	1
7	09028	(000000-	) Scr Hexssm 10X1.5 25	2
8	01686	(000000-	) Washer Flt .38 Ss	4
9	09010	(000000-	) Scr-Hexssm 8X1.25 25	2
10	01685	(000000-	) Washer Flt .31 Ss	10
11	71263	(000000-	) Tray Wldt, Debris	1
12	71106	(000000-	) Wheel, Tray, 1.75 Dia	2
13	71261	(000000-	) Cover, Tray	1
14	71083	(000000-	) Bracket, Cover	2
15	71084	(000000-	) Plate, Cover	2
16	09740	(000000-	) Scr Hexssm 8X1.25	8
17	59194	(000000-	) Latch, Hook, Lh	1
18	25714	(000000-	) Spacer, Latch	2
19	07805	(000000-	) Scr Hexssm 6X1.0 35	4
20	59192	(000000-	) Latch, Bolt	1
21	40678	(000000-	) Clamp-Cable, 0.44D 0.62W Stl	1
22	53782	(000000-	) Bearing-Thrust 0.75B 1.25D .06W	1
23	01684	(000000-	) Washer Flt .25 Ss	4
24	41619	(000000-	) Washer, Flat, 0.56b 1.38d .11, Ss	1
25	07788	(000000-	) Nut, Hex, Std, M12 X 1.75, Ss	1

Fig. 49 - Scrub Head Debris Tray Trough Group

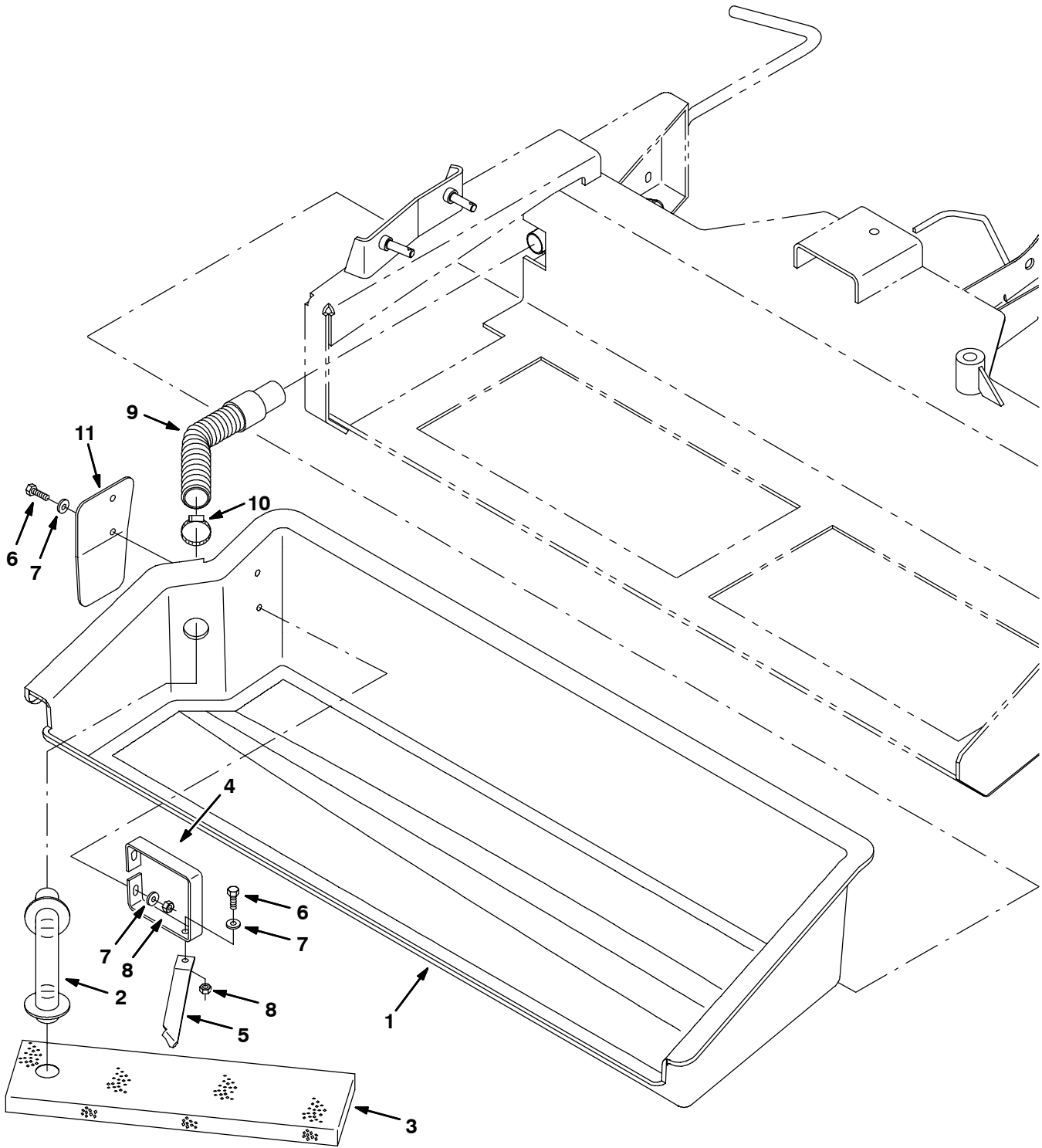


Fig. 49 - Scrub Head Debris Tray Trough Group

Ref.	Part No.	Serial Number	Description	Qty.
1	71260	(000000-	) Tray, Debris	1
2	71082	(000000-	) Tube Wldt, Vacuum	1
3	71375	(000000-	) Filter Wldt, Tray	1
4	71115	(000000-	) Bracket, Filter	1
5	59393	(000000-	) Spring, Trough Screen	1
6	08716	(000000-	) Screw, Hex Ssm 6 X 1.0 20	3
7	01684	(000000-	) Washer Flt .25 Ss	5
8	08712	(000000-	) Nut Hxlocnyln M 6X1.0 Reg Ss	3
9	71102	(000000-	) Hose, Vacuum, Tray	1
10	11399	(000000-	) Clamp-Wormdrive, 0.81- 1.50D	2
11	20889	(000000-	) Plate, Support	1

Fig. 50 - Rear Squeegee Lift Group

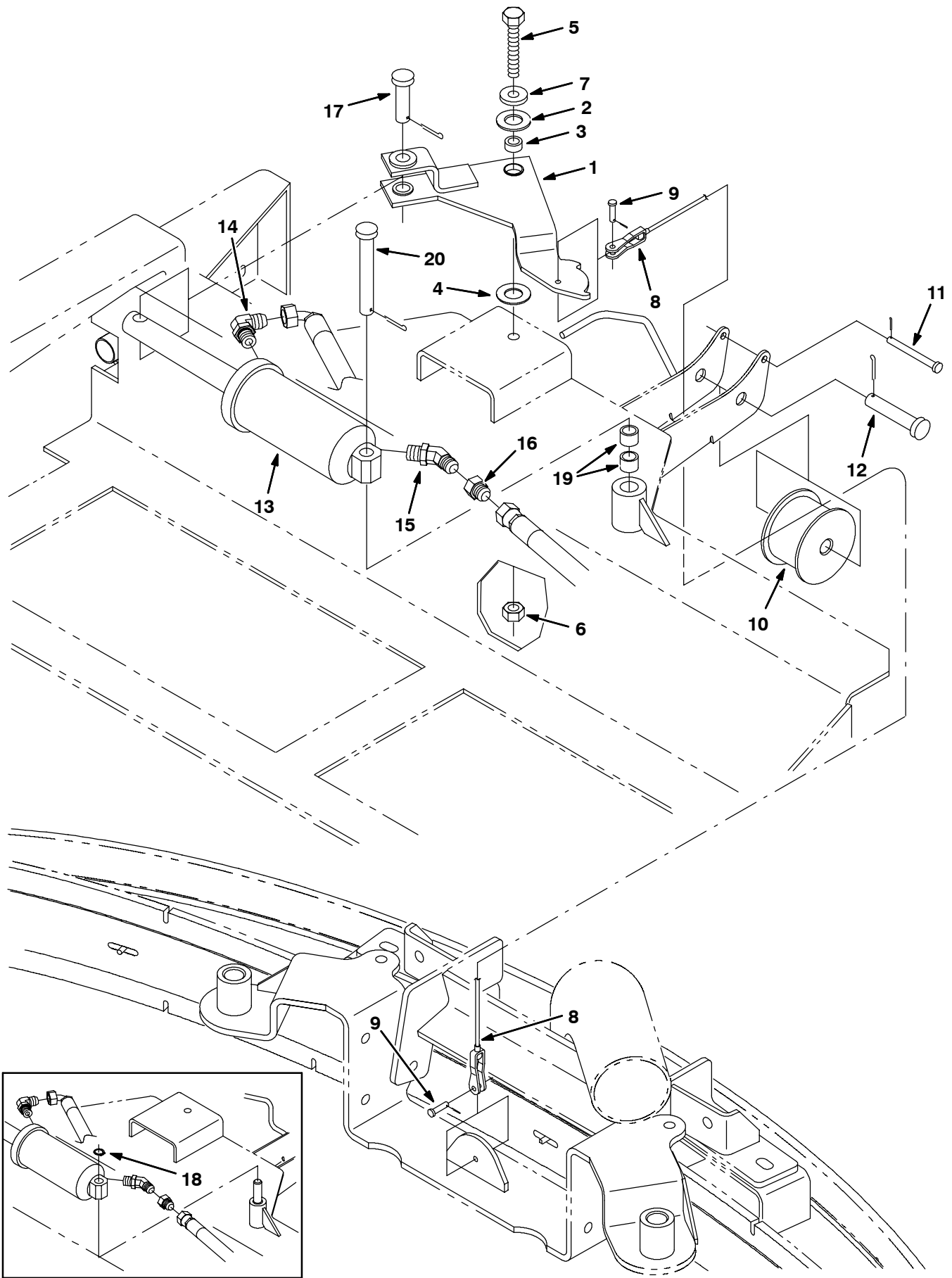


Fig. 50 - Rear Squeegee Lift Group

Ref.	Part No.	Serial Number	Description	Qty.
1	71104	(000000-	) Bellcrank Wldt	1
2	64425	(000000-	) Washer, .656B 1.25D .06	1
3	71658	(000000-	) Sleeve, Bearing .62Od	1
4	07450	(000000-	) Bearing, Thrust	1
5	04417	(000000-	) Screw Hex Ssm 10X1.5	1
6	08714	(000000-	) Nut-Hxlocnyln M10X1.5 Reg Ss	1
7	33948	(000000-	) Washer, Flat .38	1
8	71101	(000000-	) Cable, Sq Lift, Metric	1
9	77488	(000000-	) Pin,Clevis,0.19 Dia.X 0.62 Lg	2
10	223054	(000000-	) Drum, Lift Cable	1
11	04733-10	(000000-	) Pin, Clevis,0.25 Dia X 2.44 Lg	1
12	06279	(000000-	) Pin,Clevis,0.50 Dia.X 2.50 Lg	1
13	1028042	(000000-	) Cylinder, Hyd, 2.0b 08.0l 04.00strk 2500	1
14	77097	(000000-	) Ftg-Hyd E90 Jm04/Om04	1
15	34359	(000000-	) Ftg-Hyd E45 Jm04/Om04	1
16	16456	(000000-	) Ftg-Hyd Rst Jm04/.063	1
17	51534	(000000-	) Pin,Clevis,0.50 Dia.X 2.00 Lg	1
18	20868	(000000-003597)	) Cylinder Pin Kit, Sqge	1
19	63233	(003598-	) Bushing, Sleeve, 0.50b 0.59d 0.50l, Bnz	2
20	06474A	(003598-	) Pin, Clevis, 0.50Dia. X3.50Lg	1

Fig. 51 - Rear Squeegee Linkage Group

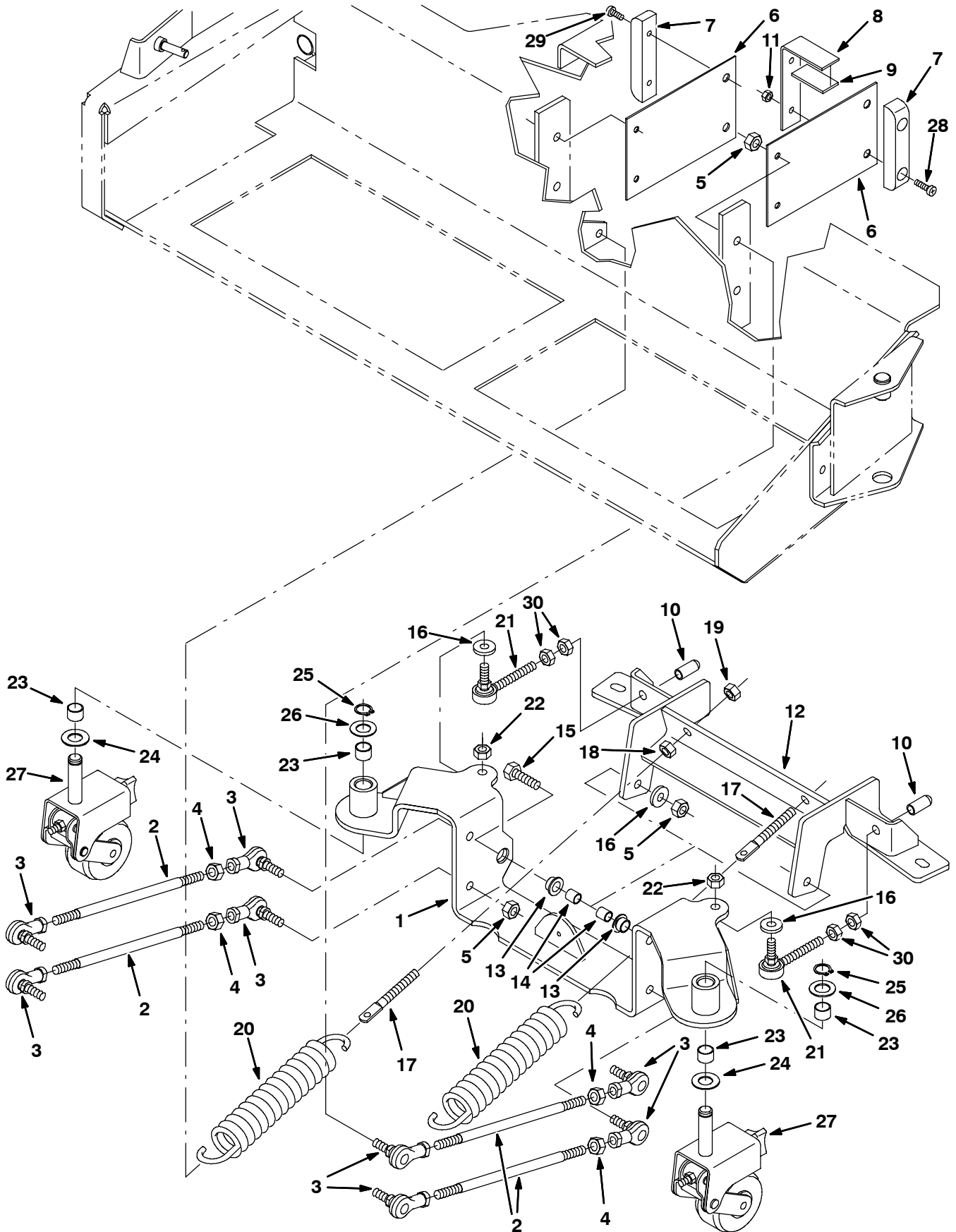




Fig. 51 - Rear Squeegee Linkage Group

Ref.	Part No.	Serial Number	Description	Qty.
▽	369897	(000000-	) Kit, Repair, Linkage, Squeegee	1
▲	1 71242	(000000-	) Bracket Wldt, Sq Main	1
▲	2 71113	(000000-	) Rod, Threaded	4
▲	3 05686	(000000-	) Rod End M10 X1.5 W/Stud	8
▲	4 32716	(000000-	) Nut Hx, Jam M10X 1.5Ss	4
▲	5 08714	(000000-	) Nut-Hxlocnyln M10X1.5 Reg 18-8	10
▲	6 71204	(000000-	) Spring, Centering	2
▲	7 71211	(000000-	) Block, Centering	2
▲	8 25804	(000000-	) Bracket, Stop	1
▲	9 25819	(000000-	) Pad, Neoprene	1
▲	10 20806	(000000-	) Cap, Neoprene, Black	2
▲	11 08712	(000000-	) Nut Hxlocnyln M 6X1.0 Reg Ss	4
▲	12 71248	(000000-	) Bracket Wldt, Sq Secondary	1
▲	13 25735	(000000-	) Bearing, Flange .625Bx .38	2
▲	14 71257	(000000-	) Tube, 0.62d 0.41b 0.5l, Ss, Cham	2
▲	15 77347	(000000-	) Screw Hexssm10X1.5 35	2
▲	16 01686	(000000-	) Washer Flt .38 Ss	4
▲	17 11843	(000000-	) Bolt-Eye, .38-16Th .28B 3.22L	2
▲	18 01692	(000000-	) Nut Hx Std Ss .38-16	2
▲	19 59156	(000000-	) Nut-Hxlocnyln .38-16 Regss18-8	2
▲	20 71100	(000000-	) Spring, Tension	2
▲	21 71210	(000000-	) Baljoint, 3/8-24	2
▲	22 50269	(000000-	) Nut, Hex, Lock, .38-24, Ni, Ss	2
▲	23 07449	(000000-	) Bearing, Fiberglide	4
▲	24 64425	(000000-	) Washer, .656B 1.25D .06	2
▲	25 33373	(000000-	) Ring, Retain,Ex,0.62Od,Heavydt	2
▲	26 63468	(000000-	) Washer, .687B 1.19D .06Cr. Cad	2
▲	27 71245	(000000-	) Caster, Squeegee	2
▲	28 09007	(000000-	) Screw, Hex, M6 X 1.0 X 25, Ss	2
▲	29 08716	(000000-	) Screw, Hex, M6 X 1.0 X 20, Ss	2
▲	30 02939	(000000-	) Nut, Hex, Std, .38-24, Ss	4

Fig. 52 - Rear Squeegee Assembly

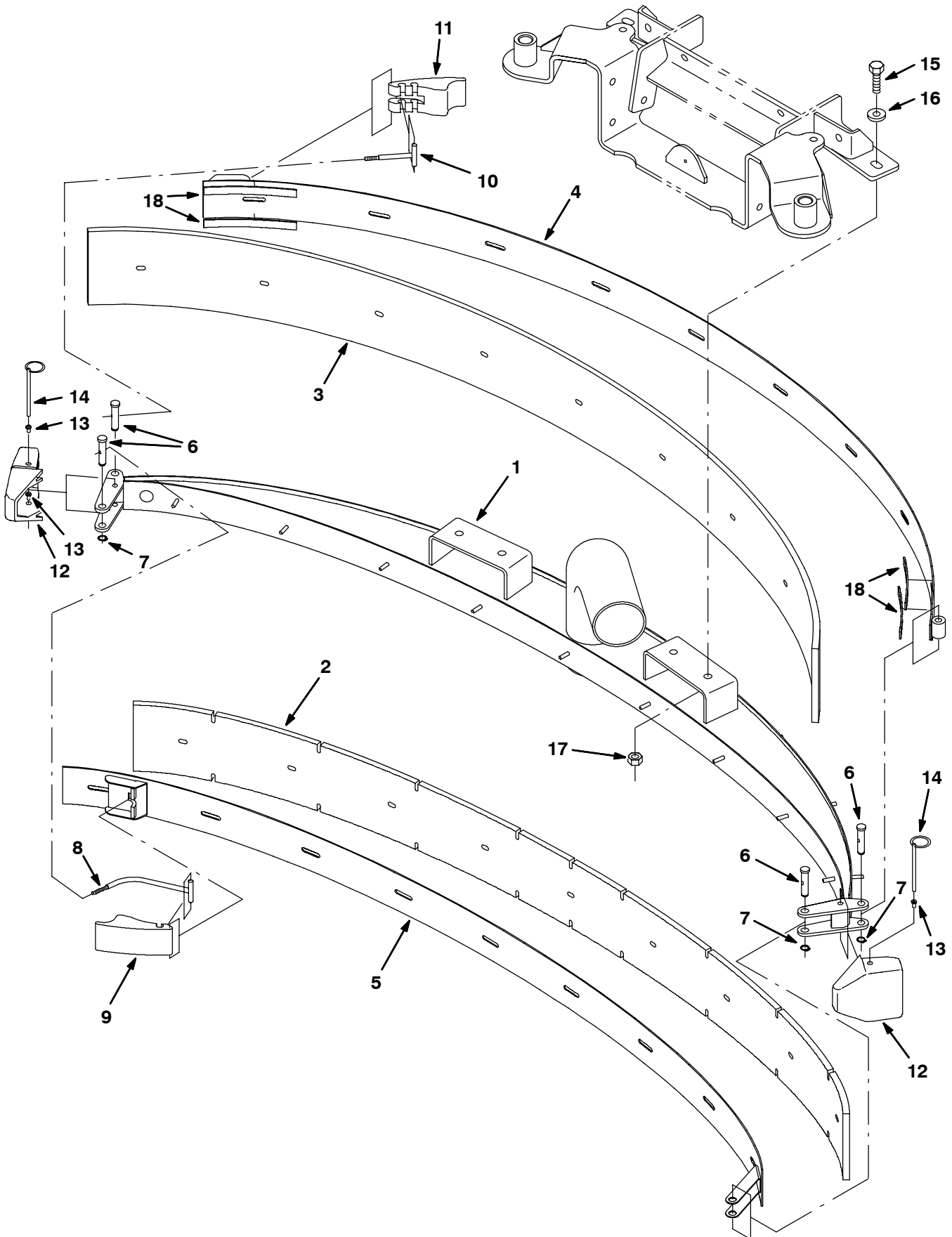


Fig. 52 - Rear Squeegee Assembly

Ref.	Part No.	Serial Number	Description	Qty.
▽	25791	(000000-	) Squeegee Assy, Rear	1
▲	1 71254	(000000-	) Squeegee Wldt	1
▲	2 71255	(000000-	) Blade, Squeegee, Front	1
▲	3 71256	(000000-	) Blade, Squeegee, Rear	1
▲	4 21597	(000000-	) Strip Wldt, Rear Retainer	1
▲	5 21600	(000000-	) Strip Wldt, Front Retainer	1
▲	6 21603	(000000-	) Pin	4
▲	7 24555	(000000-	) E-Ring, External .375 Dia	4
▲	8 21608	(000000-	) Pin Wldt, Front	1
▲	9 21601	(000000-	) Cam, Front	1
▲	10 21606	(000000-	) Pin Wldt, Rear	1
▲	11 21602	(000000-	) Cam, Rear	1
▲▽	21614	(000000-	) Bumper Kit, Squeegee	2
▲▲	12 21586	(000000-	) Bumper, Squeegee	2
▲▲	13 79219	(000000-	) Retainer	4
▲▲	14 71199	(000000-	) Pin, Hitch, .19Dia X 3.44 L	2
▲	15 09028	(000000-	) Scr Hexssm 10X1.5 25	4
▲	16 01686	(000000-	) Washer Flt .38 Ss	4
▲	17 08714	(000000-	) Nut-Hxlocnyln M10X1.5 Reg 18-8	4
▲	18 03495	(000000-	) Strip, Non Slip	4

Fig. 53 - Rear Squeegee Caster Assembly

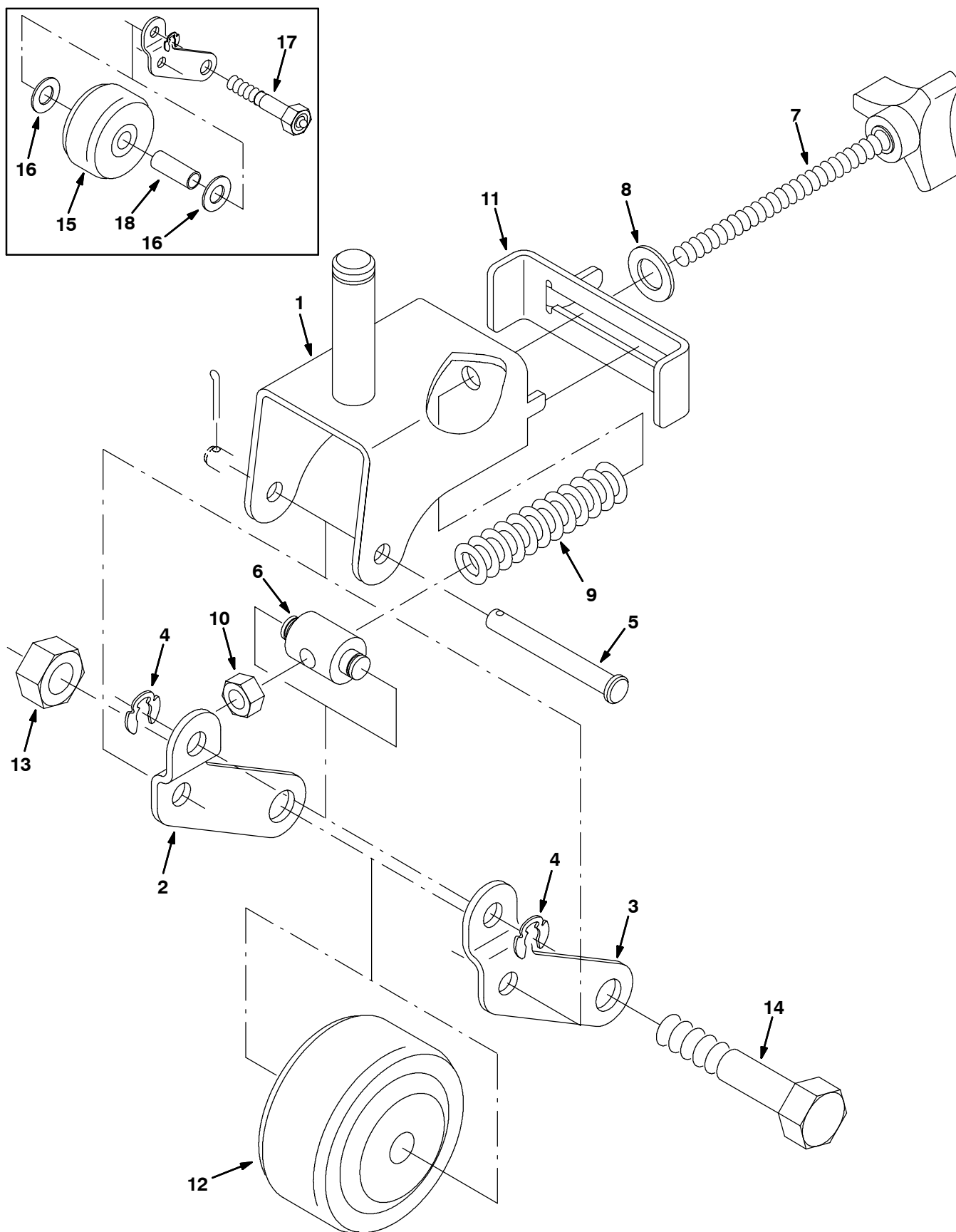


Fig. 53 - Rear Squeegee Caster Assembly

Ref.	Part No.	Serial Number	Description	Qty.
▽	71245	(000000-	) Caster Assy, Squeegee, Rear	1
▲	1 71117	(000000-	) Bracket Wldt, Caster, Adj.	1
▲	2 71123	(000000-	) Arm, Linkage, R.H.	1
▲	3 71124	(000000-	) Arm, Linkage, L.H.	1
▲	4 12364	(000000-	) Ring,Retain,Ex,0.375D,Klipring	2
▲	5 71274	(000000-	) Pin, Clevis .31D X 2.5L	1
▲	6 71126	(000000-	) Block	1
▲	7 71090	(000000-	) Knob, Caster	1
▲	8 32490	(000000-	) Washer, Flat,II .25 Hard	1
▲	9 71209	(000000-	) Spring Comp 0.660Dx.09Wire3.5L	1
▲	10 08713	(000000-	) Nut-Hxlocnyln M 8X1.25 Reg Ss	1
▲	11 71202	(000000-	) Bracket, Caster Lock	1
▲	12 20833	(003661-	) Wheel, 3 Inch Dia.	1
▲	13 02931	(000000-	) Nut-Hxlocnyln .50-13 Regss18-8	1
▲	14 81952	(000000-	) Scr-Hex .50 13 X 3.00 Ss	1
	15 10165	(000000-003660 )	Wheel, 3 Inch Dia.	1
	16 64425	(000000-003660 )	Washer, .656B 1.25D .06	2
	17 76943	(000000-003660 )	Bolt, Axle W/Zerk	1
	18 75050	(000000-003660 )	Bushing, Spanner - Special 550	1

Fig. 54 - FaST Air Pump and Detergent Group

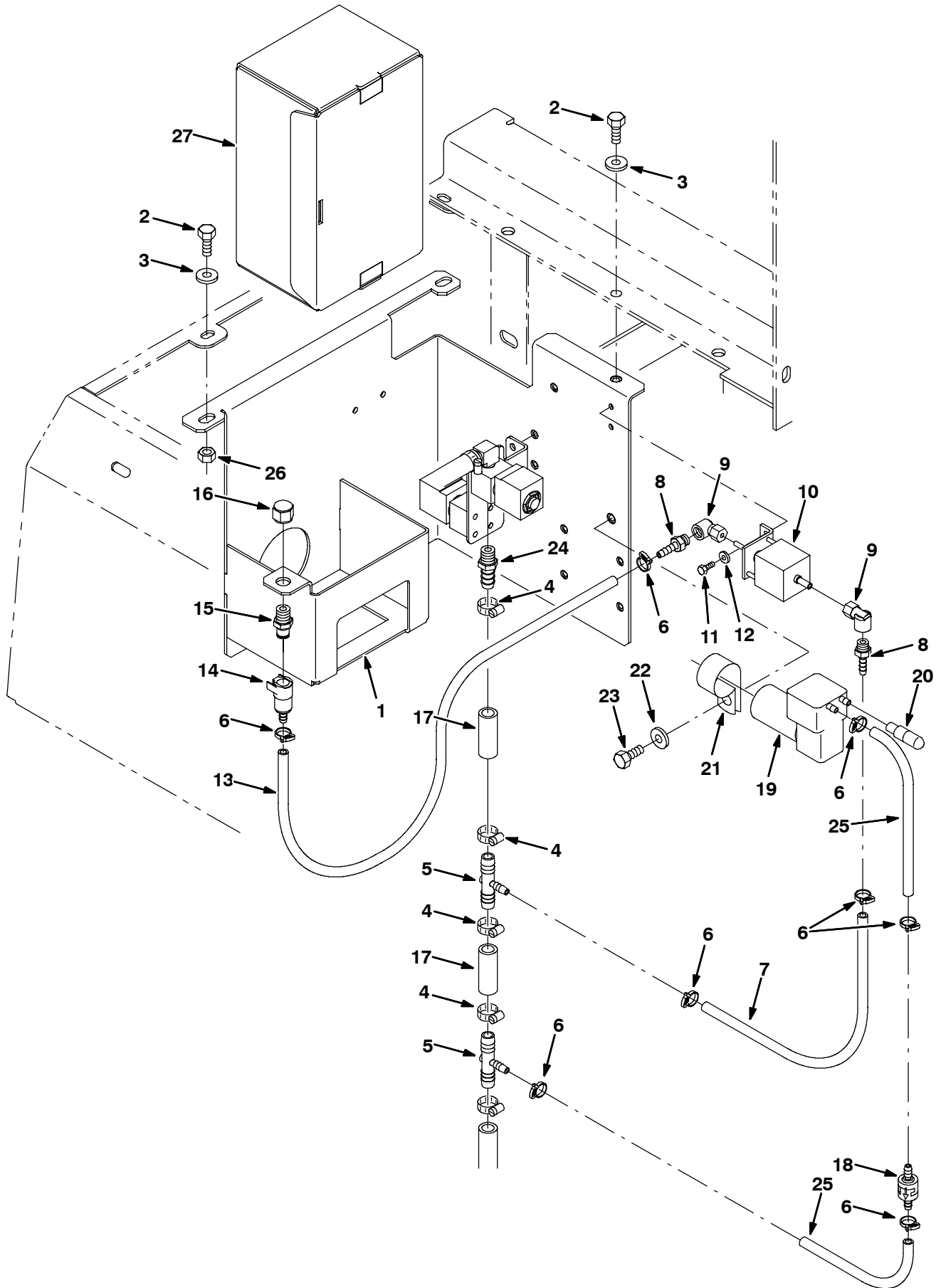


Fig. 54 - FaST Air Pump and Detergent Group

Ref.	Part No.	Serial Number	Description	Qty.
1	1019209	(007549-	) Bracket Wldt, Mtg, Pump	1
2	09740	(007549-	) Screw, Hex, M8 X 1.25 X 20, Ss	3
3	01685	(007549-	) Washer, Flat, 0.31 Ss	3
4	54333	(007549-	) Clamp, Hose, Wormdrive, 0.31-0.88d, .31w	4
5	1010684	(007549-	) Fitting, Plstc, Tee, Bm08/Bm04/Bm08	2
6	1014575	(007549-	) Clamp, Hose, Plstc .351-.394 Id	8
7	1014986	(007549-	) Hose, Afmkt, Pvc, Clr 0.25id 2ft	1
8	150525	(007549-	) Fitting, Brs, Str, Pm02/Bm04	2
9	1014082	(007549-	) Fitting, Brs, E90, Cf03/Pf02	2
10	1018097	(007549-	) Pump, Detgt, 12vdc [560s]	1
11	09206	(007549-	) Screw, Hex, M4 X 0.7 X 12, 8.8	2
12	41579	(007549-	) Washer, Flat, #8, Ss	2
13	1006415	(007549-	) Hose, Afmkt, Pvc, Clr 0.25id 3ft	1
14	1002898	(007549-	) Fitting, Plstc, Str, Bm04, Cplg, Fem	1
15	1002899	(007549-	) Fitting, Plstc, Str, Pm04, Cplg, Mal	1
16	1005435	(007549-	) Fitting, Plstc, Pipe, Cap, Pf04	1
17	1011403	(007549-	) Hose, Afmkt, Pvc, Brd 0.50id 1ft	2
18	1013902	(007549-	) Valve, Check, 2gpm 2psi Bm04/Bm04	1
19	1018780	(007549-	) Pump, Air, Ele, 12vdc	1
20	1005255	(007549-	) Filter Assy, Air, Molded Ure	1
21	53466	(007549-	) Clamp, Cable, Stl, 1.50d X 1.00w, 1h	1
22	32491	(007549-	) Washer, Flat, 0.31 Std	1
23	09010	(007549-	) Screw, Hex, M8 X 1.25 X 25, Ss	1
24	762249	(007549-	) Fitting, Brs, Str, Pm04/Bm08	1
25	1014987	(007549-	) Hose, Afmkt, Pvc, Clr 0.25id 1ft	2
26	08709	(007549-	) Nut, Hex, Lock, M8 X 1.25, NI	2
27	1021878	(007549-	) Detergent Pkg, 4 Liter, Sgl [Tco 665]	1

Fig. 55 - FaST Foam Filter Group

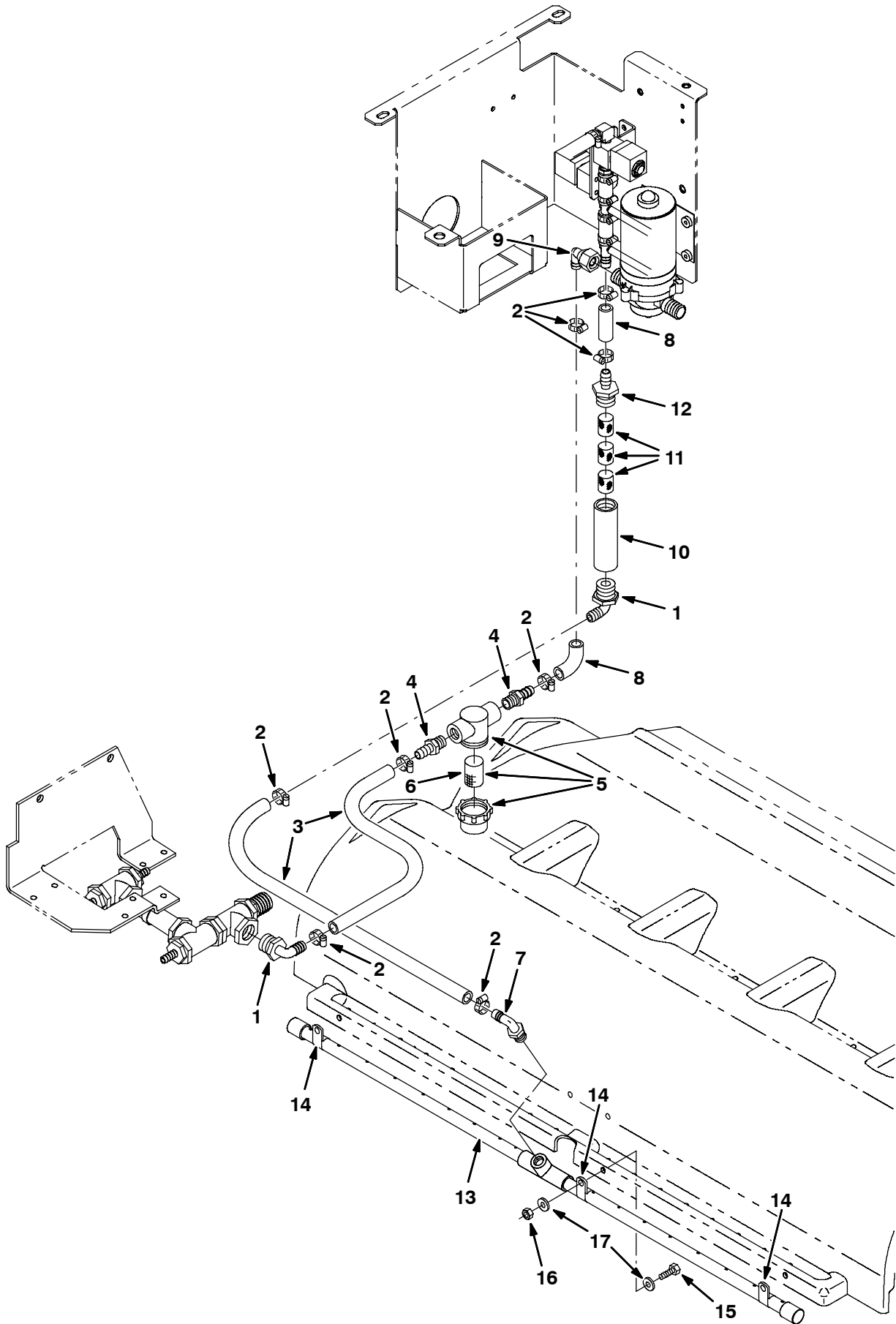




Fig. 55 - FaST Foam Filter Group

Ref.	Part No.	Serial Number	Description	Qty.	
1	1005552	(007549-	) Fitting, Plstc, E90, Bm08/Pm12, Nyl	2	
2	54333	(007549-	) Clamp, Hose, Wormdrive, 0.31-0.88d, .31w	8	
3	1006401	(007549-	) Hose, Afmkt, Pvc, Brd 0.50id 3ft	2	
4	64743	(007549-	) Fitting, Plstc, Str, Bm08/Pm06	2	
▽	5	1005302	(007549-	) Filter, Inline, Pf06/Pf06, 80 Mesh	1
▲	6	1005304	(007549-	) Screen, Fltr, 80 Mesh	1
7	64778	(007549-	) Fitting, Plstc, E90, Bm08/Pm06	1	
8	1011403	(007549-	) Hose, Afmkt, Pvc, Brd 0.50id 1ft	2	
9	1018499	(007549-	) Fitting, Plstc, E90, Swivel, Bm08/Pf08s	1	
10	1005086	(007549-	) Tube, Pvc, Shc80, Clr, 4.0l	1	
11	1002789	(007549-	) Filter, Foam	3	
12	79273-1	(007549-	) Fitting, Plstc, Str, Bm08/Pm12	1	
13	1018337	(007549-	) Tube Assy, Spray, Cyl, 1000mm [7400]	1	
14	67767	(007549-	) Clamp, Cable, Stl, 0.69d X 0.62w, 1h	3	
15	08716	(007549-	) Screw, Hex, M6 X 1.0 X 20, Ss	3	
16	08712	(007549-	) Nut, Hex, Lock, M6 X 1.0, Ss, NI	3	
17	01684	(007549-	) Washer, Flat, 0.25 Ss	6	

**Fig. 56 - FaST Solution Pump Group**

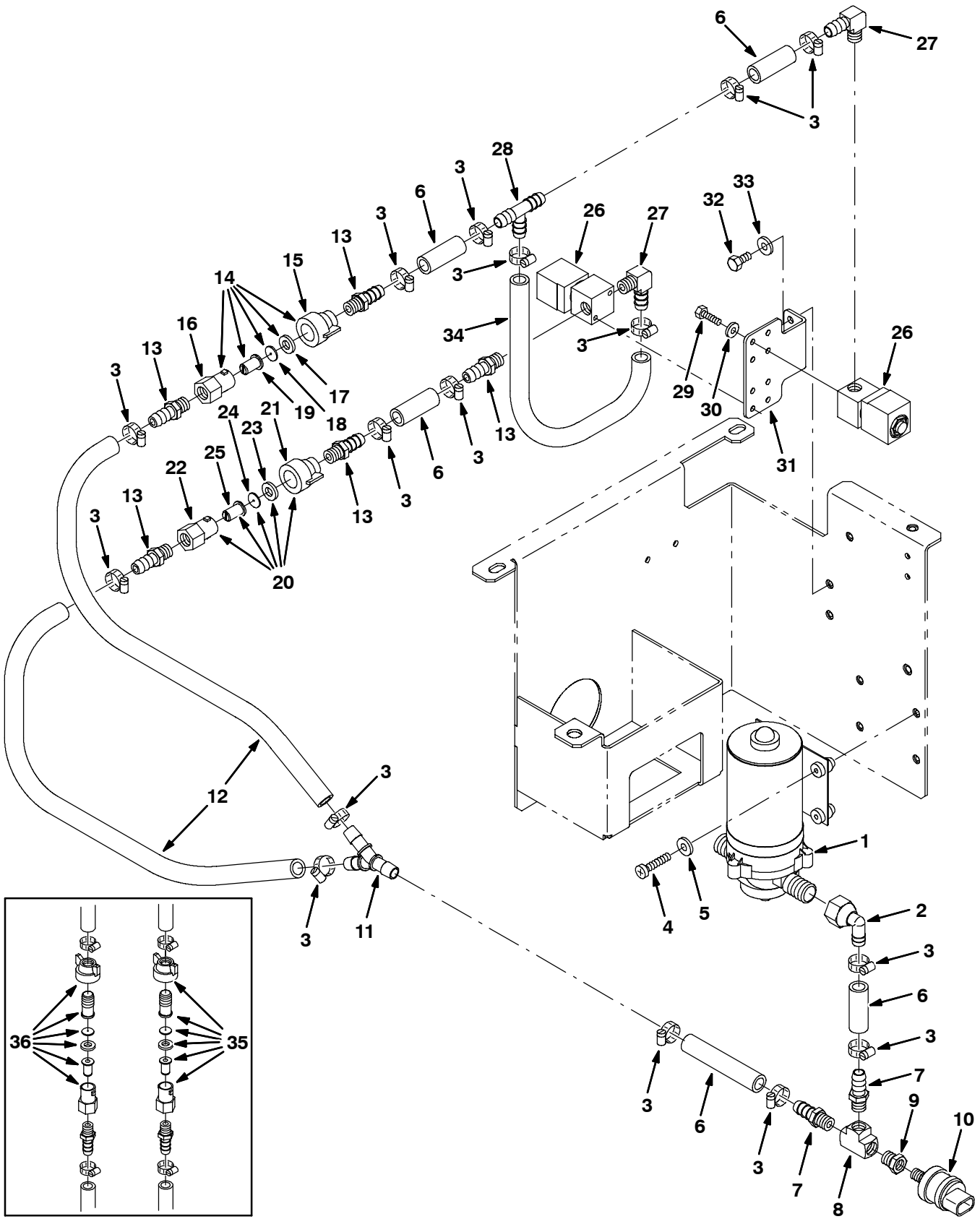


Fig. 56 - FaST Solution Pump Group

Ref.	Part No.	Serial Number	Description	Qty.
1	1018040	(007549-008085 )	Pump, Soltn, Ele, 12vdc	1
1	1030878	(008086- )	Pump, Soltn, Ele, 12vdc [W/O Chk Valve]	1
2	1018499	(007549- )	Fitting, Plstc, E90, Swivel, Bm08/Pf08s	1
3	54333	(007549- )	Clamp, Hose, Wormdrive, 0.31-0.88d, .31w	16
4	32746	(007549- )	Screw, Pan, M6 X 1.0 X 35, Ss	4
5	01684	(007549- )	Washer, Flat, 0.25 Ss	4
6	1011403	(007549- )	Hose, Afmkt, Pvc, Brd 0.50id 1ft	5
7	1010775	(007549- )	Fitting, Plstc, Str, Bm08/Pm04 Nyl	2
8	398474	(007549- )	Fitting, Brs, Tee, Pf04/Pf04/Pf04	1
9	150100	(007549- )	Fitting, Brs, Str, Pf02/Pm04	1
10	1028582	(007549- )	Switch, Press, 0010psi Spst	1
11	1010668	(007549- )	Fitting, Plstc, Y, Bm08/Bm08/Bm08 Nyl	1
12	1011521	(007549- )	Hose, Afmkt, Pvc, Brd 0.50id 2ft	2
13	1010775	(008086- )	Fitting, Plstc, Str, Bm08/Pm04, Nyl	5
▽	14	1030864	(008086- ) Fitting Assy, Orifice, 0.070b, Pf04/Pf04	1
▲	15	1005506	(008086- ) Fitting, Plstc, Cap, Spray, Pf04	1
▲	16	1005507	(008086- ) Fitting, Plstc, Body, Spray, Pf04	1
▲	17	1005508	(008086- ) Washer, Flat, 0.34b 0.75d .12, Viton	1
▲	18	1018883	(008086- ) Plate, Orifice, 0.070id	1
▲	19	1006447	(008086- ) Screen, 50 Mesh, Ss	1
▽	20	1030863	(008086- ) Fitting Assy, Orifice, 0.093b, Pf04/Pf04	1
▲	21	1005506	(008086- ) Fitting, Plstc, Cap, Spray, Pf04	1
▲	22	1005507	(008086- ) Fitting, Plstc, Body, Spray, Pf04	1
▲	23	1005508	(008086- ) Washer, Flat, 0.34b 0.75d .12, Viton	1
▲	24	1018884	(008086- ) Plate, Orifice, 0.093id	1
▲	25	1006447	(008086- ) Screen, 50 Mesh, Ss	1
	26	1018098	(007549- ) Valve, Water, 12vdc, 6.0mm, 04pf	2
	27	1010836	(007549- ) Fitting, Brs, E90, Pm04/Bm08	2
	28	63245-1	(007549- ) Fitting, Plstc, Tee, Bm08/Bm08/Bm08	1
	29	09252	(007549- ) Screw, Hex, M5 X 0.8 X 20, 8.8	4
	30	19066	(007549- ) Washer, Flat, #10	4
	31	1013857	(007549- ) Bracket, Mtg, Valve, Solenoid	1
	32	06942	(007549- ) Screw, Hex, M6 X 1.0 X 16, 8.8	2
	33	01684	(007549- ) Washer, Flat, 0.25 Ss	2
	34	1024020	(007549- ) Hose, Afmkt, Pvc, Wire 0.50id 1ft	1
	35	9002438	(007549-008085 ) Fitting Assy, Orifice [.070b] F/ 1018533	1
	36	9002439	(007549-008085 ) Fitting Assy, Orifice [.093b] F/ 1018467	1

Fig. 57 - FaST Electrical Group

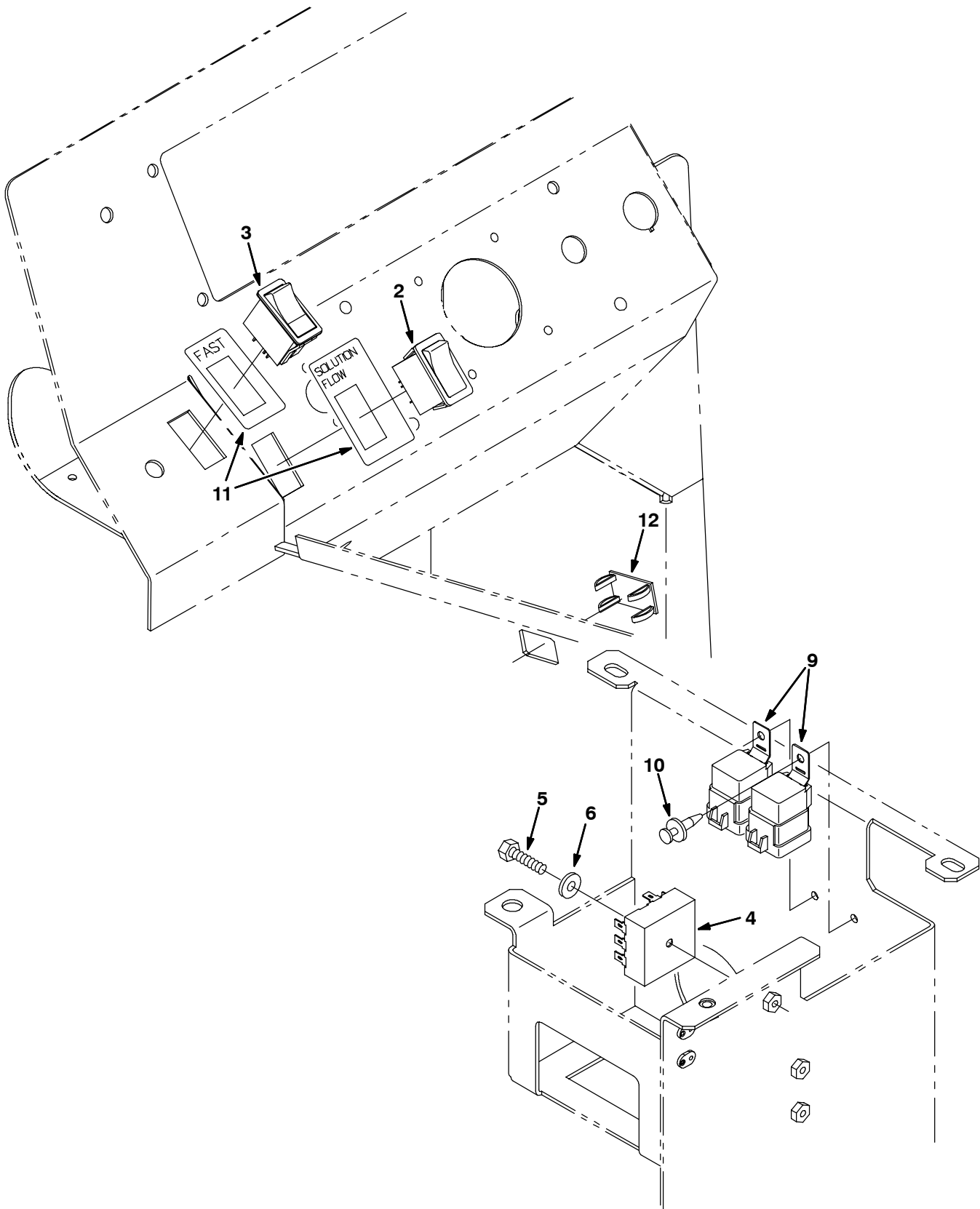


Fig. 57 - FaST Electrical Group

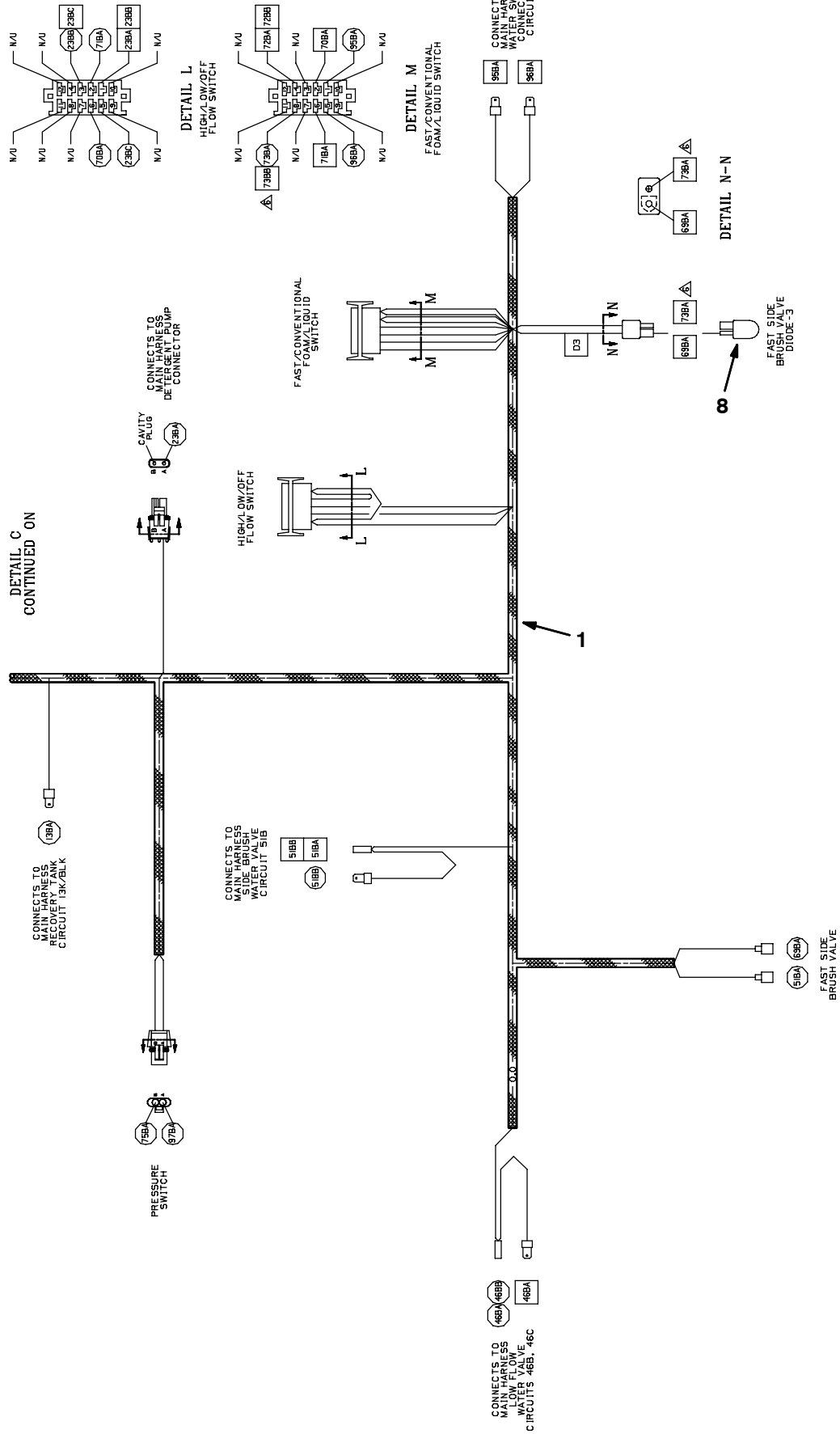


Fig. 57 - FaST Electrical Group

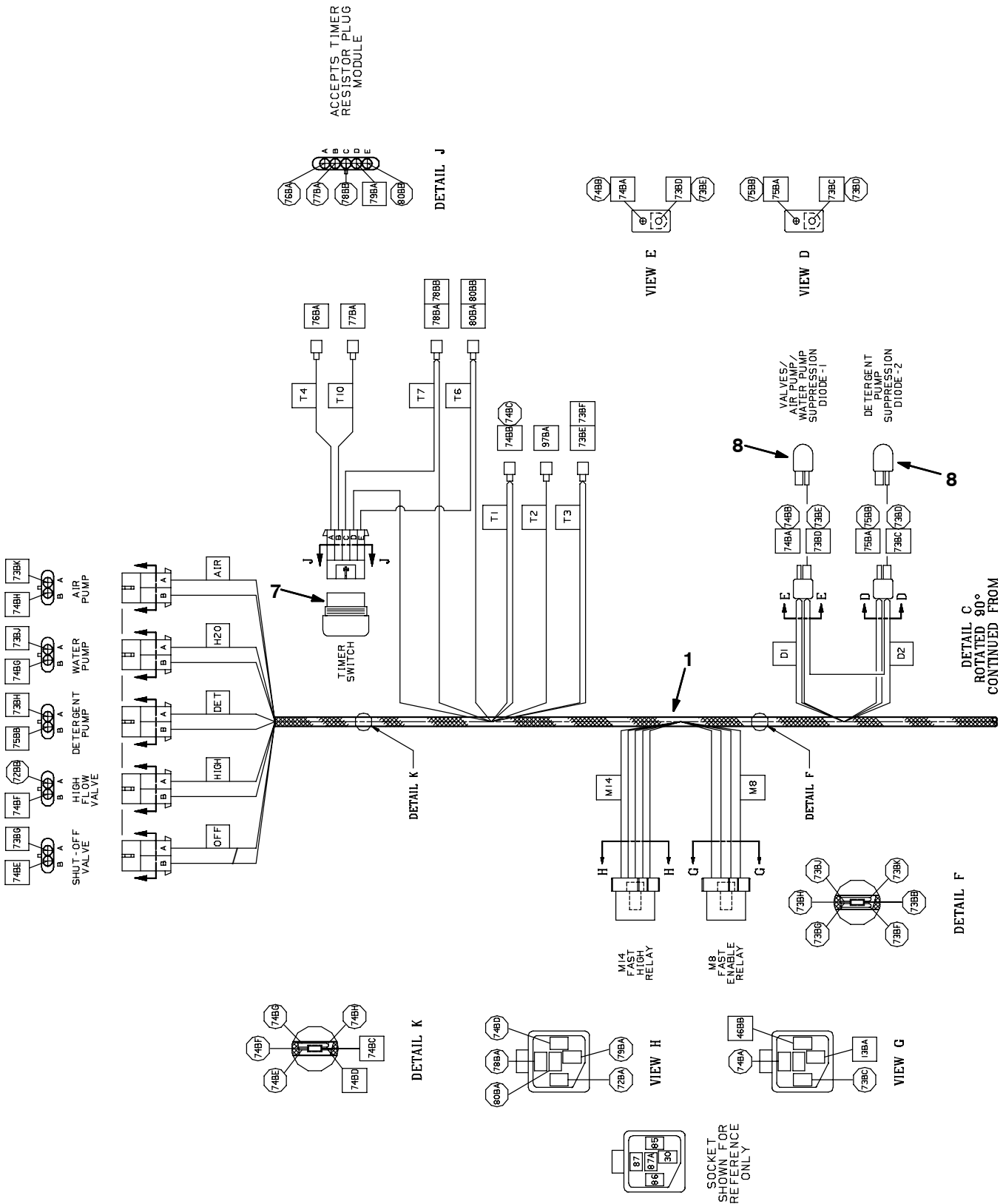
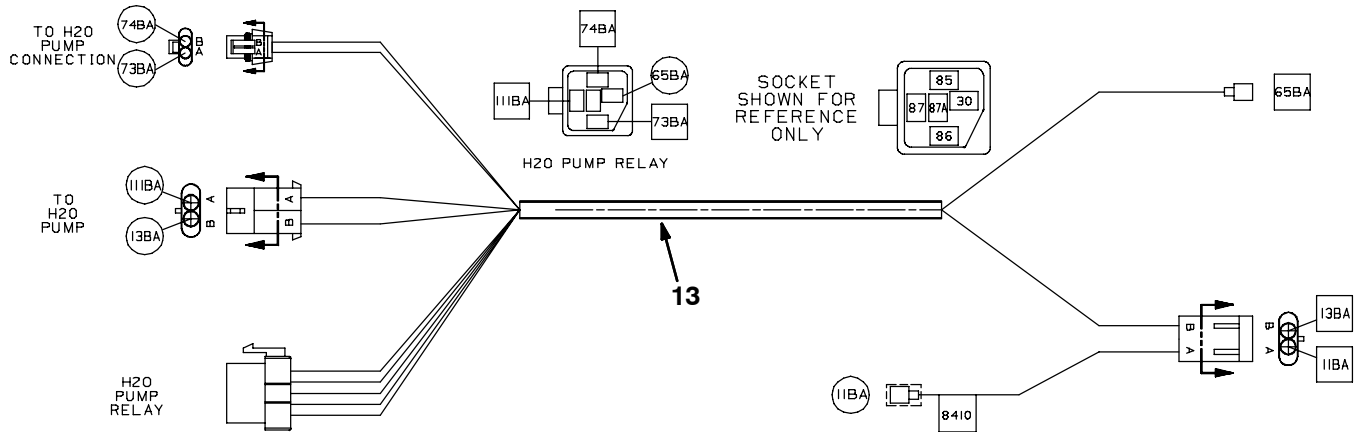


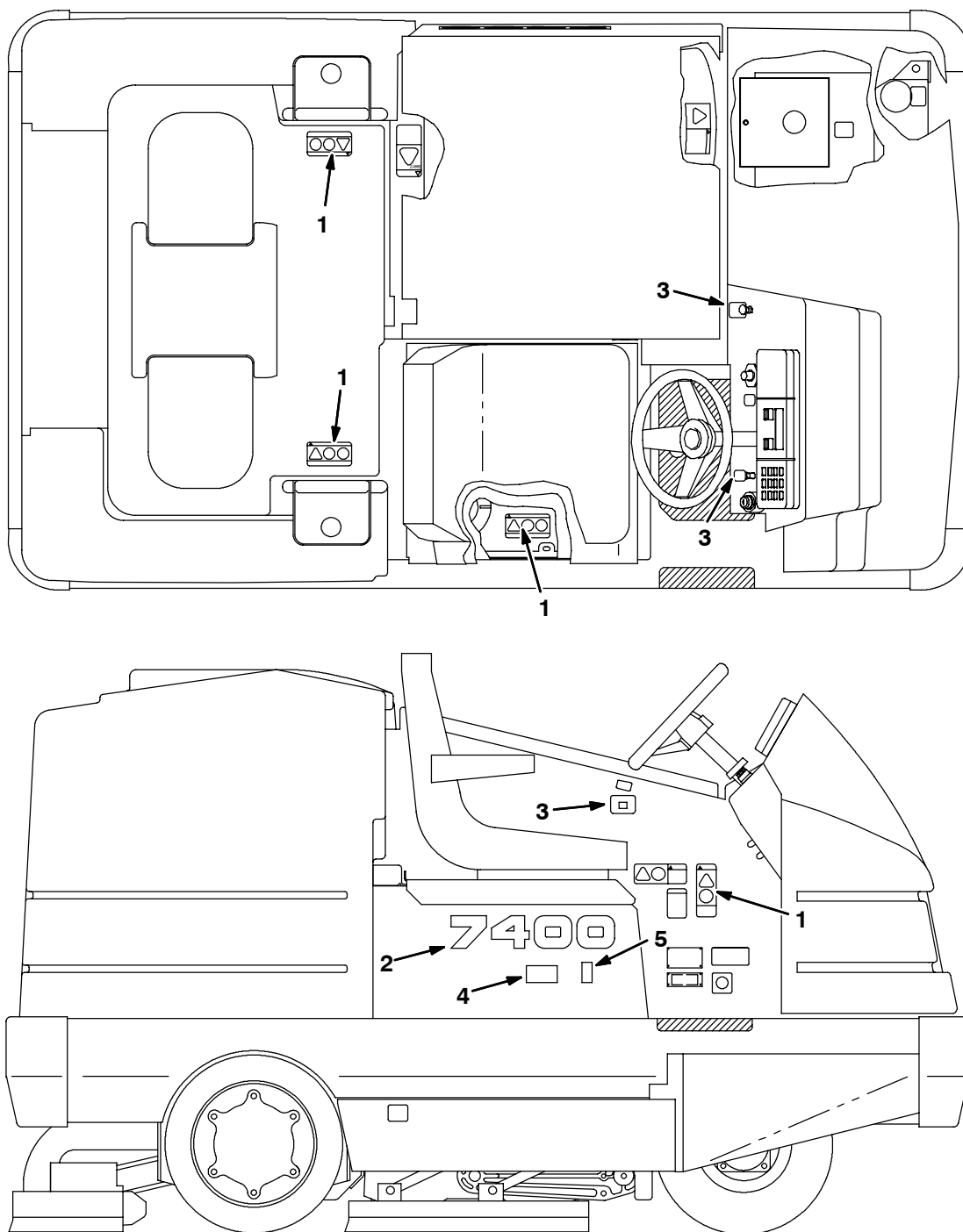
Fig. 57 - FaST Electrical Group



354326, 354327 - ALL

Ref.	Part No.	Serial Number	Description	Qty.
1	391939	(007549-	) Harness, Jumper [Fast 7400]	1
2	377084	(007549-	) Switch, Rocker, 36vdc 05a Progressive	1
3	397889	(007549-	) Switch, Rocker, 36vdc 05a Dpst On/N/On	1
4	1028580	(007549-	) Timer, 9-41vdc, Recycling	1
5	06945	(007549-	) Screw, Hex, M6 X 1.0 X 30, 8.8	1
6	01684	(007549-	) Washer, Flat, 0.25 Ss	1
7	1015096	(007549-	) Resistor Assy W / 5 Pin Plug	1
8	222290	(007549-	) Diode, Ele, Plug	3
9	56186	(007549-	) Relay, 12vdc, 40a, Spdt N/O [Potter]	2
10	72970	(007549-	) Rivet, Plstc, .250d X 0.898	2
11	1020195	(007549-	) Label Set, Opertnl [7400 Fast]	1
12	57772	(007549-	) Button, Plug, Switch, 1.45 X 0.83 Hole	1
13	1031405	(007549-	) Harness [7400/8410 Fast Update]	1

**Fig. 58 - Label Group**



10799 - NA

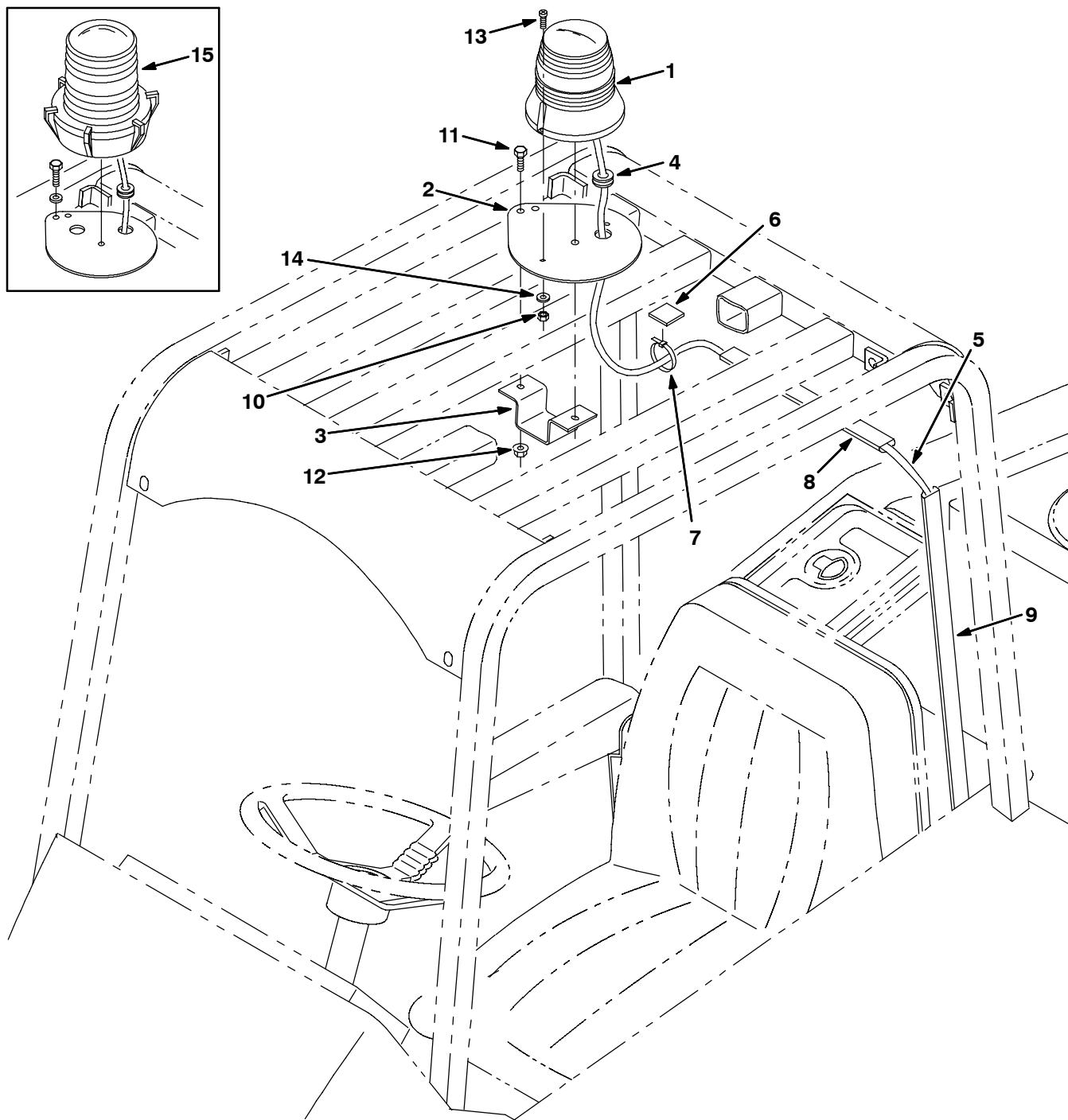
Ref.	Part No.	Serial Number	Description	Qty.
1	25817	(000000- )	Label Set, Info & Hzd 7400	1
2	71499	(000000- )	Label, Numerals 7400	2
3	71491	(000000- )	Label Set, Operational	1
4	1005416	(007549- )	Label, Fast	1
5	1015012	(007549- )	Label [Nfsi Certification]	1



# SECTION 3

Contents	Page
Fig. 1 - Flashing Light Kit, Overhead Guard	3-2
Fig. 2 - Revolving Light Kit, Overhead Guard	3-4
Fig. 3 - Flashing Light Kit, LRC	3-6
Fig. 4 - Revolving Light Kit, LRC	3-8
Fig. 5 - ES and Auto Fill Group	3-10
Fig. 6 - ES Pump Column Group (000000-004203)	3-12
Fig. 7 - ES Pump Column Group (004204- )	3-14
Fig. 8 - ES Detergent Tank Group	3-16
Fig. 9 - Backup Alarm Group	3-18
Fig. 10 - Side Brush Mount Group	3-20
Fig. 11 - Side Brush Motor Group	3-22
Fig. 12 - Side Brush Hydraulic Group (000000-005613)	3-24
Fig. 13 - Side Brush Hydraulic Group (005614- )	3-26
Fig. 14 - Side Brush Hydraulic Hose Group (000000-005613)	3-28
Fig. 15 - Side Brush Hydraulic Hose Group (005614- )	3-30
Fig. 16 - Side Brush FaST Foam Filter Group	3-32
Fig. 17 - Urethane Side Brush Squeegee Assembly	3-34
Fig. 18 - Overhead Guard Kit	3-35
Fig. 19 - Fire Extinguisher Kit	3-36
Fig. 20 - Protectoseal Fuel Tank Cap Group (000000-008999)	3-37
Fig. 21 - Seat Belt Kit	3-38
Fig. 22 - Grammer Seat Kit	3-39
Fig. 23 - Solid High Traction Tire Group	3-40
Fig. 24 - Solid Turf Tire and Wheel Assembly	3-41
Fig. 25 - Solid Non Marking Tire and Wheel Assembly	3-42
Fig. 26 - Solid Non Marking Turf Tire and Wheel Assembly	3-43
Fig. 27 - Urethane Squeegee Blade Kit	3-44
Fig. 28 - Positive Solution Control Drain Kit, Std	3-45
Fig. 29 - Positive Solution Control Drain Kit, ES	3-46
Fig. 30 - Squeegee Wand Kit	3-47
Fig. 31 - Transport Group	3-48
Fig. 32 - Heavy Duty Engine Air Filter Kit	3-49
Fig. 33 - Documentation Group	3-50

Fig. 1 - Flashing Light Kit, Overhead Guard



**Fig. 1 - Flashing Light Kit, Overhead Guard**

	<b>Ref.</b>	<b>Part No.</b>	<b>Serial Number</b>	<b>Description</b>	<b>Qty.</b>
	▽	25761	(000000-	) Light Kit Flsh Ohg	1
	▲▽	1 1017248	(007434-	) Light, Flsh, Amb, 12-48 Vdc	1
	▲▲	9000879	(007434-	) Lens, Lamp, Amb, Strobe/Flasher	1
9000846	▲▲	<del>9000845</del>	(007434-	) Lamp, Bulb, Lamp, Flsh	1
	▲	29192	(007434-	) Terminal, Ring, .250, 16/14 Awg	1
	▲	55272	(007434-	) Terminal, Bullet, .156m, 12 Awg	1
	▲	2 57220	(000000-	) Plate, Light Mtg.	1
	▲	3 59447	(000000-	) Bracket, Mounting, Light, Ohg	1
	▲	4 10632-9	(000000-	) Grommet,Rbr,0.56ld,For .13Matl	1
	▲	5 60288	(000000-	) Harness, Revolv Light, Cab,Ohg	1
	▲	6 55248	(000000-	) Cabletie Mount, Adhesive	1
	▲	7 49266	(000000-	) Tie, Cable 1.75D Max 7.50Lg	8
	▲	8 86330	(000000-	) Duct, Vinyl .40X.75X10.0 .25D	2
	▲	9 86332	(000000-	) Duct, Vinyl .40X.75X26.0 .25D	1
	▲	10 02850	(000000-	) Nut, Hex, Lock, M4 X 0.7, NI	2
	▲	11 24672	(000000-	) Screw, Hex, .25-20 X 0.75, Ss	2
	▲	12 27978	(000000-	) Nut, Hex, Flng, .25-20	2
	▲	13 24265	(000000-	) Screw, Pan, M4 X 0.7 X 16, Ss	2
	▲	14 19065	(000000-	) Washer, Flat, #08	2
	▽	15 82063	(000000-007433	) Light, Flashing, Amber, 12V-Re	1
	▲	58520	(000000-007433	) Lens,Flashing Lite Fr207 Amber	1
	▲	45779	(000000-007433	) Bulb, 12V .2A 32Cp #1156	1
		58518	(000000-007433	) Lens,Flashing Lite Fr207 Red	1
		58519	(000000-007433	) Lens,Flashing Lite Fr207 Blue	1

Fig. 2 - Revolving Light Kit, Overhead Guard

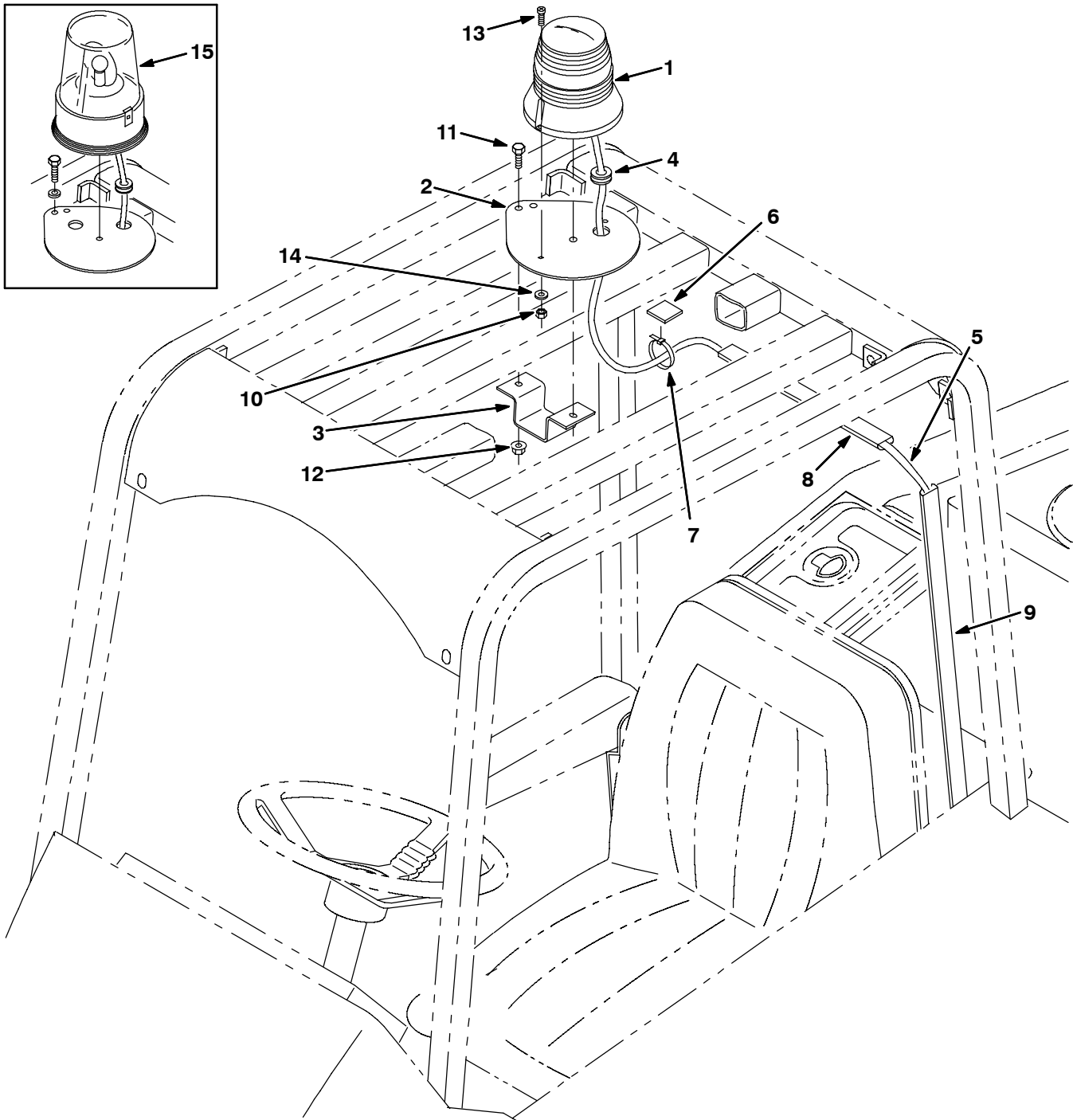


Fig. 2 - Revolving Light Kit, Overhead Guard

	Ref.	Part No.	Serial Number	Description	Qty.
	▽	25763	(000000-	) Light Kit Revl Ohg	1
	▲▽	1 1017250	(007433-	) Lamp Strobe, Amb, 12-80 Vdc	1
	▲▲	9000879	(007433-	) Lens, Lamp, Amb, Strobe/Flasher	1
9000845	▲▲	<del>9000846</del>	(007433-	) Lamp, Bulb, Lamp, Strobe	1
	▲	29192	(007433-	) Terminal, Ring, .250, 16/14 Awg	1
	▲	55272	(007433-	) Terminal, Bullet, .156m, 12 Awg	1
	▲	2 57220	(000000-	) Plate, Light Mtg.	1
	▲	3 59447	(000000-	) Bracket, Mounting, Light, Ohg	1
	▲	4 10632-9	(000000-	) Grommet, Rbr, 0.56ld, For .13Matl	1
	▲	5 60288	(000000-	) Harness, Revolv Light, Cab, Ohg	1
	▲	6 55248	(000000-	) Cabletie Mount, Adhesive	1
	▲	7 49266	(000000-	) Tie, Cable 1.75D Max 7.50Lg	8
	▲	8 86330	(000000-	) Duct, Vinyl .40X.75X10.0 .25D	2
	▲	9 86332	(000000-	) Duct, Vinyl .40X.75X26.0 .25D	1
	▲	10 02850	(000000-	) Nut, Hex, Lock, M4 X 0.7, NI	2
	▲	11 24672	(000000-	) Screw, Hex, .25-20 X 0.75, Ss	2
	▲	12 27978	(000000-	) Nut, Hex, Flng, .25-20	2
	▲	13 24265	(000000-	) Screw, Pan, M4 X 0.7 X 16, Ss	2
	▲	14 19065	(000000-	) Washer, Flat, #08	2
	▽	15 82200	(000000-007432	) Light, Rev. Amber 12V	1
	▲	44681-1	(000000-007432	) Lens, Rev. Light, Amber	1
	▲	45779	(000000-007432	) Bulb, 12V .2A 32Cp #1156	1
		44681	(000000-007432	) Lens, Rev. Light, Red	1
		44681-2	(000000-007432	) Lens, Rev. Light, Blue	1

Fig. 3 - Flashing Light Kit, LRC

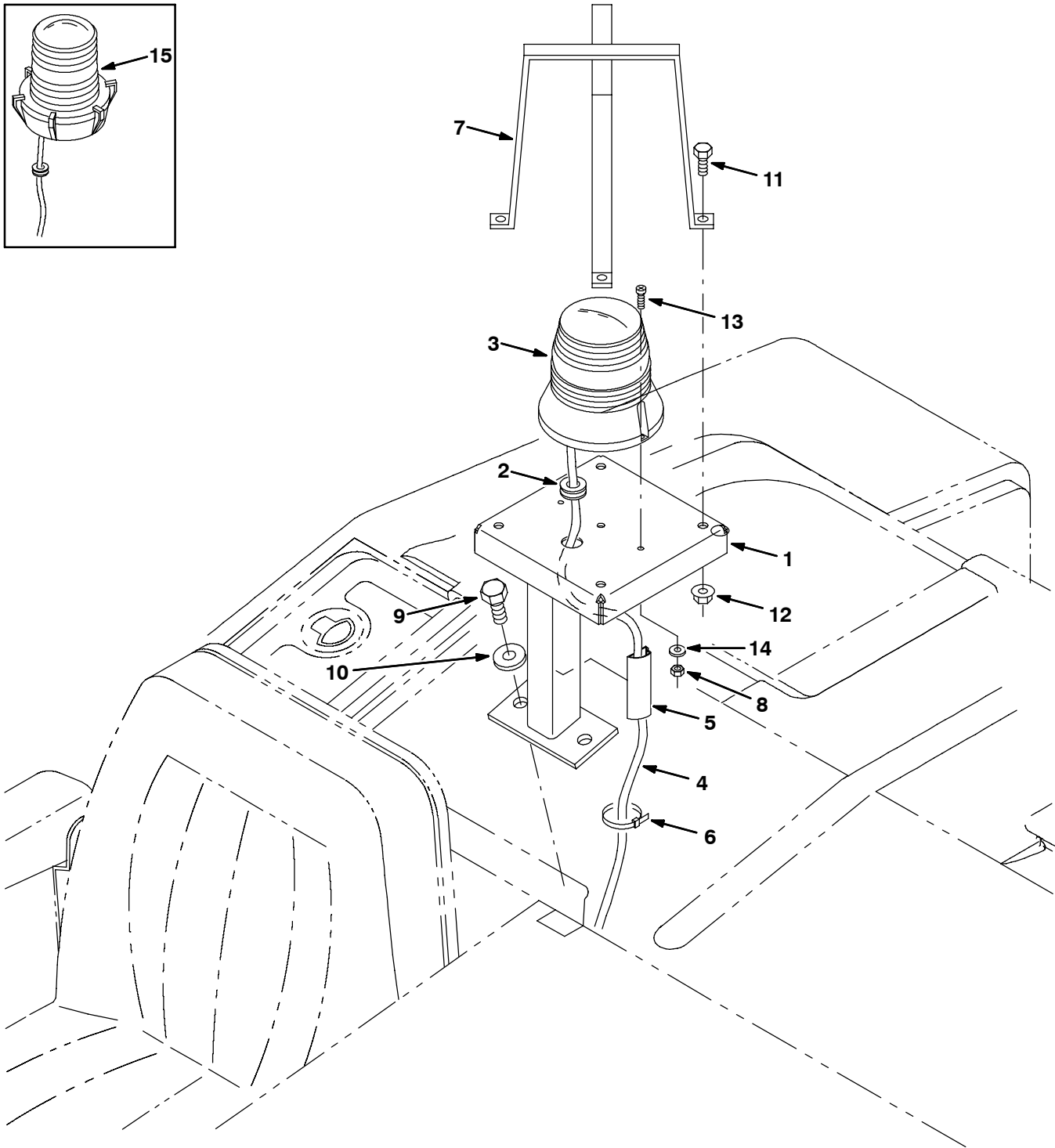


Fig. 3 - Flashing Light Kit, LRC

	Ref.	Part No.	Serial Number	Description	Qty.
	▽	25765	(000000-	) Light Kit Flsh Lrc	1
	▲	1 71645	(000000-	) Bracket Wldt, Rot Light	1
	▲	2 10632-9	(000000-	) Grommet,Rbr,0.56ld,For .13Matl	1
	▲▽	3 1017248	(007434-	) Light, Flsh, Amb, 12-48 Vdc	1
	▲▲	9000879	(007434-	) Lens, Lamp, Amb, Strobe/Flasher	1
9000846	▲▲	<del>9000845</del>	(007434-	) Lamp, Bulb, Lamp, Flsh	1
	▲	29192	(007434-	) Terminal, Ring, .250, 16/14 Awg	1
	▲	55272	(007434-	) Terminal, Bullet, .156m, 12 Awg	1
	▲	4 71543	(000000-	) Harness, Revol Light	1
	▲	5 86333	(000000-	) Duct, Vinyl .40X.75X3.5 .25D	1
	▲	6 49266	(000000-	) Tie, Cable 1.75D Max 7.50Lg	8
	▲	7 45272	(000000-	) Guard Wldt, Lights, Revl&Flsh	1
	▲	8 02850	(000000-	) Nut, Hex, Lock, M4 X 0.7, NI	2
	▲	9 41346	(000000-	) Screw, Hex, M12 X 1.75 X 30, 8.8	2
	▲	10 32486	(000000-	) Washer, Flat, 0.50 Sae	2
	▲	11 16931	(000000-	) Screw, Hex, M8 X 1.25 X 20, 8.8	2
	▲	12 07791	(000000-	) Nut, Hex, Flng, M8 X 1.25	2
	▲	13 24265	(000000-	) Screw, Pan, M4 X 0.7 X 16, Ss	2
	▲	14 19065	(000000-	) Washer, Flat, #08	2
	▽	15 82063	(000000-007433	) Light, Flashing, Amber, 12V-Re	1
	▲	58520	(000000-007433	) Lens,Flashing Lite Fr207 Amber	1
	▲	45779	(000000-007433	) Bulb, 12V .2A 32Cp #1156	1
		58518	(000000-007433	) Lens,Flashing Lite Fr207 Red	1
		58519	(000000-007433	) Lens,Flashing Lite Fr207 Blue	1

Fig. 4 - Revolving Light Kit, LRC

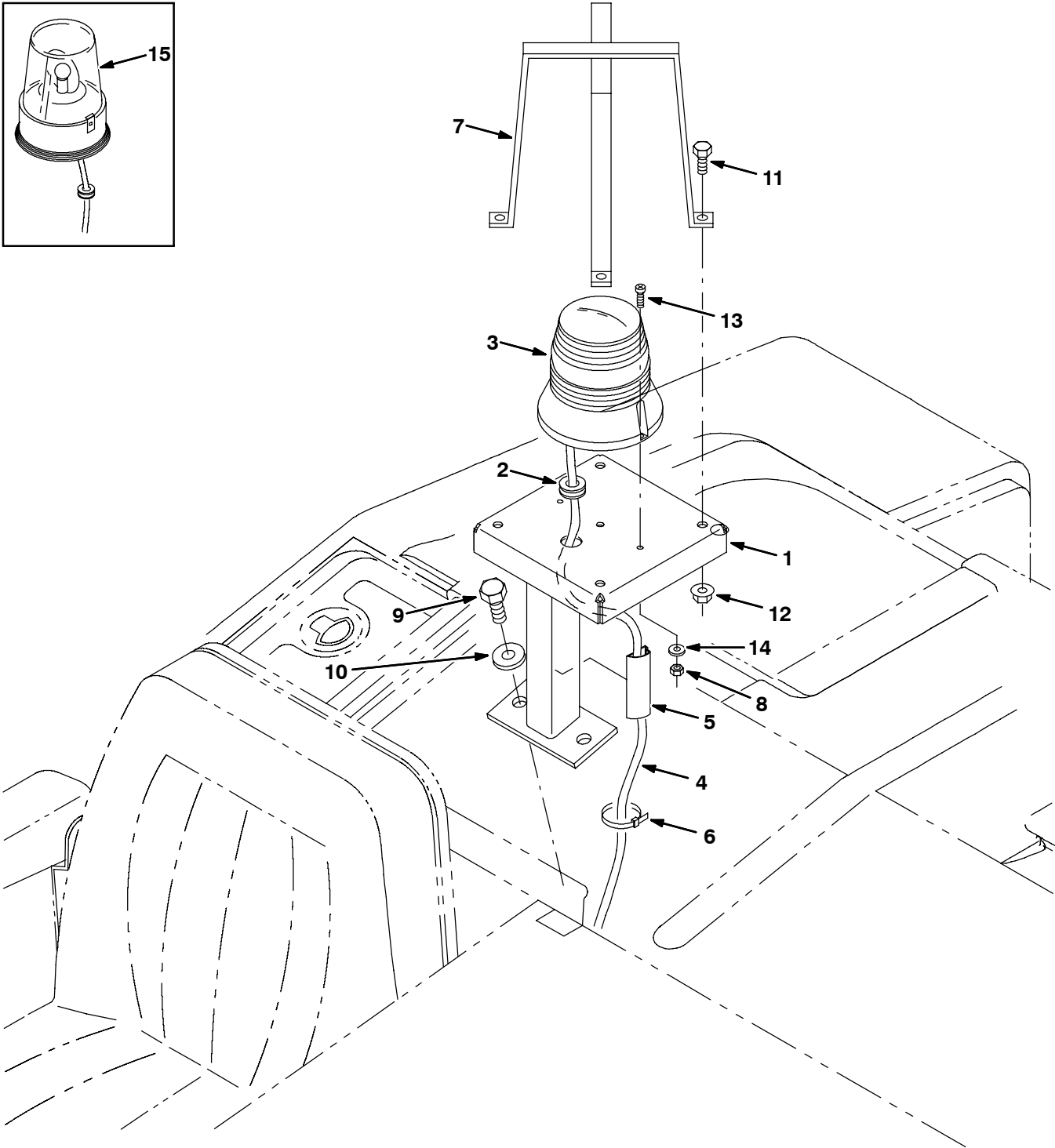




Fig. 4 - Revolving Light Kit, LRC

	Ref.	Part No.	Serial Number	Description	Qty.
	▽	25767	(000000-	) Light Kit Revol Lrc	1
	▲	1 71645	(000000-	) Bracket Wldt, Rot Light	1
	▲	2 10632-9	(000000-	) Grommet,Rbr,0.56ld,For .13Matl	1
	▲▽	3 1017250	(007433-	) Lamp Strobe, Amb, 12-80 Vdc	1
	▲▲	9000879	(007433-	) Lens, Lamp, Amb, Strobe/Flasher	1
9000845	▲▲	<del>9000846</del>	(007433-	) Lamp, Bulb, Lamp, Strobe	1
	▲	29192	(007433-	) Terminal, Ring, .250, 16/14 Awg	1
	▲	55272	(007433-	) Terminal, Bullet, .156m, 12 Awg	1
	▲	4 71543	(000000-	) Harness, Revol Light	1
	▲	5 86333	(000000-	) Duct, Vinyl .40X.75X3.5 .25D	1
	▲	6 49266	(000000-	) Tie, Cable 1.75D Max 7.50Lg	8
	▲	7 45272	(000000-	) Guard Wldt, Lights, Revol&Fish	1
	▲	8 02850	(000000-	) Nut, Hex, Lock, M4 X 0.7, NI	2
	▲	9 41346	(000000-	) Screw, Hex, M12 X 1.75 X 30, 8.8	2
	▲	10 32486	(000000-	) Washer, Flat, 0.50 Sae	2
	▲	11 16931	(000000-	) Screw, Hex, M8 X 1.25 X 20, 8.8	2
	▲	12 07791	(000000-	) Nut, Hex, Fing, M8 X 1.25	2
	▲	13 24265	(000000-	) Screw, Pan, M4 X 0.7 X 16, Ss	2
	▲	14 19065	(000000-	) Washer, Flat, #08	2
	▽	15 82200	(000000-007432	) Light,Rev.Amber 12V	1
	▲	44681-1	(000000-007432	) Lens,Rev.Light,Amber	1
	▲	45779	(000000-007432	) Bulb, 12V .2A 32Cp #1156	1
		44681	(000000-007432	) Lens,Rev.Light,Red	1
		44681-2	(000000-007432	) Lens,Rev.Light,Blue	1

**Fig. 5 - ES and Auto Fill Group**

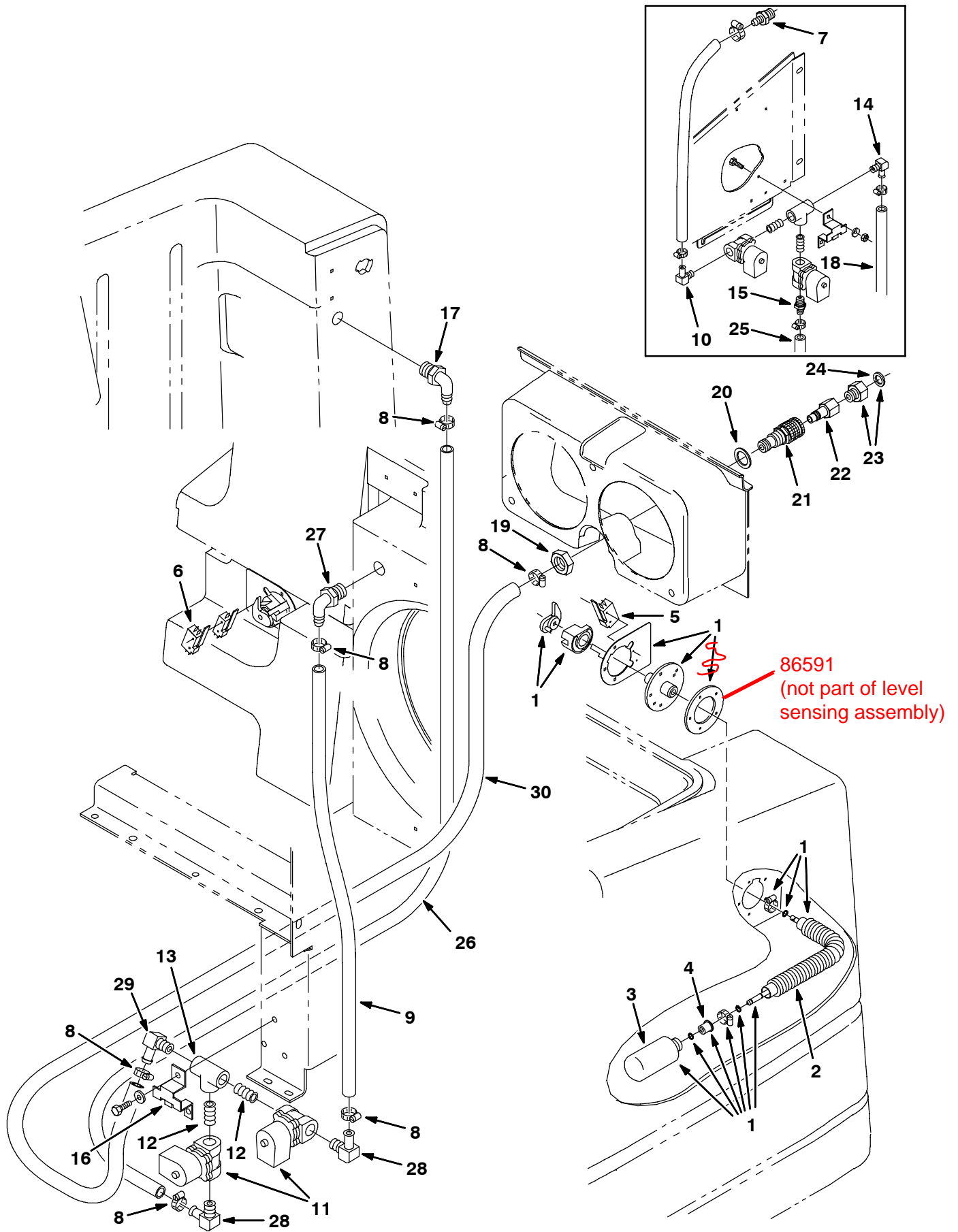
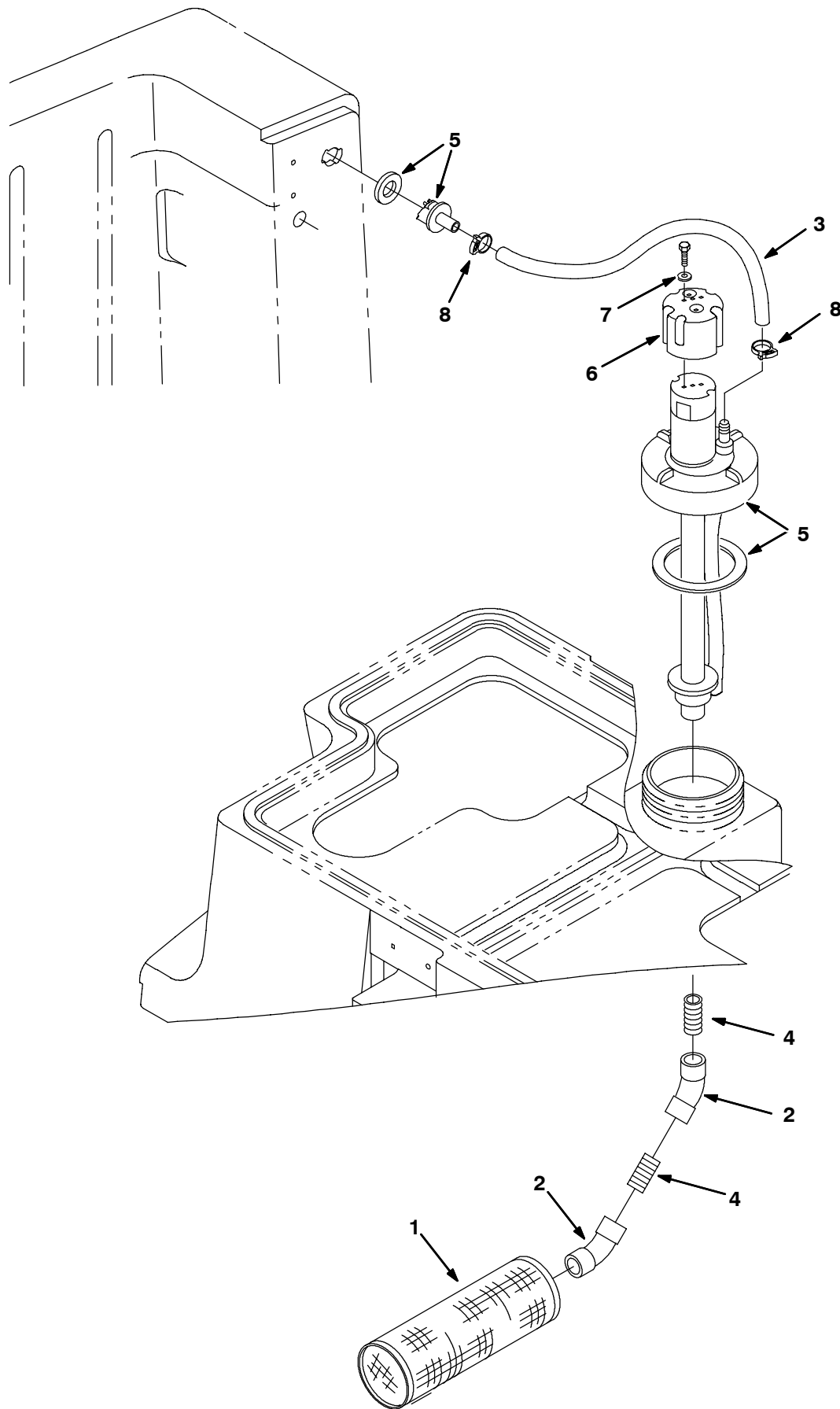


Fig. 5 - ES and Auto Fill Group

	Ref.	Part No.	Serial Number	Description	Qty.
▽	1	20956	(000000-	) Level Sensing Assy, Es	1
▲	2	73145	(000000-	) Bellows, .75 Id 10.3L	1
▲	3	50238	(000000-	) Float Bottle	1
▲	4	50256	(000000-	) Plug, Float	1
▲	5	1008147	(000000-	) Switch, Snap Actn, 250vdc 20a Dpdt	1
	6	1008147	(000000-	) Switch, Snap Actn, 250vdc 20a Dpdt	1
	7	71628	(000000-003086	) Fitting, Plastic, Str	1
	8	63810	(000000-	) Clamp, Hose, Wormdrive, 0.56-1.06d, .56w	6
	9	73472	(000000-	) Hose, Vinyl Clr, .62ldx 18.0Lg	1
	10	30268	(000000-003086	) Ftg Brs E90	1
	11	73433	(000000-	) Valve, Solenoid, 12V Dc	2
	12	1033507	(000000-	) Fitting, Brs, Str, Pm08/Pm08	2
	13	24450	(000000-	) Ftg,Brs Tee Pf08 Pf Pf	1
	14	48697	(000000-003086	) Fitting-Brs	1
	15	59901	(000000-003086	) Fitting-Brs Str	1
	16	15965	(000000-	) Plate Bent	1
	17	73468	(000000-	) Fitting-Pls E90	1
	18	73478	(000000-003086	) Hose, Vinyl Clr, .75ld x 65.0Lg	1
	19	48988	(000000-	) Nut-Hx Jam 1.00-14 Pltd	1
	20	20955	(000000-	) Washer, 1.03Lb 1.50D .036 Crs	1
	21	10678	(000000-	) Fitting, Bulkhead Fem,	1
	22	33295	(000000-	) Ftg Qkdisc, Male	1
▽	23	375322	(000000-	) Kit, Ftg, Garden Hose	1
▲	24	01316	(000000-	) Washer, .660B 1.00D .12Rbr	1
	25	59900	(000000-003086	) Hose, Vinyl Clear .62ld x 88	1
	26	71888	(003087-	) Hose, Vinyl Clr, .62ldx 63.0Lg	1
	27	73468	(003087-	) Fitting-Pls E90	1
	28	30268	(003087-	) Ftg Brs E90	2
	29	48697	(003087-	) Fitting-Brs	1
	30	71887	(003087-	) Hose, Vinyl Clr, .75ld x 58.0Lg	1

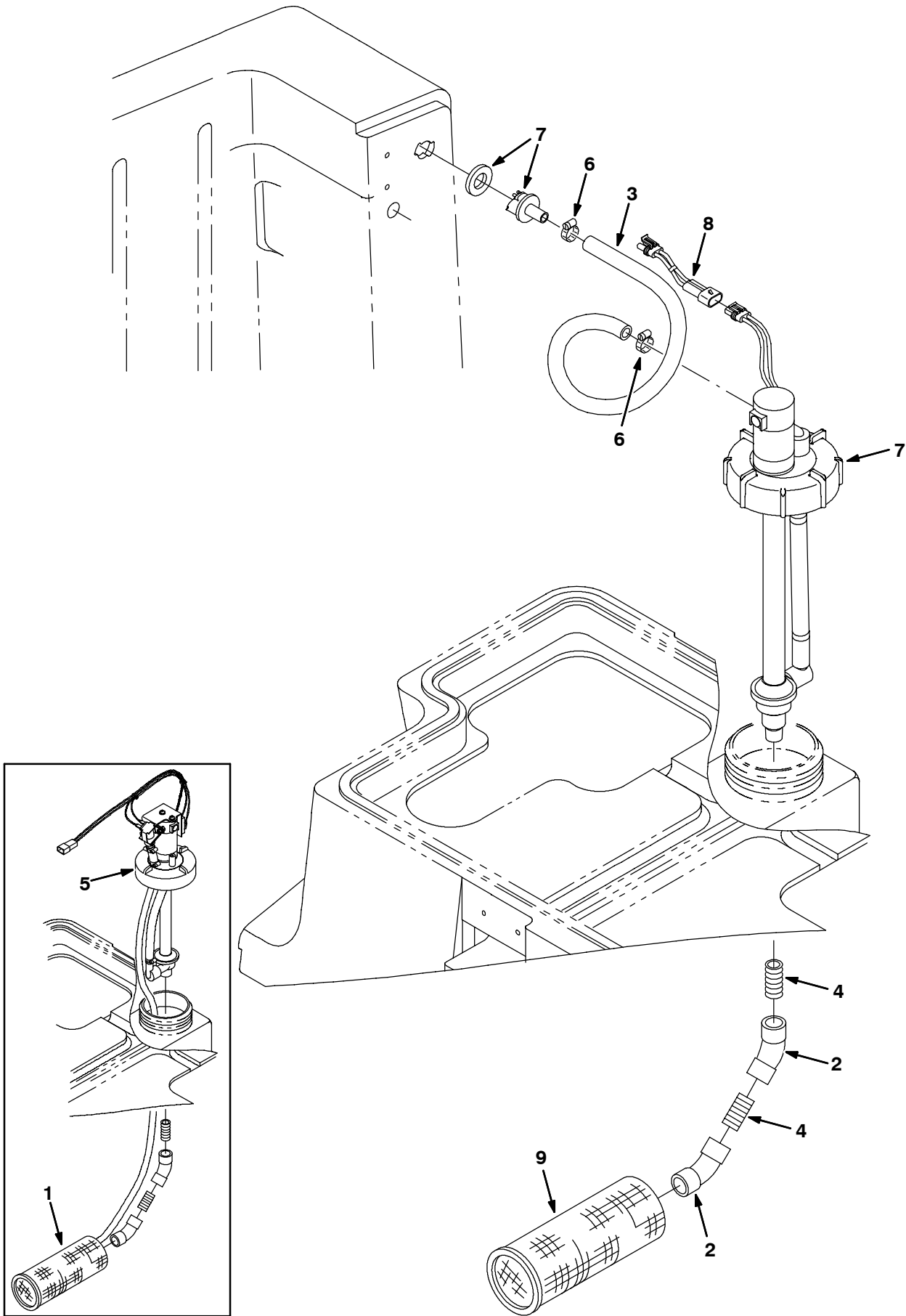
Fig. 6 - ES Pump Column Group (000000-004203)



**Fig. 6 - ES Pump Column Group (000000-004203)**

<b>Ref.</b>	<b>Part No.</b>	<b>Serial Number</b>	<b>Description</b>	<b>Qty.</b>
1	20947	(000000-004203 )	Screen, Sol Dbl Cylindrical	1
2	10575	(000000-004203 )	Fitting-Plastic E45 12Pf-12Pf	2
3	20957	(000000-004203 )	Hose, Pump	1
4	69784	(000000-004203 )	Ftg,Plstc,Nip. 0.75Ptx 1.68Lg	2
5	20914	(000000- xxxxxx )	Pump, Column, Es(See Breakdowns)(Replaced by 379005)	1
5	379005	( xxxxxx-004203 )	Pump, Column, Es(See Breakdowns)(Replaced by 81954)	1
6	77237	(000000-004203 )	Cover, Motor	1
7	01684	(000000-004203 )	Washer Flt .25 Ss	2
8	71168	(000000-004203 )	Clamp, Hose, Plastic	2

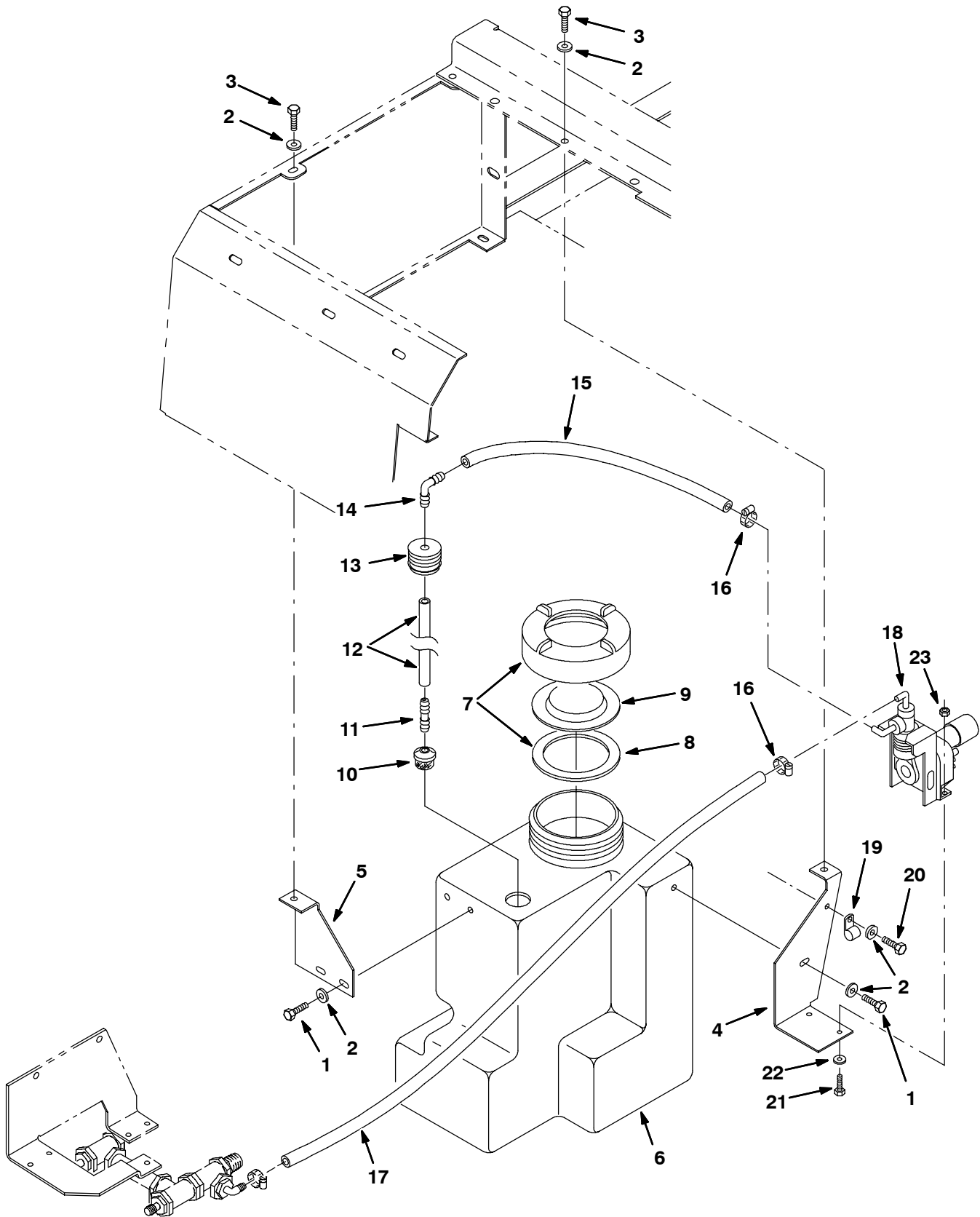
Fig. 7 - ES Pump Column Group (004204- )



**Fig. 7 - ES Pump Column Group (004204- )**

<b>Ref.</b>	<b>Part No.</b>	<b>Serial Number</b>	<b>Description</b>	<b>Qty.</b>
1	20895	(004204-007432 )	Filter, Solution	1
2	10575	(004204- )	Fitting-Plastic E45 12Pf-12Pf	2
3	73742	(004204- )	Hose, Pvc, Brd, 0.62id 0.88od 18.00l	1
4	69784	(004204- )	Ftg,Plstc,Nip. 0.75Ptx 1.68Lg	2
5	20891	(004204-007432 )	Pump, Column, Es (See Breakdowns) (Replaced by 377422)	1
6	63810	(004204- )	Clamp, Hose, Wormdrive, 0.56-1.06d, .56w	2
7	1021210	(007433- )	Pump Assy, Column, Es (See Breakdowns)	1
8	391946	(007433- )	Harness, Jumper, Pump [7400/8410]	1
9	10573	(007433- )	Strainer, Soltn, 20mesh, Cyl, 4.0d 08.0l	1

Fig. 8 - ES Detergent Tank Group

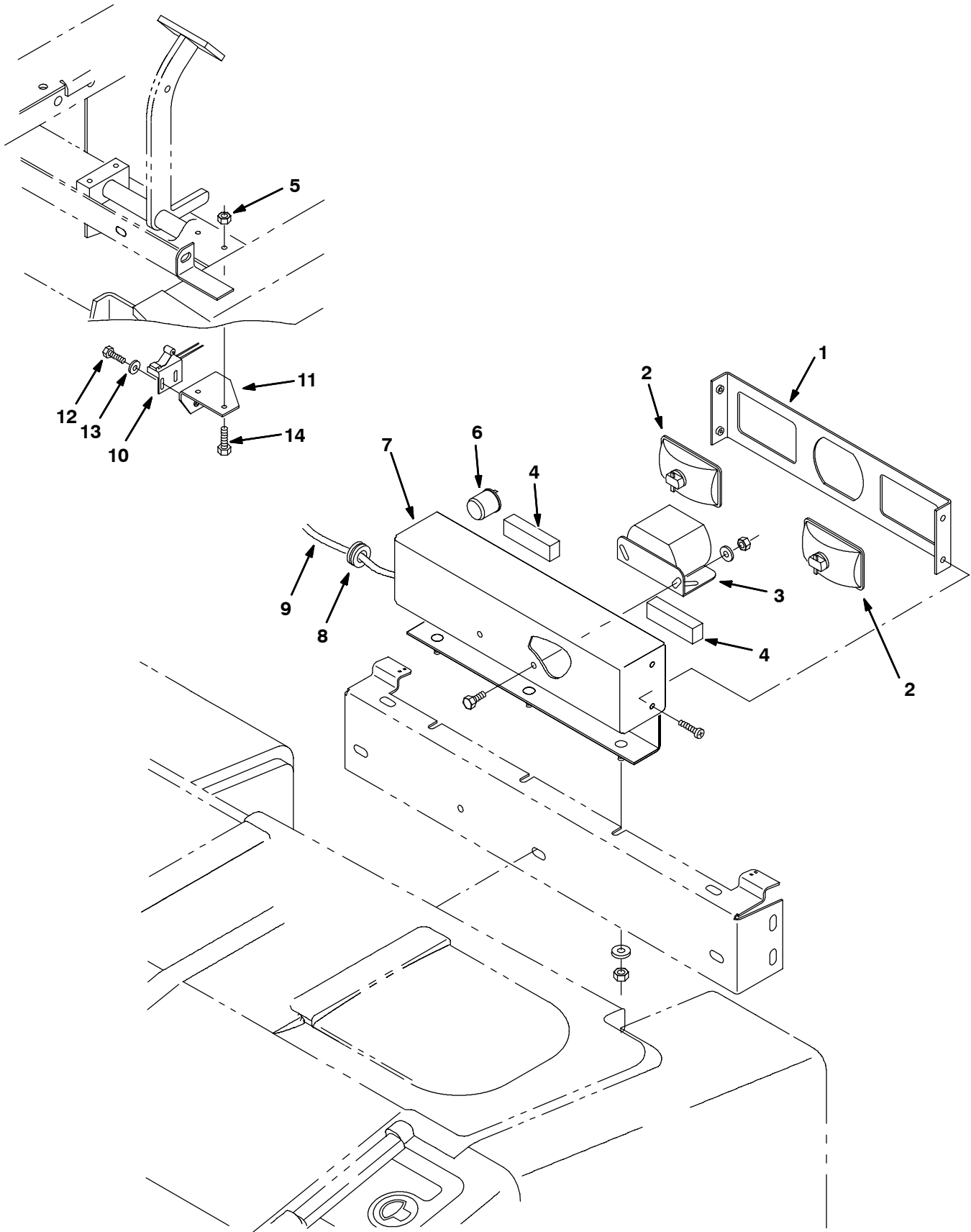




**Fig. 8 - ES Detergent Tank Group**

<b>Ref.</b>	<b>Part No.</b>	<b>Serial Number</b>	<b>Description</b>	<b>Qty.</b>
1	12273	(000000-	) Scr-Hexssm 8X1.25 20 Nylnloc	3
2	01685	(000000-	) Washer Flt .31 Ss	6
3	09740	(000000-	) Scr Hexssm 8X1.25	2
4	20942	(000000-	) Bracket, Mtg, Tank	1
5	20941	(000000-	) Bracket, Mounting, Tank	1
6	25822	(000000-	) Detergent Tank W/Label	1
▽	7	24358	(000000-) Cap Tank	1
▲	8	1031699	(000000-) Gasket, .19, 4.05id 5.29od [Buna]	1
9	86636	(000000-	) Cover Lid	1
10	20952	(000000-	) Screen, Pump, Detergent	1
11	20950	(000000-	) Fitting-Barb, Strt 3/8 Id Hose	1
12	22786	(000000-	) Hose, Vinyl, Cl Nyre .38Idx21L	1
13	20944	(000000-	) Grommet, Detergent Tank	1
14	20951	(000000-	) Fitting-Barb,90Deg,3/8 Id Hose	1
15	20999	(000000-	) Hose, Vinyl, Clear Nylon Reinf	1
16	54333	(000000-	) Clamp-Wormdrive, 0.31- 0.88D	2
17	63182-5	(000000-	) Hose Vinyl Cl.,0.38 Idx31.00Lg	1
18	73260	(000000-	) Pump, Detergent Metering (See Breakdowns)	1
19	67767	(000000-	) Clamp-Cable,.69Dia. 62Wth	1
20	09010	(000000-	) Scr Hexssm 8X1.25 25	1
21	24199	(000000-	) Scr Hesssm 5X0.8 16	2
22	01683	(000000-	) Washer Flt .31Ss	2
23	09739	(000000-	) Nut-Hxlocnyln M5X0.8 Reg Ss	2

Fig. 9 - Backup Alarm Group



**Fig. 9 - Backup Alarm Group**

	<b>Ref.</b>	<b>Part No.</b>	<b>Serial Number</b>	<b>Description</b>	<b>Qty.</b>
▽		25755	(000000-	) Kit, Ci, Alarm, Backup	1
▲	1	71651	(000000-	) Plate, Backup Alarm	1
▲	2	71653	(000000-	) Light, Backup 12V	2
▲	3	61920	(000000-	) Horn, Back-Up Alarm	2
▲	4	54338-2	(000000-	) Seal,Foam Rbr, .75 1.00W 3.5L	2
▲	5	08712	(000000-	) Nut Hxlocnyln M 6X1.0 Reg Ss	2
▲	6	24576	(000000-	) Flasher, 12vdc [Hd552ps83]	1
▲	7	71649	(000000-	) Bracket Wldt, Backup Alarm	1
▲	8	10632-9	(000000-	) Grommet,Rbr,0.56ld,For .13Matl	1
▲	9	71652	(000000-	) Harness, Back Up Alarm	1
▲	10	59962	(000000-	) Switch, Roller	1
▲	11	71648	(000000-	) Bracket, Switch	1
▲	12	09738	(000000-	) Scr Hexssm 5X0.8 12	2
▲	13	01683	(000000-	) Washer Flt 10 Ss	2
▲	14	08716	(000000-	) Screw Hex Ssm 6 X 1.0 20	2

Fig. 10 - Side Brush Mount Group

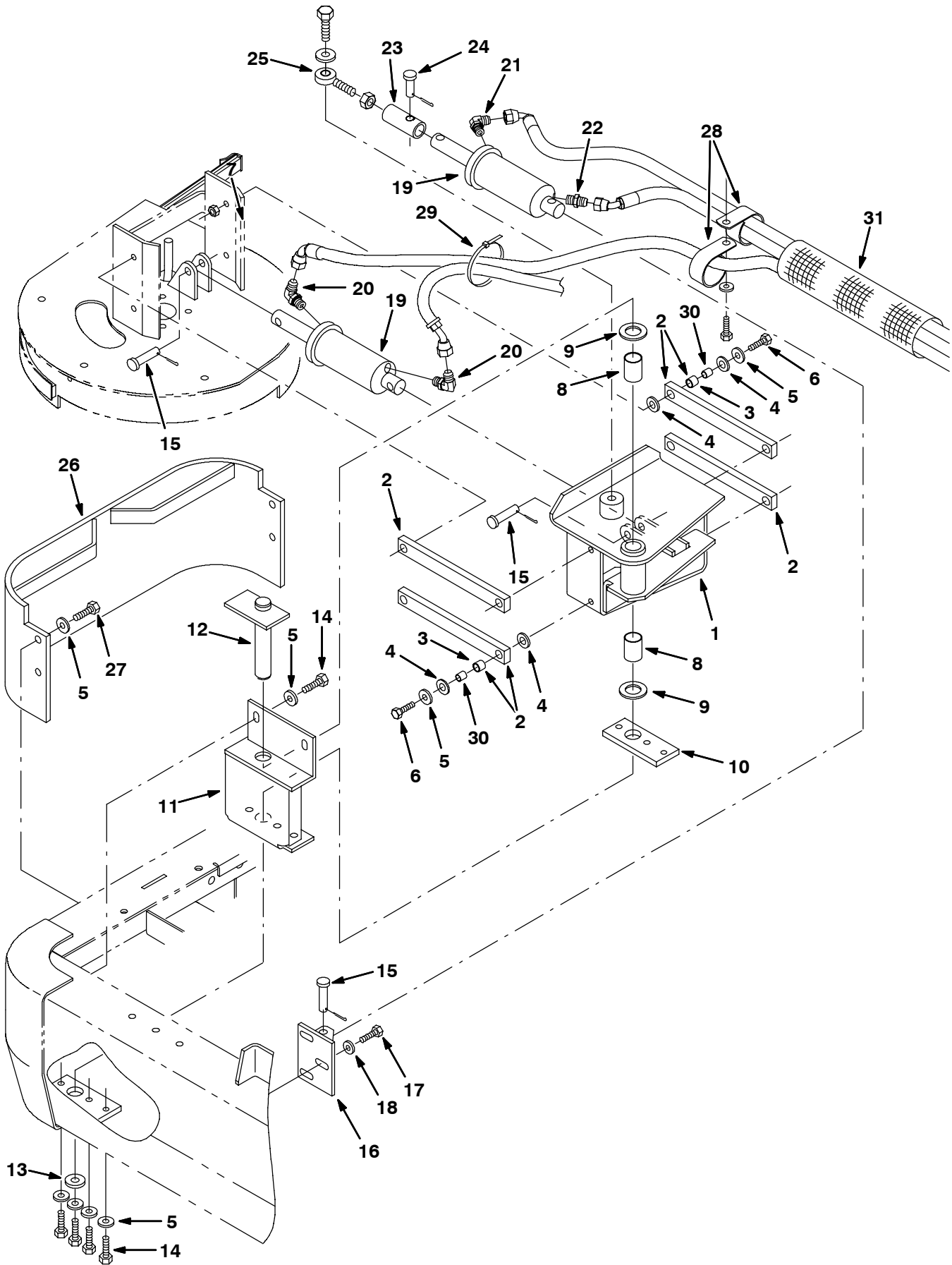
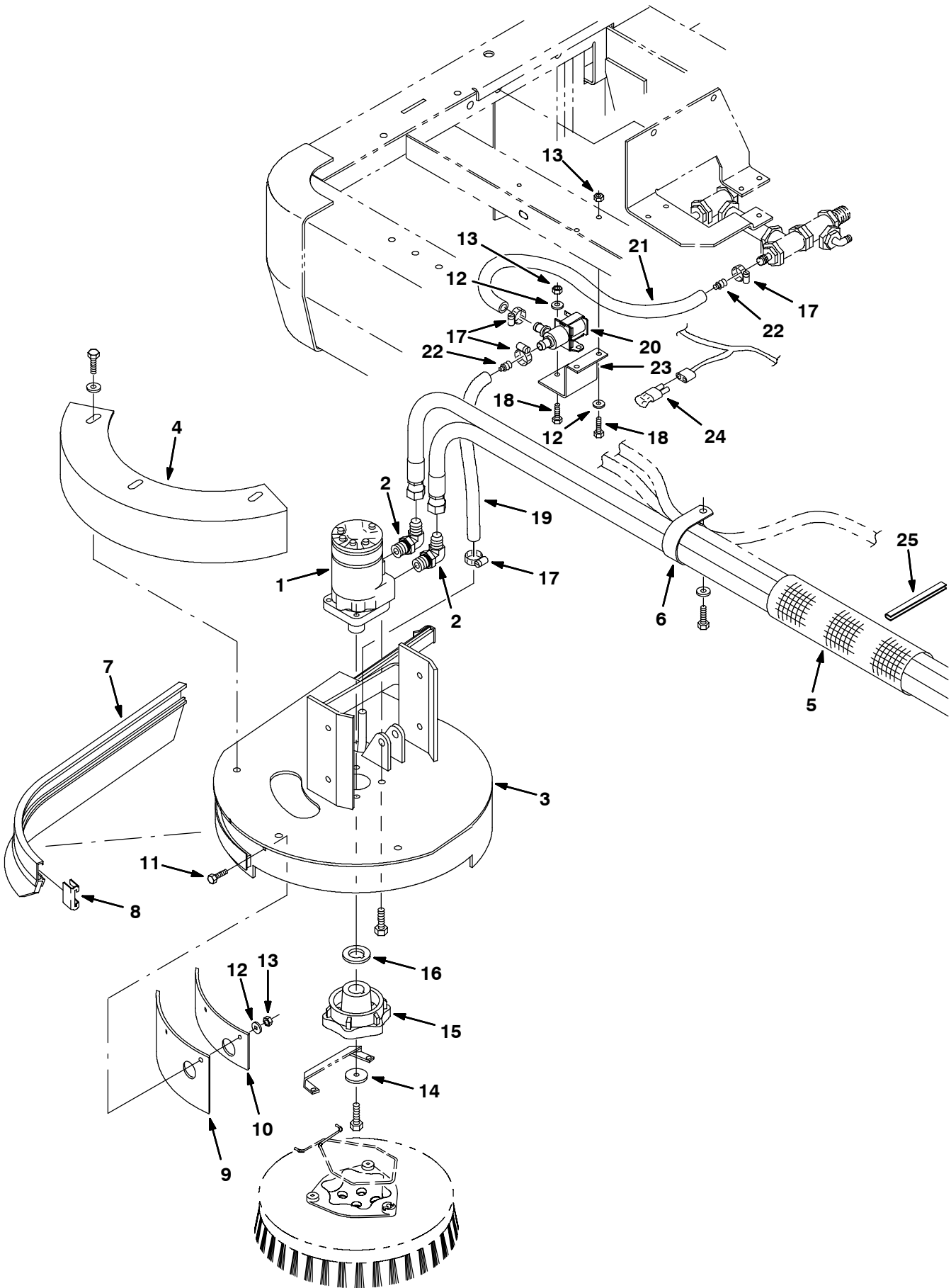


Fig. 10 - Side Brush Mount Group

Ref.	Part No.	Serial Number	Description	Qty.	
1	71855	(000000-	) Pivot Wldt, Side Brush	1	
▽	2	63175-1	(000000-	) Arm Assy, Link	4
▲	3	63233	(000000-	) Bushing, Sleeve, 0.50b 0.59d 0.50l, Bnz	2
	4	59633	(000000-	) Bearing, Thrust - Fiberglide	16
	5	01685	(000000-	) Washer Flt .31 Ss	18
	6	36845	(000000-	) Scr Hexss.38-16X1.50	8
	7	59156	(000000-	) Nut-Hxlocnyln .38-16 Regss18-8	8
	8	71868	(000000-	) Bearing, Sleeve, 1ldx1.12Odx1.5	2
	9	71869	(000000-	) Bearing, Thrust, 11D X 1.75 Od	2
	10	71866	(000000-	) Plate, Pin Retaining, S Br	1
	11	71860	(000000-	) Channel Wldt, Mtg, S Br	1
	12	71863	(000000-	) Pin Wldt, S Br	1
	13	41619	(000000-	) Washer Flt .50 Ss	2
	14	09028	(000000-	) Scr Hexssm10X1.5 25	6
	15	63147	(000000-	) Pin,Clevis,0.50 Dia.X 1.87 Lg	3
	16	71815	(000000-	) Bracket Wldt, Mounting, Cyl	1
	17	09740	(000000-	) Scr Hexssm 8X1.25	3
	18	01685	(000000-	) Washer Flt .31 Ss	3
	19	1028042	(000000-	) Cylinder, Hyd, 2.0b 08.0l 04.00strk 2500	2
	20	77097	(000000-	) Ftg-Hyd E90 Jm04/Om04	2
	21	77098	(000000-	) Ftg-Hyd E90 Jm06/Om04	1
	22	50960	(000000-	) Ftg-Hyd Str Jm06/Om04	1
	23	71832	(000000-	) Adaptor, Rod-End, S Br	1
	24	06598	(000000-	) Pin,Clevis,0.50 Dia.X 1.42 Lg	1
	25	71874	(000000-	) Rod-End,Ball Joint,Male,.50	1
	26	71870	(000000-	) Bumper Wldt, S Br	1
	27	09291	(000000-	) Scr Hexssm10X1.5 20	4
	28	53466	(000000-	) Clamp-Cable, 1.50Dia 1.00W	2
	29	44961	(000000-	) Tie, Cable 4.00 Max 14.50Lg	6
	30	63234	(000000-	) Tube, 0.50d 0.38b 0.6l Ss	8
	31	82830	(000000-	) Sleeve, Nylon 16.0L	1

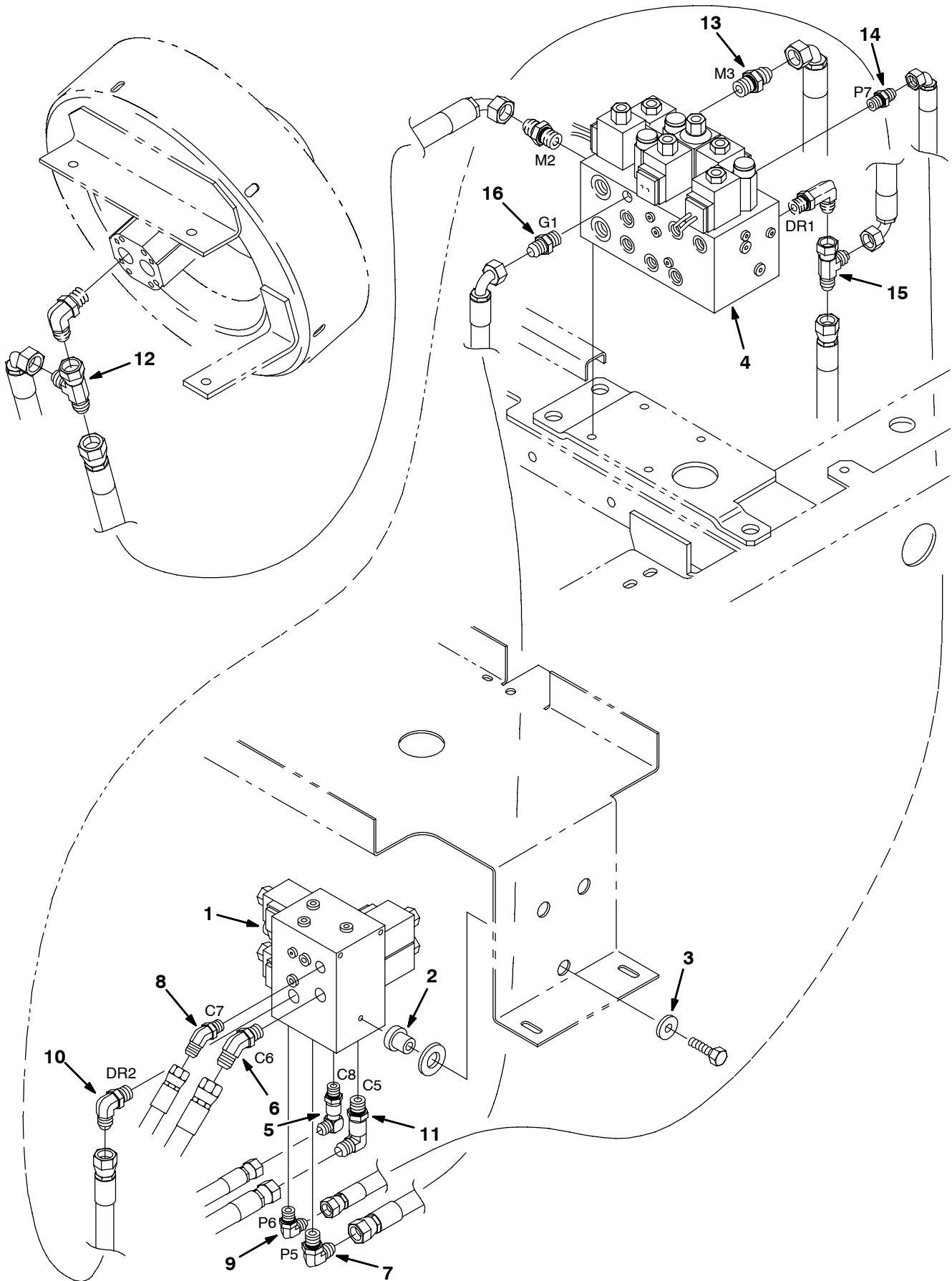
Fig. 11 - Side Brush Motor Group



**Fig. 11 - Side Brush Motor Group**

<b>Ref.</b>	<b>Part No.</b>	<b>Serial Number</b>	<b>Description</b>	<b>Qty.</b>
1	71722	(000000-004575 )	Motor, Hyd Gear (See Breakdowns) (Replaced by 369820)	1
1	369816	(004576-006238 )	Motor, Hyd Gear (See Breakdowns) (Replaced by 377350)	1
1	397692	(006239- )	Motor, Hyd Gear (See Breakdowns)	1
2	56821	(000000- )	Ftg-Hyd E90 Jm08/Om10	2
3	71808	(000000- )	Housing Wldt, Side Brush	1
4	71825	(000000- )	Guard Wldt, Sqge, S Br	1
5	57224	(000000- )	Sleeve, Nylon 16.0L	1
6	53466	(000000- )	Clamp-Cable, 1.50Dia 1.00W	1
7	71839	(000000- )	Squeegee Assy, S Br	1
8	86759	(000000- )	Retainer, Squeegee	1
9	12678	(000000- )	Skirt, Side Brush	1
10	12677	(000000- )	Retainer, Side Brush	1
11	09007	(000000- )	Scr Hexssm 6X1.0 25	3
12	01684	(000000- )	Washer Flt .25 Ss	7
13	08712	(000000- )	Nut Hxlocnyln M 6X1.0 Reg Ss	7
14	19191	(000000- )	Spacer Hub	1
15	377359	(000000- )	Hub, Drive, Brush, Disk, 1.00b 6t	1
16	25611	(000000- )	Spacer Hub	1
17	54333	(000000- )	Clamp-Wormdrive, 0.31- 0.88D	4
18	08716	(000000- )	Screw, Hex Ssm 6 X 1.0 20	4
19	65587	(000000- )	Hose, Pvc, .50Idx.73Od 34.0Lg	1
20	369850	(000000- )	Valve, Water, Solenoid	1
21	45487-6	(000000- )	Hose Vinyl Cl.,0.50 Idx15.0 Lg	1
22	25620	(000000- )	Ftg, Plastic Str Barb.25H/.50H	2
23	20801	(000000- )	Bracket, Sol Control, Sb	1
24	222290	(000000- )	Diode, Ele, Plug	1
25	57564	(000000- )	Molding, Trim 11-14Ga 5.00	1

Fig. 12 - Side Brush Hydraulic Group (000000-005613)

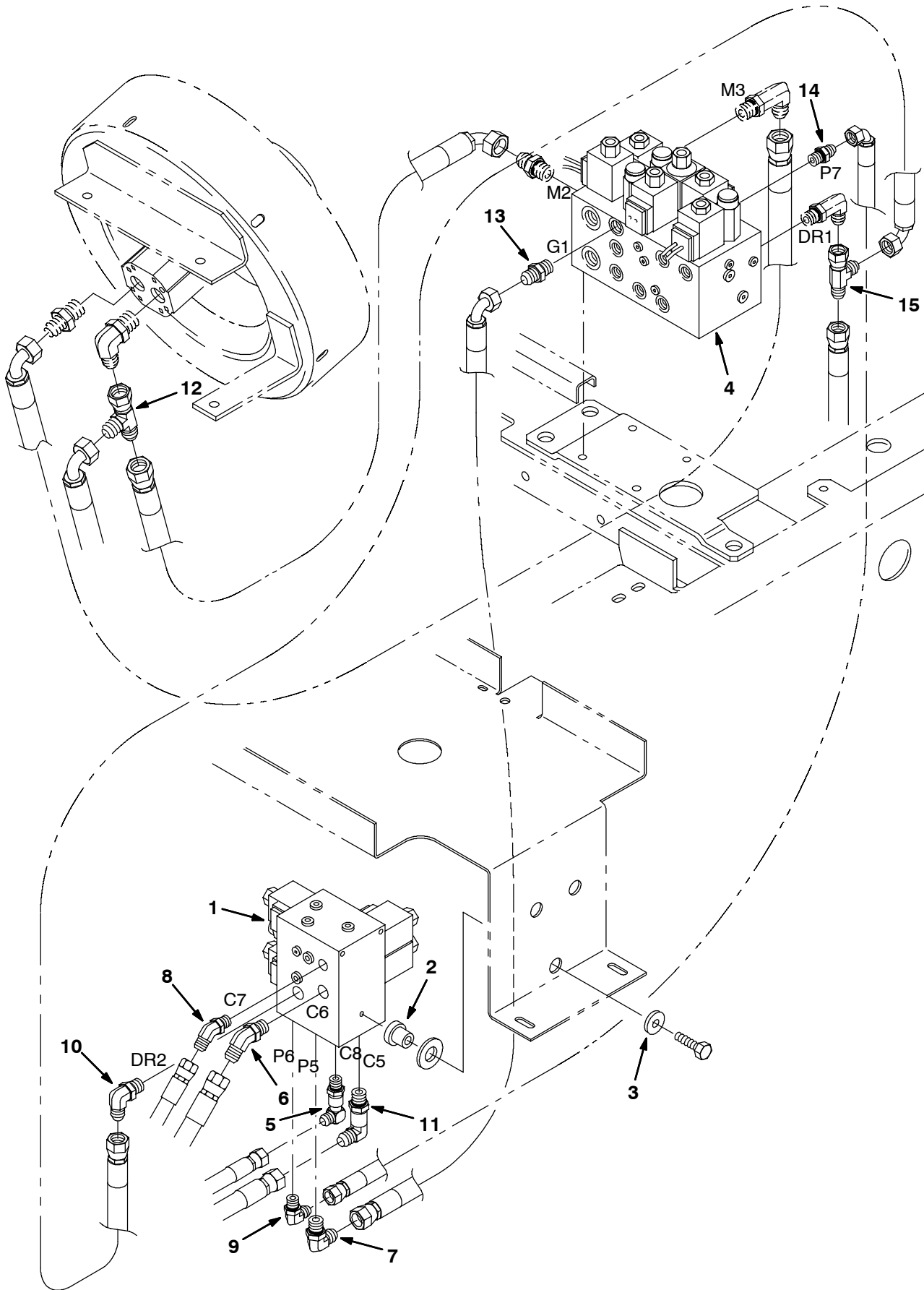




**Fig. 12 - Side Brush Hydraulic Group (000000-005613)**

<b>Ref.</b>	<b>Part No.</b>	<b>Serial Number</b>	<b>Description</b>	<b>Qty.</b>
1	71708	(000000-005613 )	Valve, Hyd Contol Sol (See Breakdowns)	1
2	54274	(000000-005613 )	Isolator-Vibration,125Lb.Ratng	3
3	13248	(000000-005613 )	Washer .400B 1.12D .12Cr Znc	3
4	71760	(000000-005613 )	Valve Assy, Side Brush (See Breakdowns)	1
4	71762	(000000-005613 )	Valve Assy, Side Br, Nylon Br (See Breakdowns)	1
5	82825	(000000-005613 )	Ftg-Hyd E90 Jm04/Om04	1
6	47522	(000000-005613 )	Ftg-Hyd E45 Jm06/Om06	1
7	56820	(000000-005613 )	Ftg-Hyd E90 Jm06/Om06	1
8	34359	(000000-005613 )	Ftg-Hyd E45 Jm04/Om04	1
9	77097	(000000-005613 )	Ftg-Hyd E90 Jm04/Om04	1
10	56820	(000000-005613 )	Ftg-Hyd E90 Jm06/Om06	1
11	71727	(000000-005613 )	Fitting-Hyd E90	1
12	45482	(000000-005613 )	Ftg-Hyd Tee Jm08Jmjf	1
13	44869	(000000-005613 )	Ftg-Hyd Str Jm08/Om08	1
14	55586	(000000-005613 )	Ftg-Hyd Str Jm04/Om04	1
15	42215	(000000-005613 )	Ftg-Hyd Tee Jm06Jmjf	1
16	56690	(000000-005613 )	Ftg-Hyd Str Jm06/Om06	1

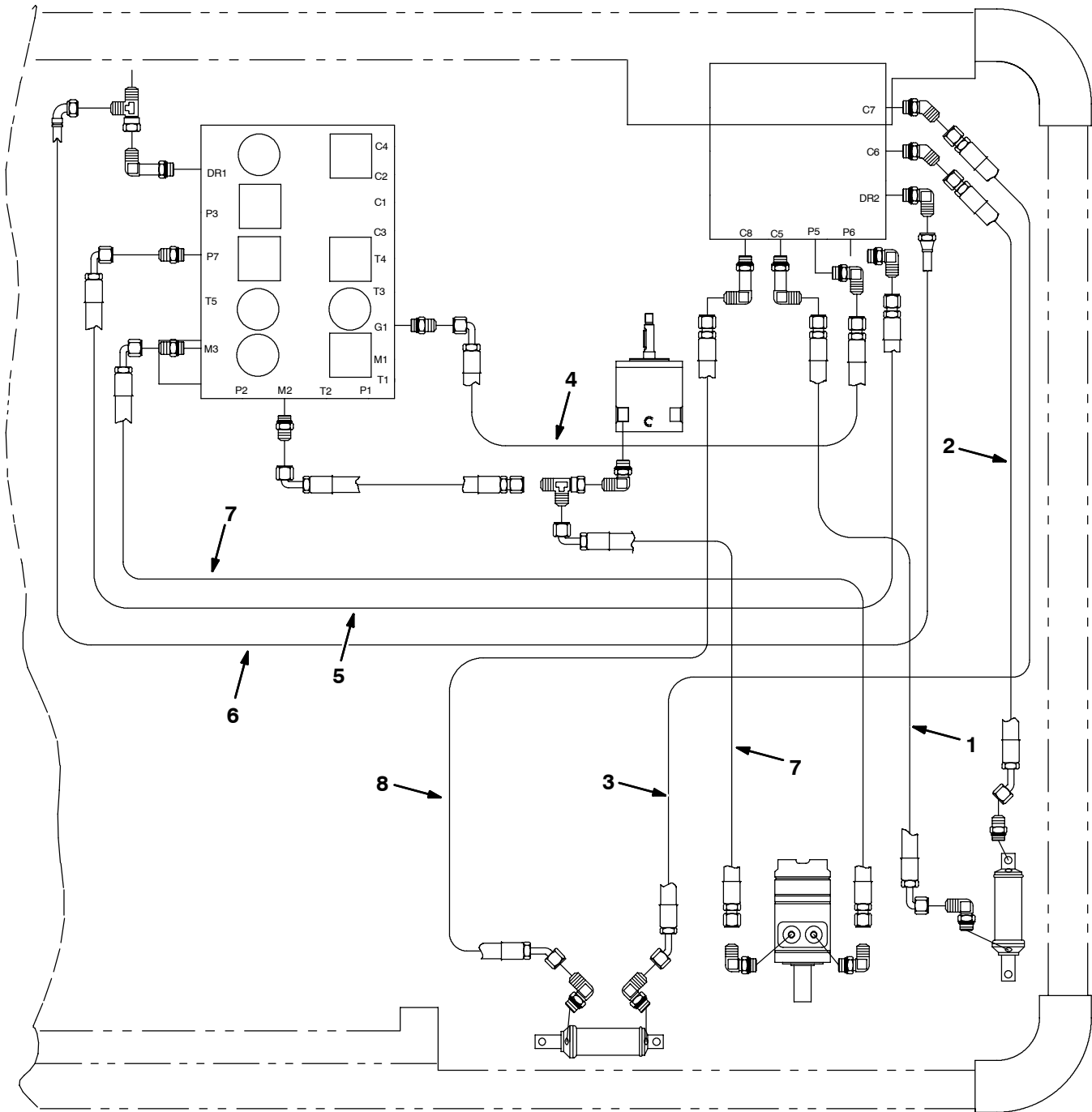
Fig. 13 - Side Brush Hydraulic Group (005614- )



**Fig. 13 - Side Brush Hydraulic Group (005614- )**

<b>Ref.</b>	<b>Part No.</b>	<b>Serial Number</b>	<b>Description</b>	<b>Qty.</b>
1	71708	(005614-	) Valve, Hyd Contol Sol (See Breakdowns)	1
2	54274	(005614-	) Isolator-Vibration,125Lb.Ratng	3
3	13248	(005614-	) Washer .400B 1.12D .12Cr Znc	3
4	71760	(005614-	) Valve Assy, Side Brush (See Breakdowns)	1
4	71762	(005614-	) Valve Assy, Side Br, Nylon Br (See Breakdowns)	1
5	82825	(005614-	) Ftg-Hyd E90 Jm04/Om04	1
6	47522	(005614-	) Ftg-Hyd E45 Jm06/Om06	1
7	56820	(005614-	) Ftg-Hyd E90 Jm06/Om06	1
8	34359	(005614-	) Ftg-Hyd E45 Jm04/Om04	1
9	77097	(005614-	) Ftg-Hyd E90 Jm04/Om04	1
10	56820	(005614-	) Ftg-Hyd E90 Jm06/Om06	1
11	71727	(005614-	) Fitting-Hyd E90	1
12	45482	(005614-	) Ftg-Hyd Tee Jm08Jmjf	1
13	56690	(005614-	) Ftg-Hyd Str Jm06/Om06	1
14	55586	(005614-	) Ftg-Hyd Str Jm04/Om04	1
15	42215	(005614-	) Ftg-Hyd Tee Jm06Jmjf	1

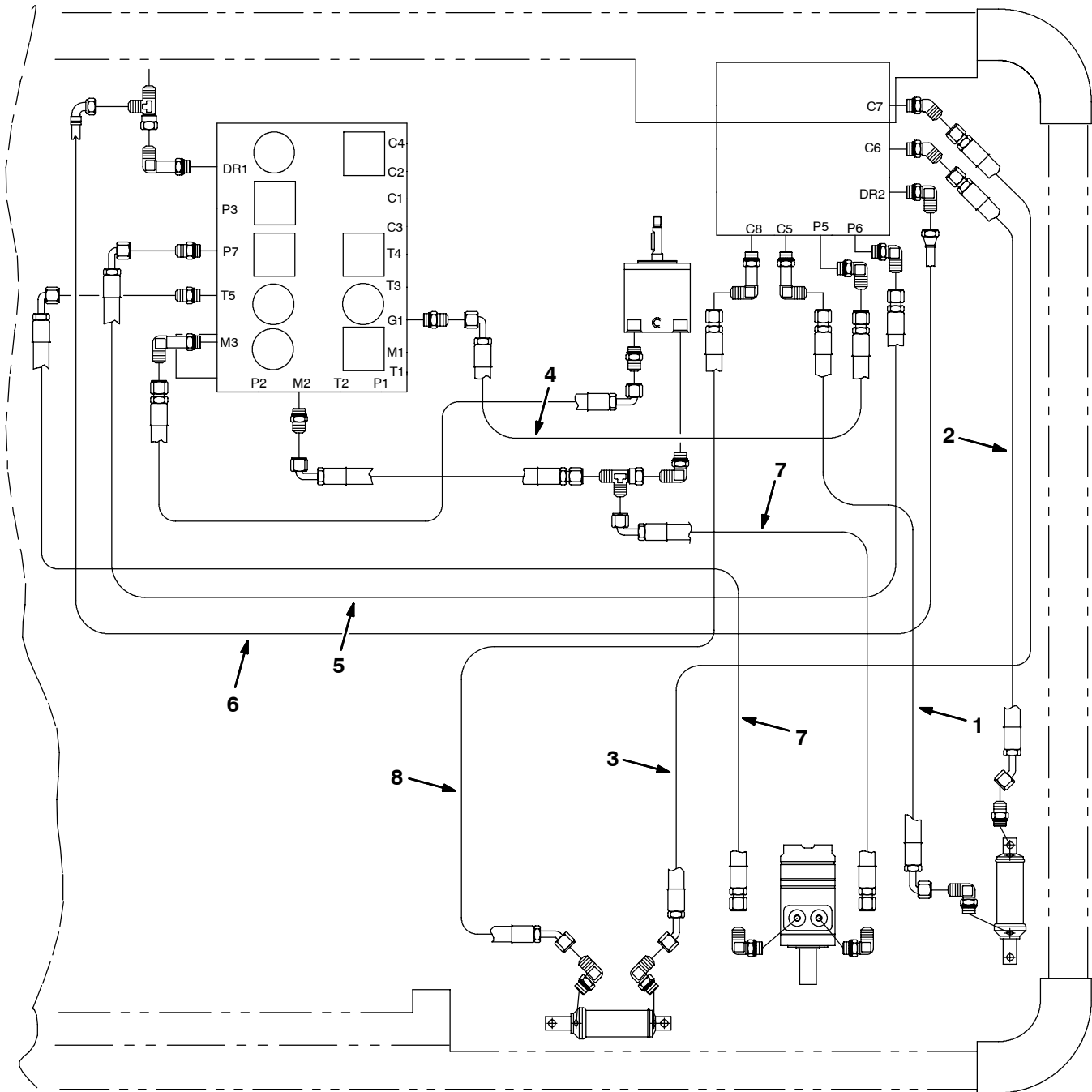
**Fig. 14 - Side Brush Hydraulic Hose Group (00000-005613)**



**Fig. 14 - Side Brush Hydraulic Hose Group (000000-005613)**

<b>Ref.</b>	<b>Part No.</b>	<b>Serial Number</b>	<b>Description</b>	<b>Qty.</b>
1	31596	(000000-005613 )	Hose-Hyd Med06 Jf/J9	1
2	71757	(000000-005613 )	Hose-Hyd Med06 Jf/J4	1
3	71756	(000000-005613 )	Hose-Hyd Ar 04 Jf/J4	1
4	71747	(000000-005613 )	Hose-Hyd Med06	1
5	71748	(000000-005613 )	Hose-Hyd Med04	1
6	31598	(000000-005613 )	Hose-Hyd Med06 Jf/J9	1
7	71751	(000000-005613 )	Hose-Hyd Ar08	2
8	59581	(000000-005613 )	Hose-Hyd Ar 04 Jf/J4	1

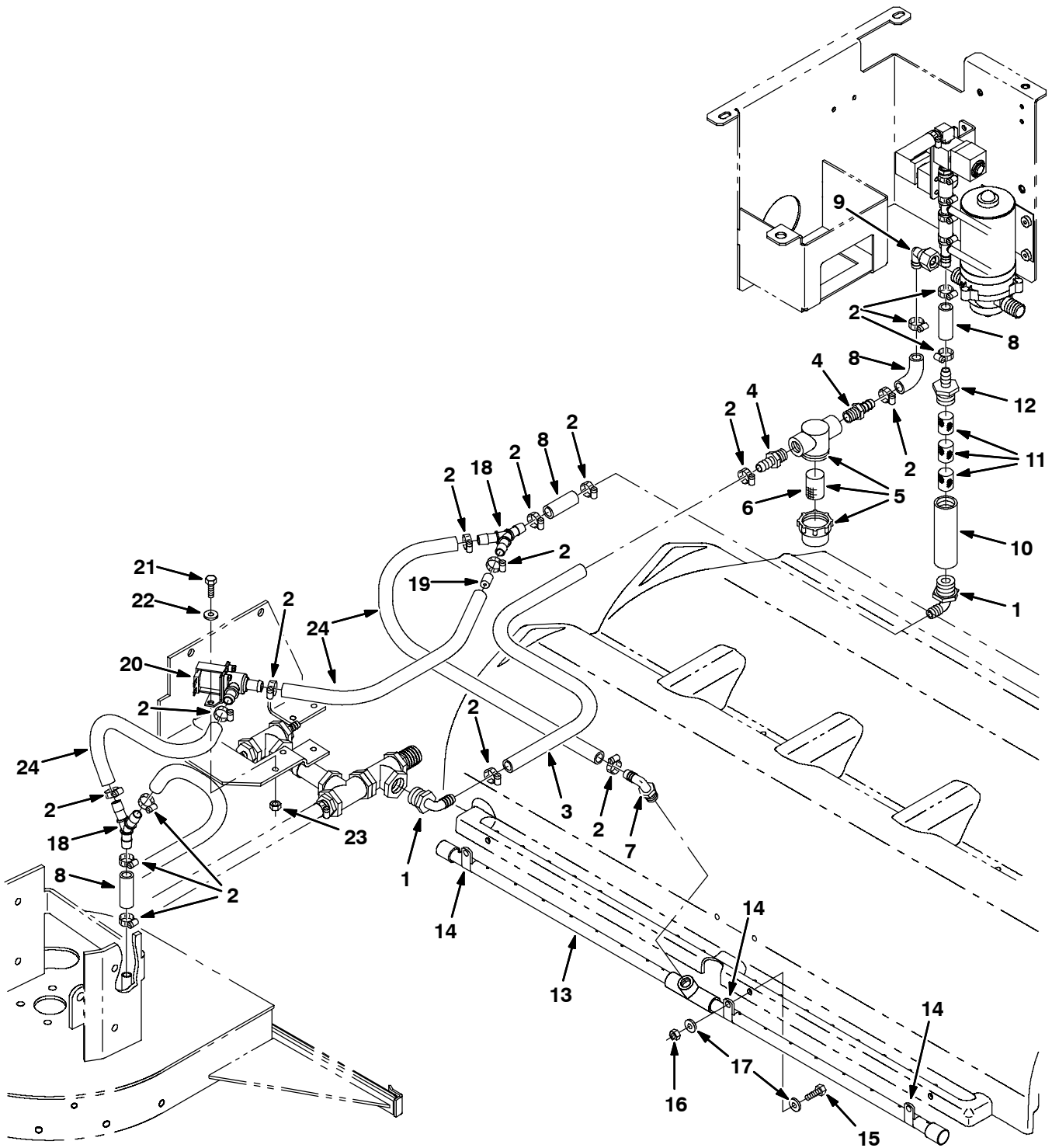
**Fig. 15 - Side Brush Hydraulic Hose Group (005614- )**



**Fig. 15 - Side Brush Hydraulic Hose Group (005614- )**

<b>Ref.</b>	<b>Part No.</b>	<b>Serial Number</b>	<b>Description</b>	<b>Qty.</b>
1	31596	(005614-	) Hose-Hyd Med06 Jf/J9	1
2	71757	(005614-	) Hose-Hyd Med06 Jf/J4	1
3	71756	(005614-	) Hose-Hyd Ar 04 Jf/J4	1
4	71747	(005614-	) Hose-Hyd Med06	1
5	71748	(005614-	) Hose-Hyd Med04	1
6	31598	(005614-	) Hose-Hyd Med06 Jf/J9	1
7	71751	(005614-	) Hose-Hyd Ar08	2
8	59581	(005614-	) Hose-Hyd Ar 04 Jf/J4	1

Fig. 16 - Side Brush FaST Foam Filter Group

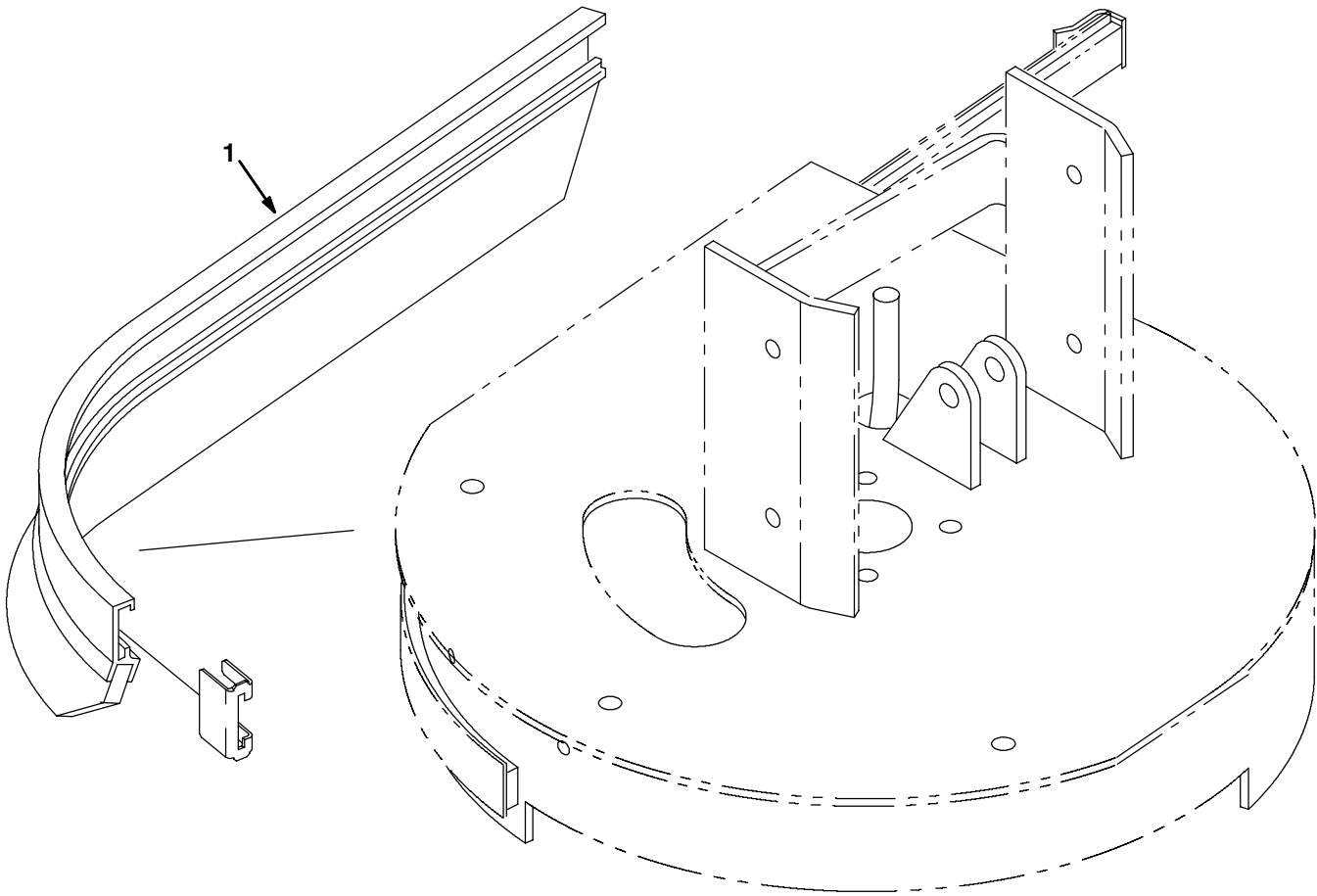




**Fig. 16 - Side Brush FaST Foam Filter Group**

<b>Ref.</b>	<b>Part No.</b>	<b>Serial Number</b>	<b>Description</b>	<b>Qty.</b>	
1	1005552	(007549-	) Fitting, Plstc, E90, Bm08/Pm12, Nyl	2	
2	54333	(007549-	) Clamp, Hose, Wormdrive, 0.31-0.88d, .31w	16	
3	1006401	(007549-	) Hose, Afmkt, Pvc, Brd 0.50id 3ft	1	
4	64743	(007549-	) Fitting, Plstc, Str, Bm08/Pm06	2	
▽	5	1005302	(007549-	) Filter, Inline, Pf06/Pf06, 80 Mesh	1
▲	6	1005304	(007549-	) Screen, Fltr, 80 Mesh	1
7	64778	(007549-	) Fitting, Plstc, E90, Bm08/Pm06	1	
8	1011403	(007549-	) Hose, Afmkt, Pvc, Brd 0.50id 1ft	4	
9	1018499	(007549-	) Fitting, Plstc, E90, Swivel, Bm08/Pf08s	1	
10	1005086	(007549-	) Tube, Pvc, Shc80, Clr, 4.0l	1	
11	1002789	(007549-	) Filter, Foam	3	
12	79273-1	(007549-	) Fitting, Plstc, Str, Bm08/Pm12	1	
13	1018337	(007549-	) Tube Assy, Spray, Cyl, 1000mm [7400]	1	
14	67767	(007549-	) Clamp, Cable, Stl, 0.69d X 0.62w, 1h	3	
15	08716	(007549-	) Screw, Hex, M6 X 1.0 X 20, Ss	3	
16	08712	(007549-	) Nut, Hex, Lock, M6 X 1.0, Ss, NI	3	
17	01684	(007549-	) Washer, Flat, 0.25 Ss	6	
18	1010668	(007549-	) Fitting, Plstc, Y, Bm08/Bm08/Bm08 Nyl	2	
19	1018333	(007549-	) Fitting, Plstc, Rst, .50 Od/.125 Id	1	
20	369850	(007549-	) Valve, Water, Sol, 12vdc, 10bm/10bm	1	
21	08716	(007549-	) Screw, Hex, M6 X 1.0 X 20, Ss	2	
22	01684	(007549-	) Washer, Flat, 0.25 Ss	2	
23	08712	(007549-	) Nut, Hex, Lock, M6 X 1.0, Ss, NI	2	
24	1015070	(007549-	) Hose, Afmkt, Pvc, Clr 0.50id 2ft	3	

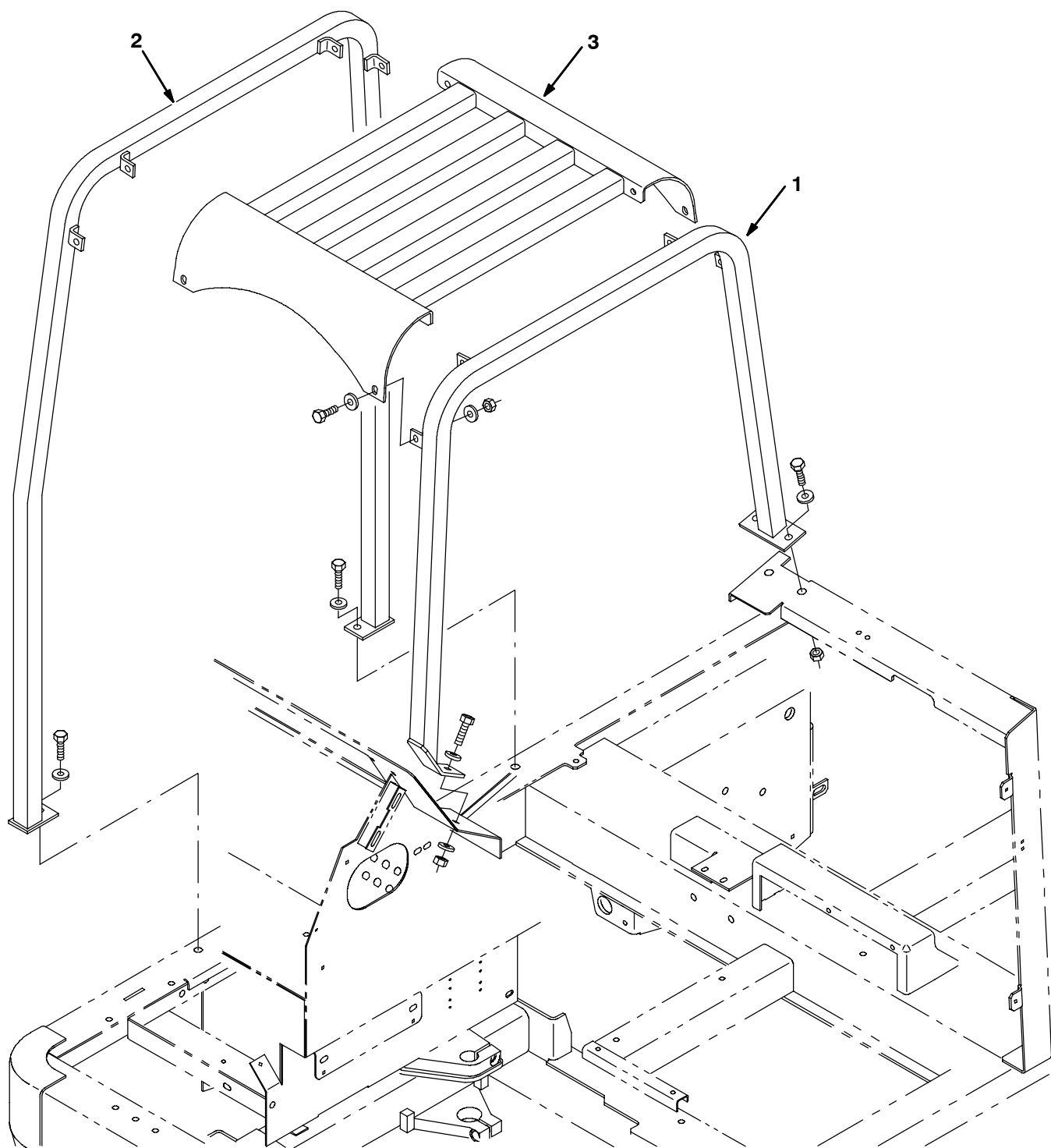
**Fig. 17 - Urethane Side Brush Squeegee Assembly**



10877 - NA, JP

Ref.	Part No.	Serial Number	Description	Qty.
1	71355	(000000-	) Squeegee Assy, S Br Urethane	1

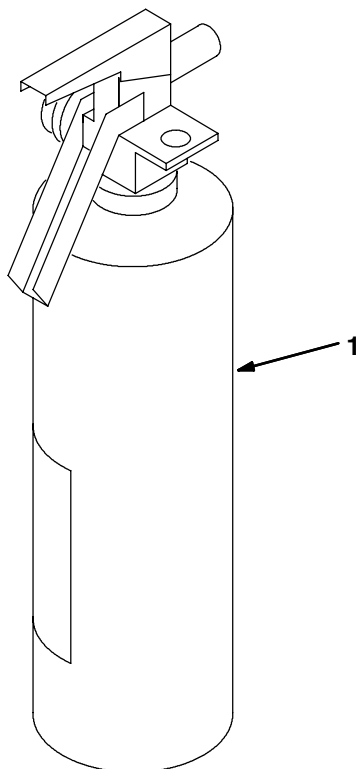
Fig. 18 - Overhead Guard Kit



10781 - NA, JP

Ref.	Part No.	Serial Number	Description	Qty.
▽	25769	(000000-	) Guard Kit, Overhead	1
▲	1 25744	(000000-	) Tube Wldt, Leg, Ohg, Lh	1
▲	2 25745	(000000-	) Tube Wldt, Leg, Ohg, Rh	1
▲	3 25746	(000000-	) Guard Wldt, Oh, Top	1

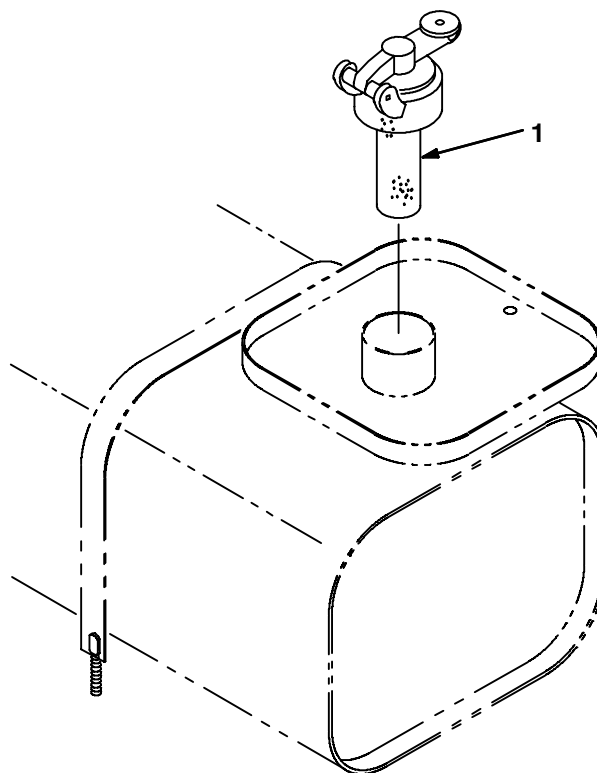
**Fig. 19 - Fire Extinguisher Kit**



07516 - NA, JP

	<b>Ref.</b>	<b>Part No.</b>	<b>Serial Number</b>	<b>Description</b>	<b>Qty.</b>
▽		20795	(000000-	) Extinguisher Kit 7400	1
▲	1	25312	(000000-	) Extinguisher, Fire	1

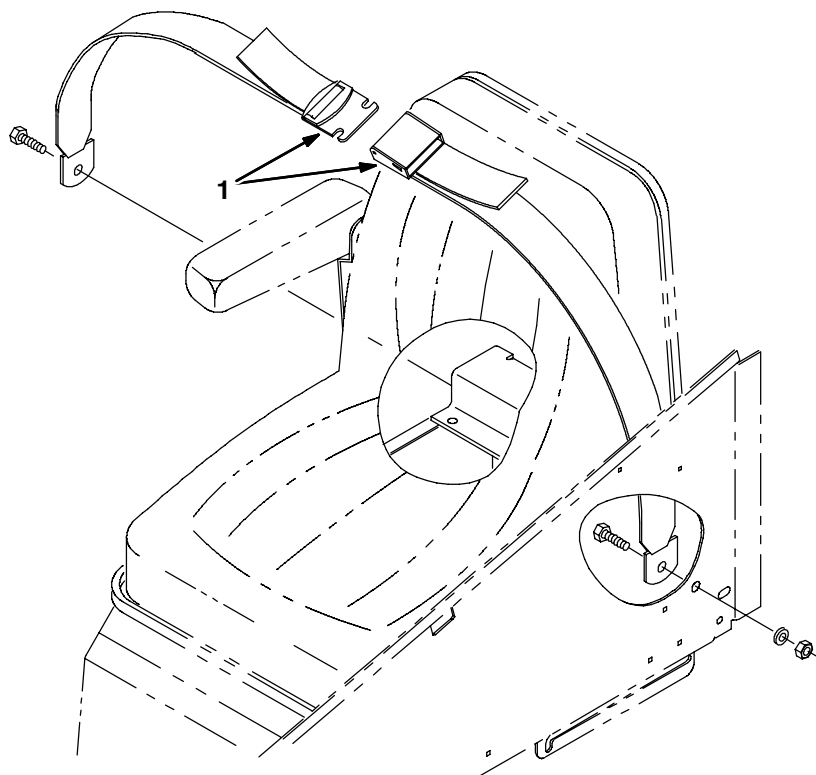
Fig. 20 - Protectoseal Fuel Tank Cap Group (000000-008999)



10835 - ALL

Ref.	Part No.	Serial Number	Description	Qty.
1	02506-6	(000000-008999 )	Cap, Fuel, Protectoseal	1

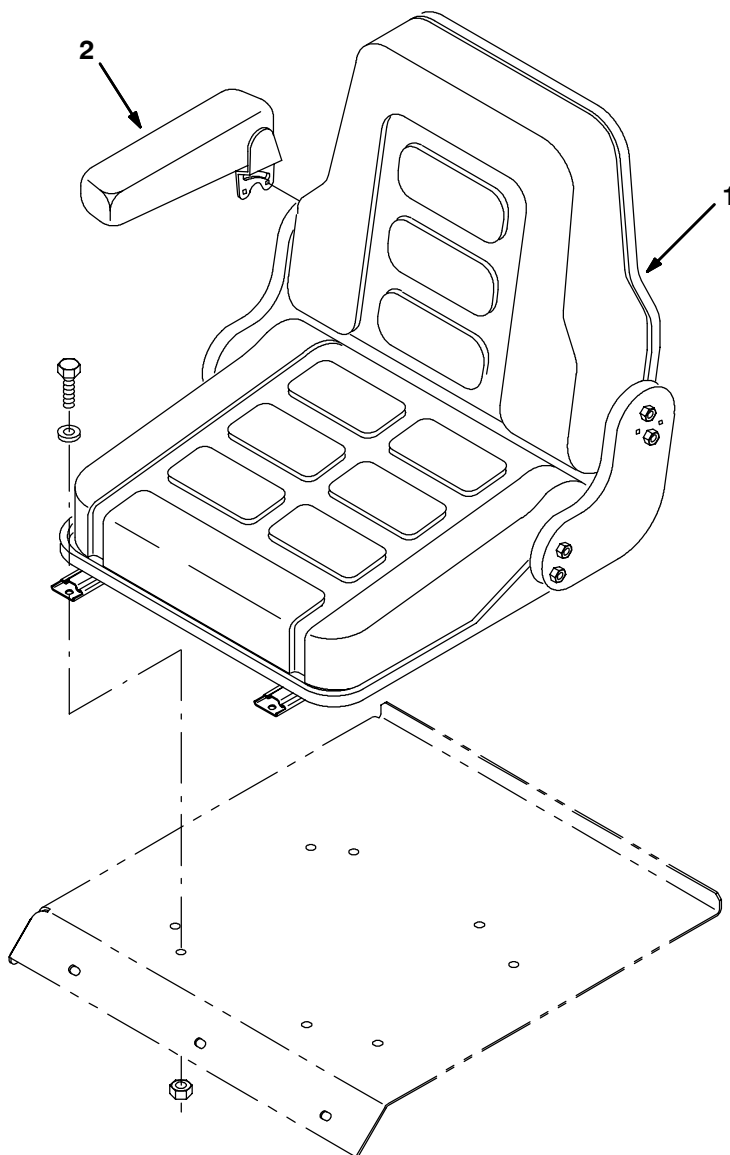
**Fig. 21 - Seat Belt Kit**



10837 - ALL

	<b>Ref.</b>	<b>Part No.</b>	<b>Serial Number</b>	<b>Description</b>	<b>Qty.</b>
▽		20798	(000000-	) Seat Belt Kit 7400	1
▲	1	30533	(000000-	) Belt, Seat	1

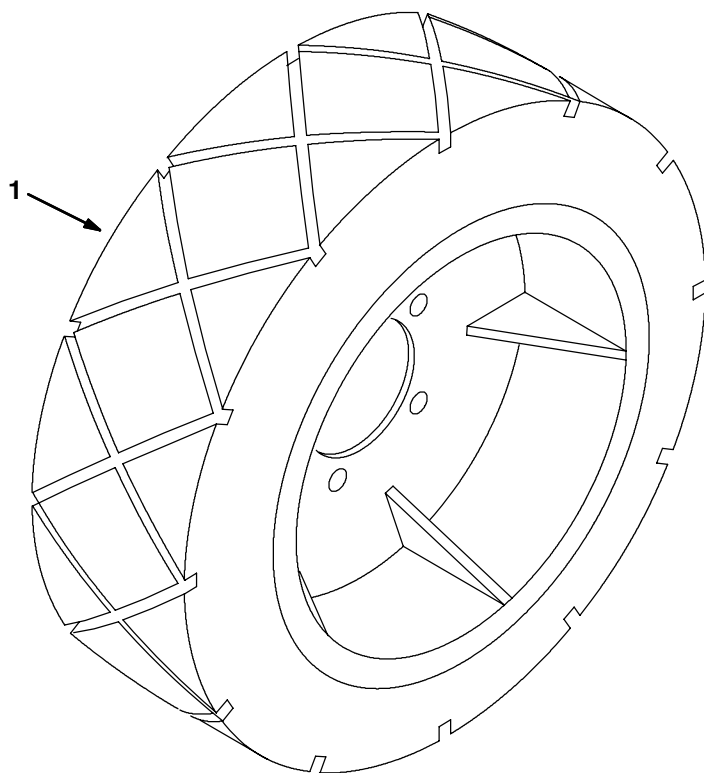
Fig. 22 - Grammer Seat Kit



10839 - NA, JP

Ref.	Part No.	Serial Number	Description	Qty.
▽	20800	(000000-	) Seat Kit, Grammer 7400	1
▲	1 53845	(000000-	) Seat, Grammer	1
▲	2 71477	(000000-	) Armrest Assy,Rh	1

**Fig. 23 - Solid High Traction Tire Group**

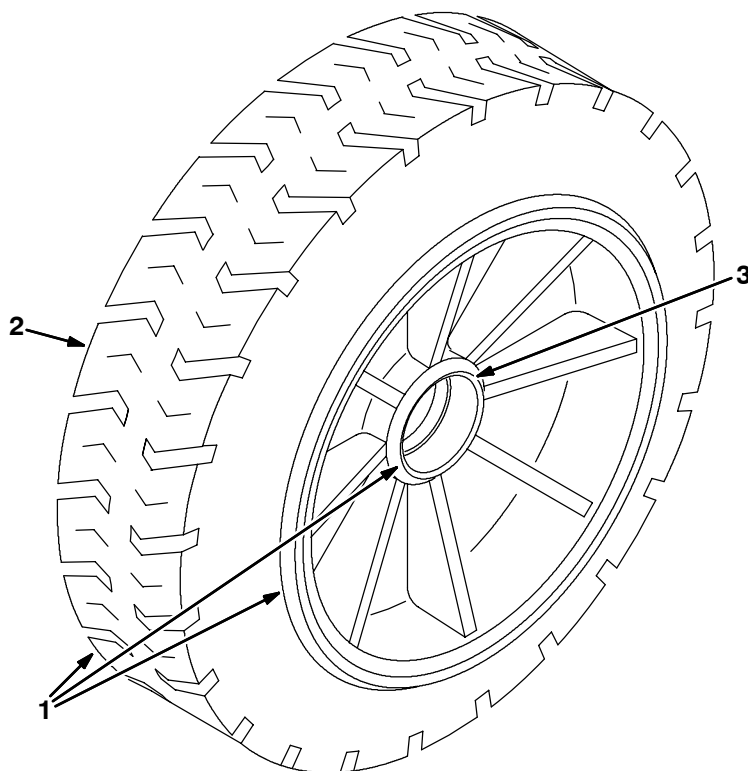


10843 - ALL

<b>Ref.</b>	<b>Part No.</b>	<b>Serial Number</b>	<b>Description</b>	<b>Qty.</b>
1	84597	(000000-	) Tire Assy, Solid, High Traction, 18.0 X 6.0 X 4.5Bc	1



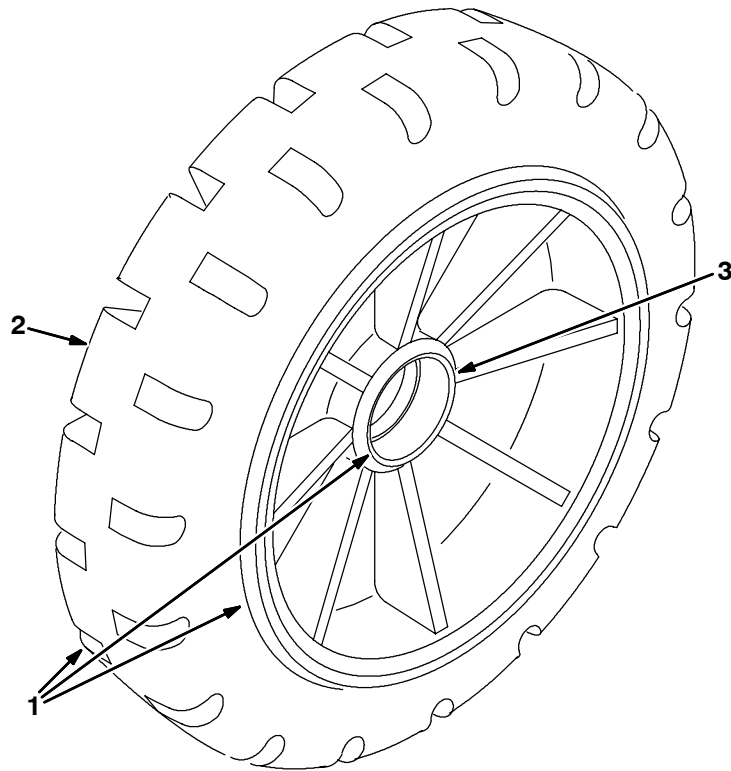
Fig. 24 - Solid Turf Tire and Wheel Assembly



352366 - ALL

	Ref.	Part No.	Serial Number	Description	Qty.
▽	1	374605	(000000-	) Tire & Wheel Assy, Solid Turf 18X7	1
▲	2	374604	(000000-	) Tire, Solid 18X7X12.12 Turf	1
▲	3	51338	(000000-	) Bearing, Cup, 2.56d 0.55w	2

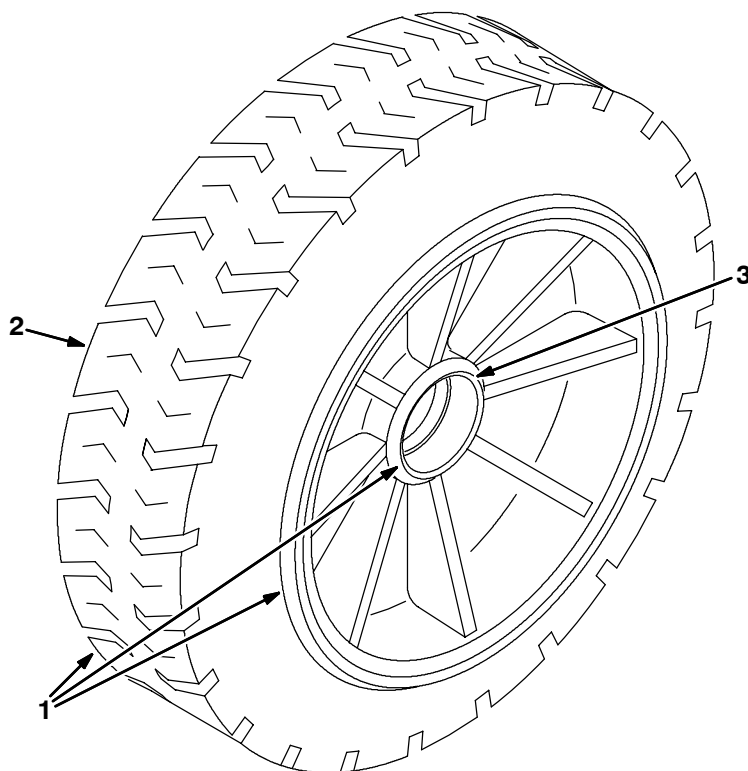
**Fig. 25 - Solid Non Marking Tire and Wheel Assembly**



352368 - ALL

	<b>Ref.</b>	<b>Part No.</b>	<b>Serial Number</b>	<b>Description</b>	<b>Qty.</b>
▽	1	374608	(000000-	) Tire & Wheel Assy, Solid Nonmark	1
▲	2	374607	(000000-	) Tire, Solid 18X5X12.12 Nonmark	1
▲	3	51338	(000000-	) Bearing, Cup, 2.56d 0.55w	2

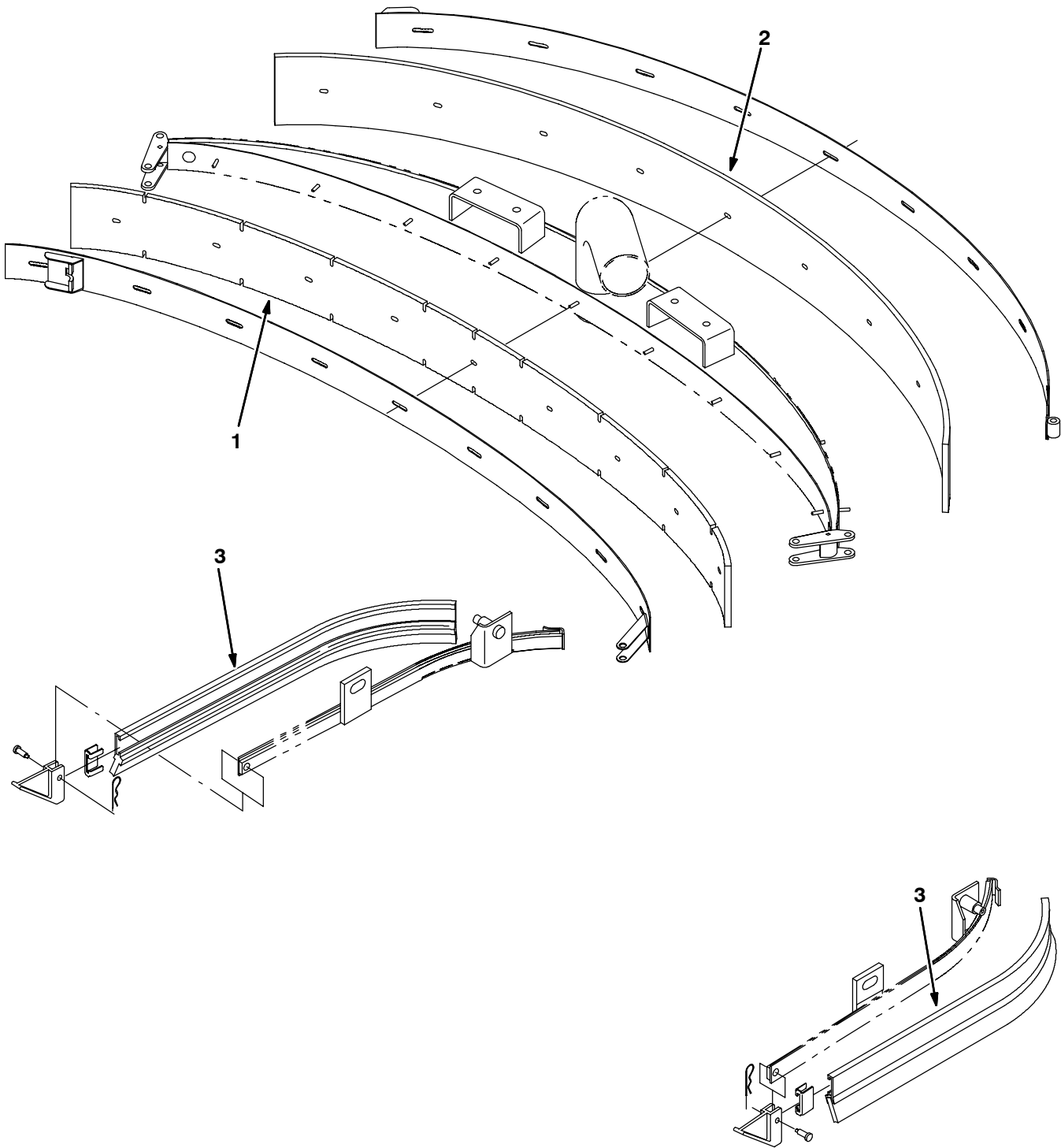
Fig. 26 - Solid Non Marking Turf Tire and Wheel Assembly



352366 - ALL

	Ref.	Part No.	Serial Number	Description	Qty.
▽	1	374689	(000000-	) Tire & Wheel Assy, Solid Non MarkingTurf 18X7	1
▲	2	374688	(000000-	) Tire, Solid 18X7X12.12 Turf, Non Marking	1
▲	3	51338	(000000-	) Bearing, Cup, 2.56d 0.55w	2

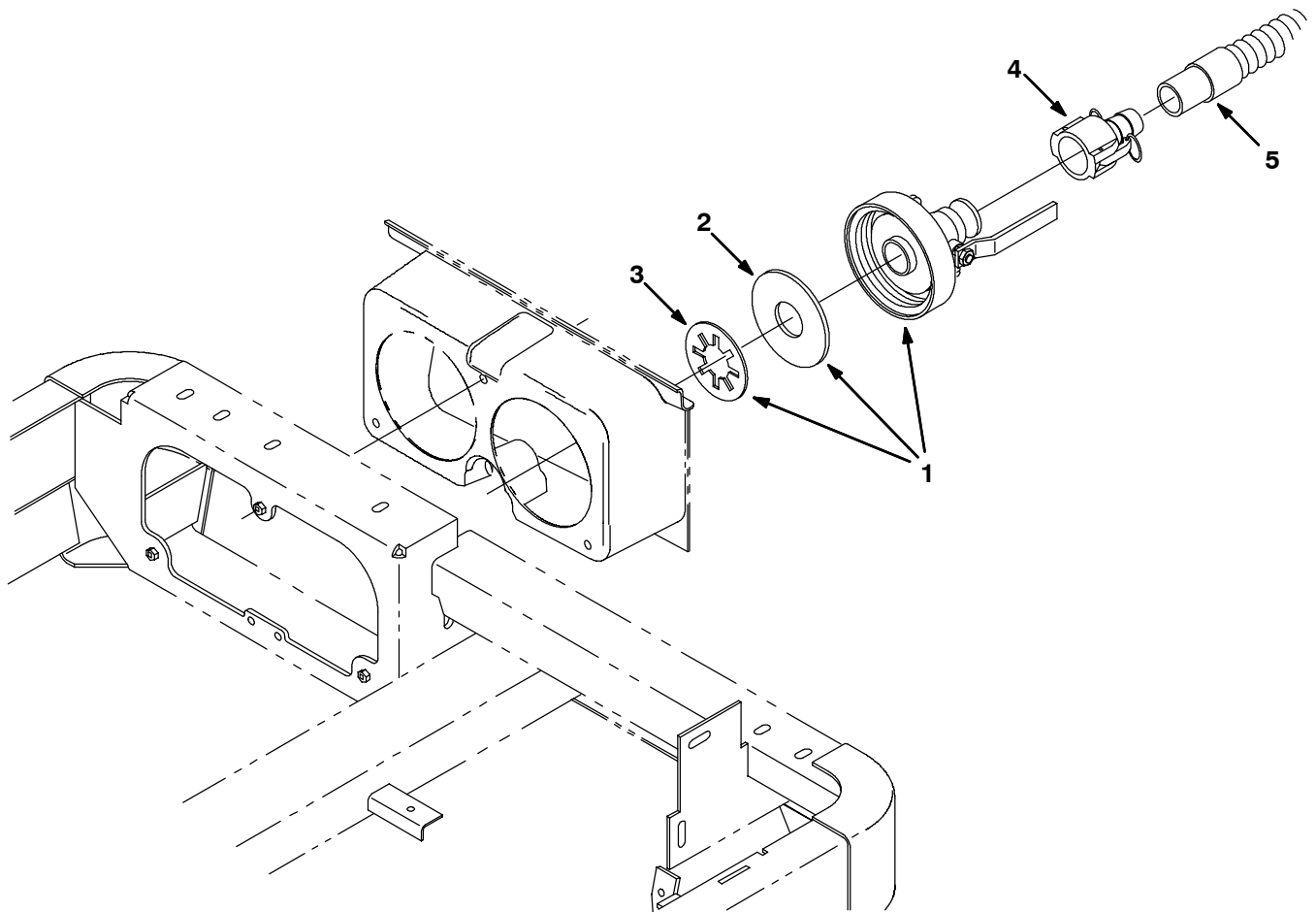
**Fig. 27 - Urethane Squeegee Blade Kit**



10847 - NA, JP

Ref.	Part No.	Serial Number	Description	Qty.
▽	71357	(000000-	) Squeegee Kit, Urethane	1
▲ 1	71353	(000000-	) Blade, Squeegee, Front	1
▲ 2	71354	(000000-	) Blade, Squeegee, Rear, Urethan	1
▲ 3	12472	(000000-	) Squeegee Assy, Side	2

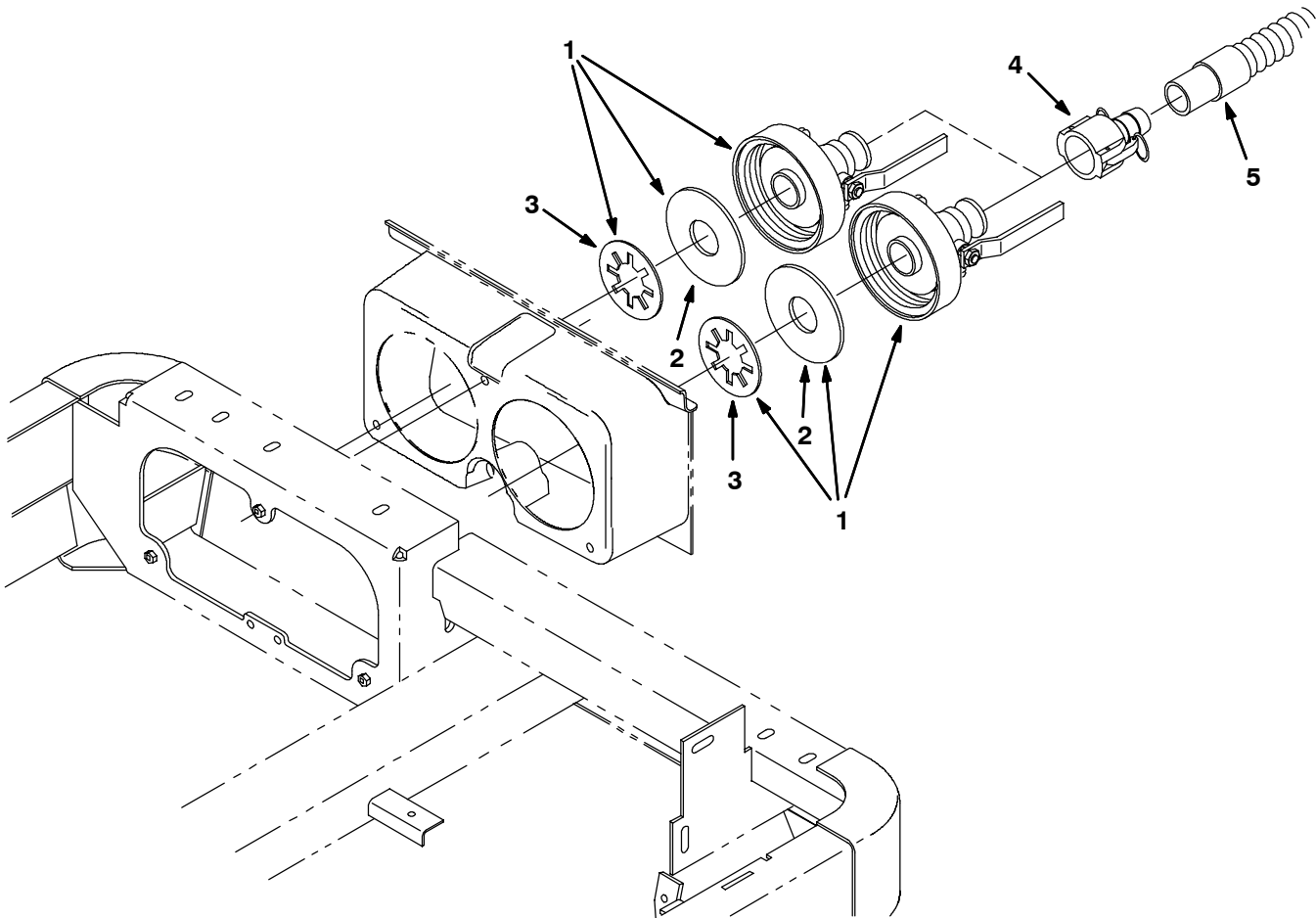
Fig. 28 - Positive Solution Control Drain Kit, Std



10850 - NA, JP

Ref.	Part No.	Serial Number	Description	Qty.
▽	25778	(000000-	) Pos Sol Ctrl Drn Sys Kit Std	1
▲▽	1 25783	(000000-	) Cap Assy, Pos Drain	1
▲▲	23456	(000000-	) Cap, Drain	1
▲▲	375014	(000000-	) Kit, Valve Handle	1
▲▲	374618	(000000-	) Kit, Ball & Seal	1
▲▲	2 1031700	(000000-	) Gasket, .19, 2.00id 5.38od [Buna]	1
▲▲	3 20932	(000000-	) Washer, Polyethylene	1
▲	4 48734	(000000-	) Coupler, Female X Hose Shank	1
▲	5 75635	(000000-	) Hose Assy, W/1cuff, 1.5d 120l 1.5	1

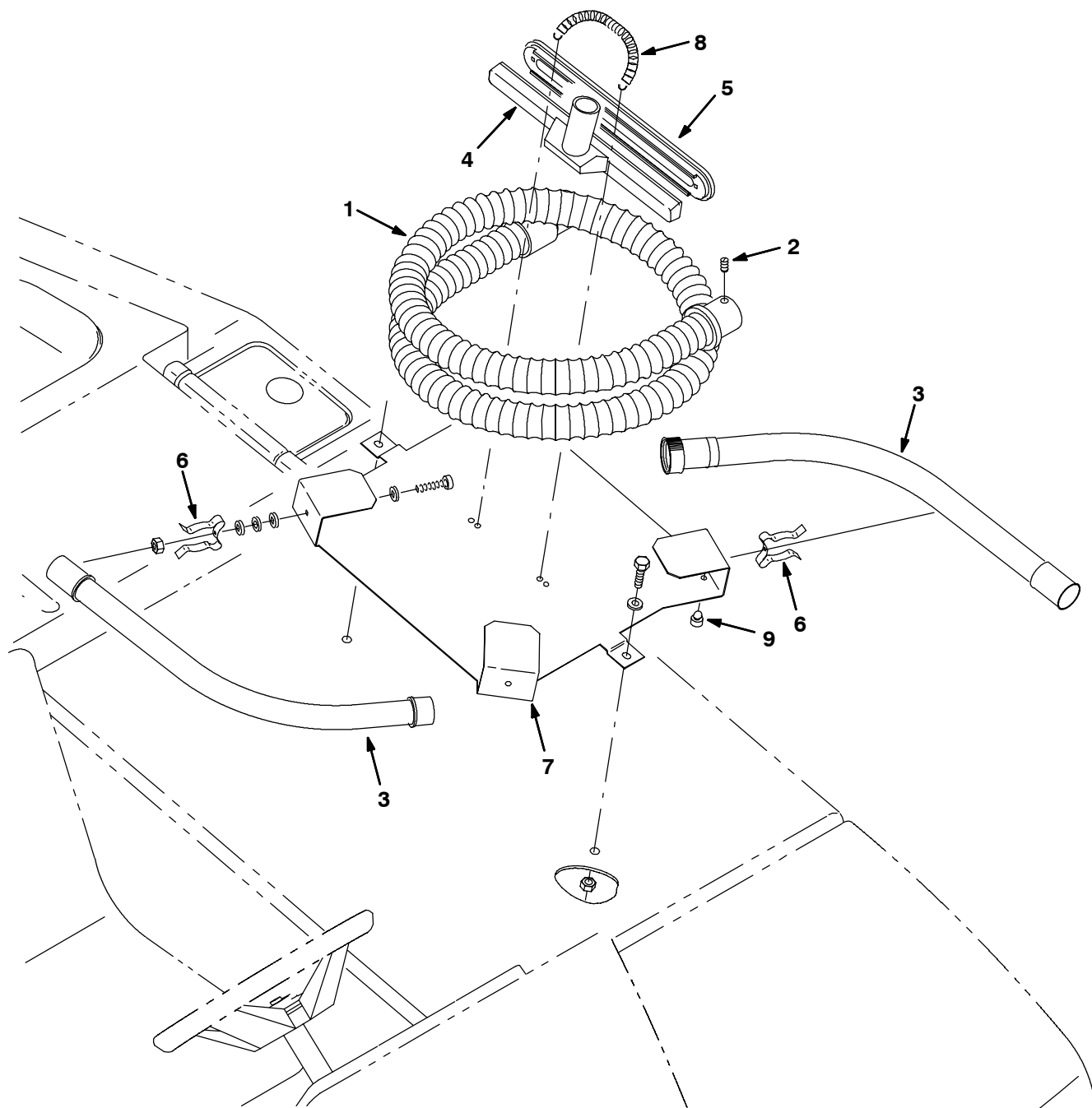
**Fig. 29 - Positive Solution Control Drain Kit, ES**



10867 - ALL

Ref.	Part No.	Serial Number	Description	Qty.
▽	25781	(000000-	) Pos Sol Ctrl Drn Sys Kit, Es	1
▲▽	1 25783	(000000-	) Cap Assy, Pos Drain	2
▲▲	23456	(000000-	) Cap, Drain	1
▲▲	375014	(000000-	) Kit, Valve Handle	1
▲▲	374618	(000000-	) Kit, Ball & Seal	1
▲▲	2 1031700	(000000-	) Gasket, .19, 2.00id 5.38od [Buna]	1
▲▲	3 20932	(000000-	) Washer, Polyethylene	1
▲	4 48734	(000000-	) Coupler, Female X Hose Shank	1
▲	5 75635	(000000-	) Hose Assy, W/1cuff, 1.5d 120l 1.5	1

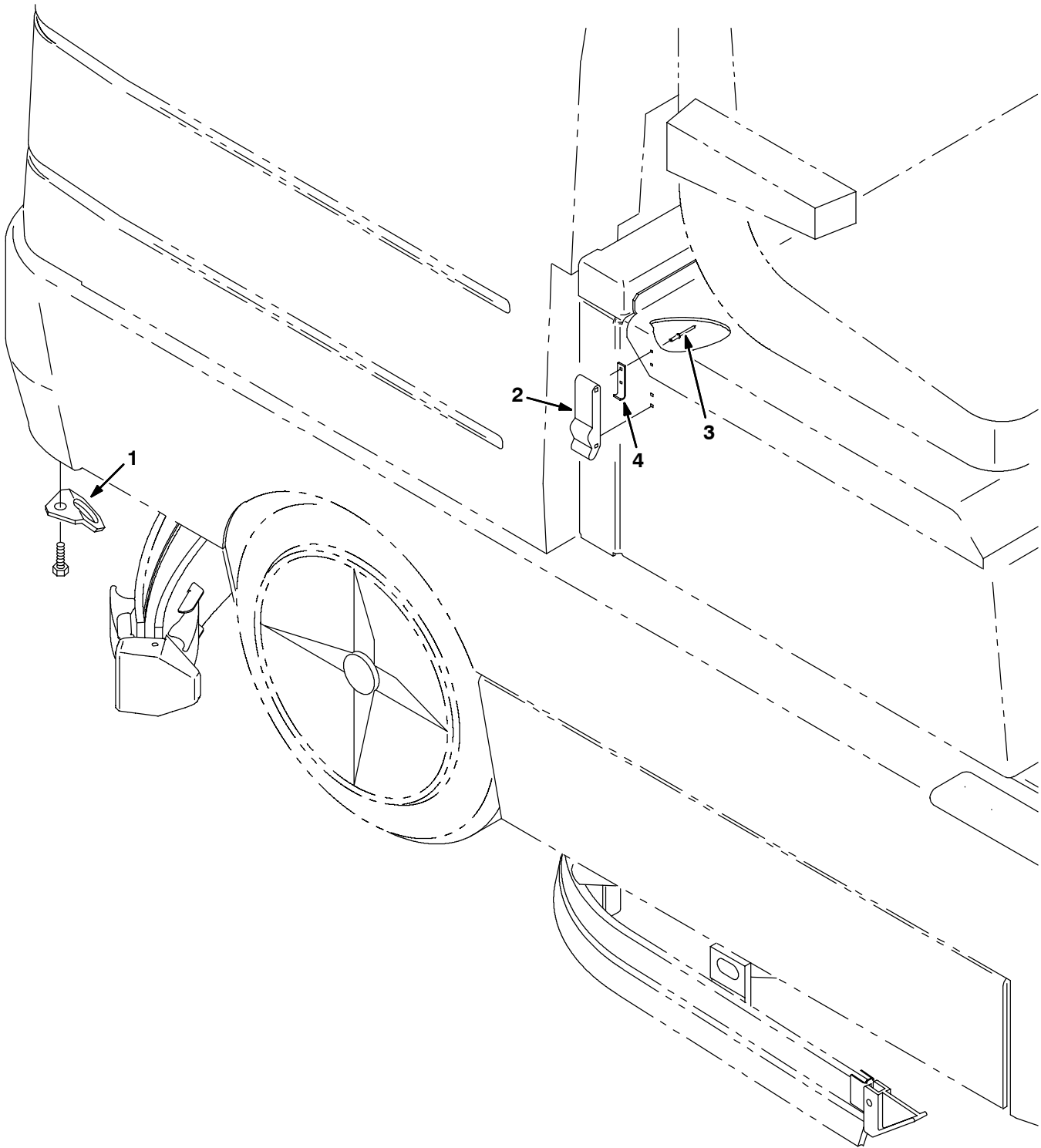
Fig. 30 - Squeegee Wand Kit



10879 - ALL

Ref.	Part No.	Serial Number	Description	Qty.
▽	25775	(000000-	) Squeegee Wand Kit 7400	1
▲	1 69657	(000000-	) Hose Assy, Wand Kit	1
▲	2 69659	(000000-	) Plunger, Spring .38-16	1
▲	3 63448	(000000-	) Wand, Metal - 2PC	1
▲	4 63451	(000000-	) Nozzle, Plastic Wand 14.0 Lg	1
▲	5 63430	(000000-	) Shoe, Plastic-Squeegee 14 In	1
▲	6 67004	(000000-	) Clip-Finger Grip	4
▲	7 77322	(000000-	) Panel, MTG, Hose	1
▲	8 50304	(000000-	) Spring, EXT	1
▲	9 51787	(000000-	) Bumper, Rubber	4

**Fig. 31 - Transport Group**

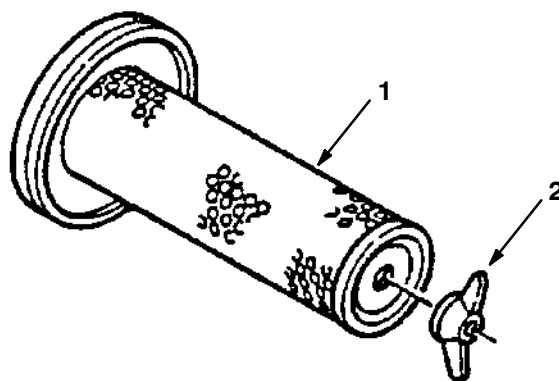


10914 - NA, JP

Ref.	Part No.	Serial Number	Description	Qty.
1	14983	(000000-	) Bracket Tie Down	4
2	49800	(000000-	) Latch, Elastic	1
3	01335	(000000-	) Rivet, Pop-.125Dx.44X.25Dhd Al	4
4	78882	(000000-	) Bracket, Tiedown, Seat	1



Fig. 32 - Heavy Duty Engine Air Filter Kit



04712 - D

Ref.	Part No.	Machine Serial Number	Description	Qty.
▽	57876	(000000-	) Kit, Air Filter, Heavy Duty	1
▲ 1	58121	(000000-	) Element, Safety	1
▲ 2	07562	(000000-	) Wingnut	1

**Fig. 33 - Documentation Group**

07501 - D, NA

<b>Ref.</b>	<b>Part No.</b>	<b>Serial Number</b>	<b>Description</b>	<b>Qty.</b>	
1	MM426	(000000-	) Manual Pkg 7400D	1	
2	MM426JP	(000000-	) Manual Pkg 7400D, Japanese	1	
▽	3	MM428	(000000-	) Manual, Service	1
▲	4	84660	(000000-	) Manual, Eng, Kubo [V1505E]	1
5	25773	(000000-	) Tape, Video, Operator 7400	1	
6	MM426ES	(000000-	) Manual, OP/MT 7400, Spanish	1	
6	MM426FR	(000000-	) Manual, OP/MT 7400, French	1	
7	330710	(000000-	) Manual, Cd-Rom, Oprtr & Parts, All (NA)	1	

## SECTION 4

Contents	Page
Fig. 1 - Hydraulic Pump Breakdown, 71720 .....	4-2
Fig. 2 - Hydraulic Pump Breakdown, 71716 .....	4-4
Fig. 3 - Hydraulic Motor Breakdown, 71724 .....	4-6
Fig. 4 - Hydraulic Motor Breakdown, 22604 .....	4-8
Fig. 5 - Hydraulic Motor Breakdown, 71722 .....	4-10
Fig. 6 - Hydraulic Motor Breakdown, 369816 .....	4-11
Fig. 7 - Hydraulic Motor Breakdown, 397692 .....	4-12
Fig. 8 - Hydraulic Motor Breakdown, 71729 .....	4-13
Fig. 9 - Hydraulic Steering Valve Breakdown, 71713 .....	4-14
Fig. 10 - Hydraulic Motor Breakdown, 73112 .....	4-16
Fig. 11 - Hydraulic Motor Breakdown, 71719 .....	4-17
Fig. 12 - Hydraulic Solenoid Valve Breakdown, 71705 .....	4-18
Fig. 13 - Hydraulic Solenoid Valve Breakdown, Side Brush 71760 .....	4-20
Fig. 14 - Hydraulic Solenoid Valve Breakdown, Nylon Brush, 71761 .....	4-22
Fig. 15 - Hydraulic Solenoid Valve Breakdown, Side Brush and Nylon Brush, 71762 .....	4-24
Fig. 16 - Hydraulic Solenoid Valve Breakdown, 71708 .....	4-26
Fig. 17 - Extended Scrub Pump Breakdown, 20914 .....	4-28
Fig. 18 - Extended Scrub Pump Breakdown, 379005 .....	4-30
Fig. 19 - Extended Scrub Pump Breakdown, 20891 .....	4-32
Fig. 20 - Extended Scrub Pump Breakdown, 1021210 .....	4-34
Fig. 21 - Hydraulic Flow Sensor Switch Breakdown, 73430 .....	4-36
Fig. 22 - Metering Solution Pump Breakdown, 73260 .....	4-37
Fig. 23 - Hydraulic Pump Breakdown, 373453 .....	4-38

Fig. 1 - Hydraulic Pump Breakdown, 71720

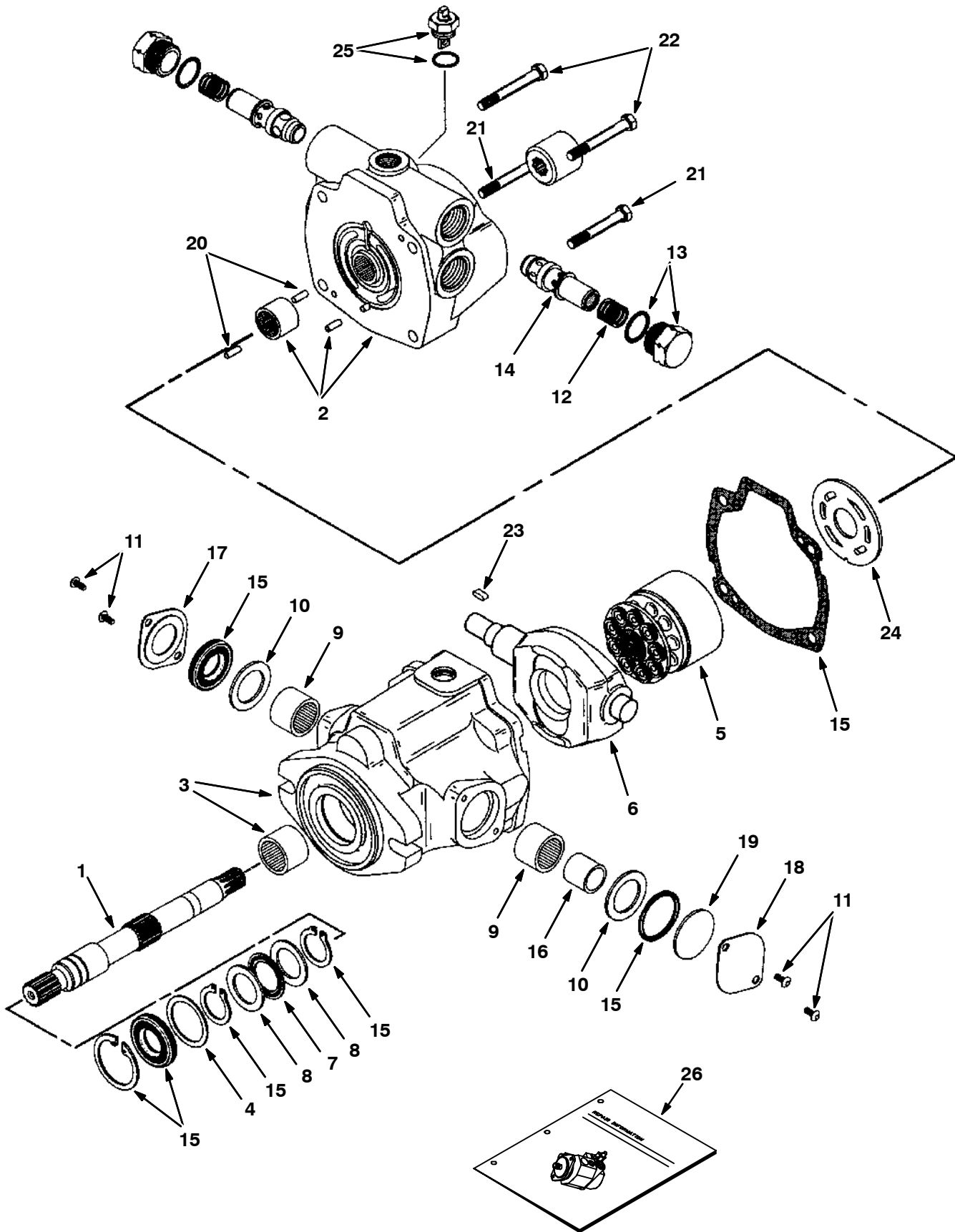


Fig. 1 - Hydraulic Pump Breakdown, 71720

	Ref.	Part No.	Serial Number	Description	Qty.
▽		71720	(000000-	) Pump, Hyd Piston V 1.24 R 4000	1
▲	1	21925	(000000-	) Shaft, Drive	1
▲	2	21926	(000000-	) Backplate Assy	1
▲	3	21927	(000000-	) Pump Housing Assy	1
▲	4	70096	(000000-	) Washer	1
▲	5	02706	(000000-	) Rotating Kit	1
▲	6	57897	(000000-	) Camplate	1
▲	7	74225	(000000-	) Bearing, Thrust	1
▲	8	74226	(000000-	) Race, Bearing	2
▲	9	02709	(000000-	) Bearing Cam	2
▲	10	70097	(000000-	) Washer	2
▲	11	61891	(000000-	) Screws	4
▲	12	74229	(000000-	) Spring	2
▲	13	74230	(000000-	) Plug S-A	2
▲	14	55941	(000000-	) Relief Valve	2
▲	15	70103	(000000-	) Seal Kit, Pump	1
▲	16	02705	(000000-	) Race, Inner Bearing	1
▲	17	52386	(000000-	) Cover	1
▲	18	70098	(000000-	) Cover, Trunion	1
▲	19	70099	(000000-	) Cover, O-Ring	1
▲	20	70100	(000000-	) Pin, Dowel	2
▲	21	21928	(000000-	) Screw, Cap	2
▲	22	21929	(000000-	) Screw, Cap	2
▲	23	74237	(000000-	) Key	1
▲	24	74180	(000000-	) Plate, Valve	1
▲	25	74469	(000000-	) Valve, Dump	1
▲	26	74248	(000000-	) Repair Info, Pump	1

Fig. 2 - Hydraulic Pump Breakdown, 71716

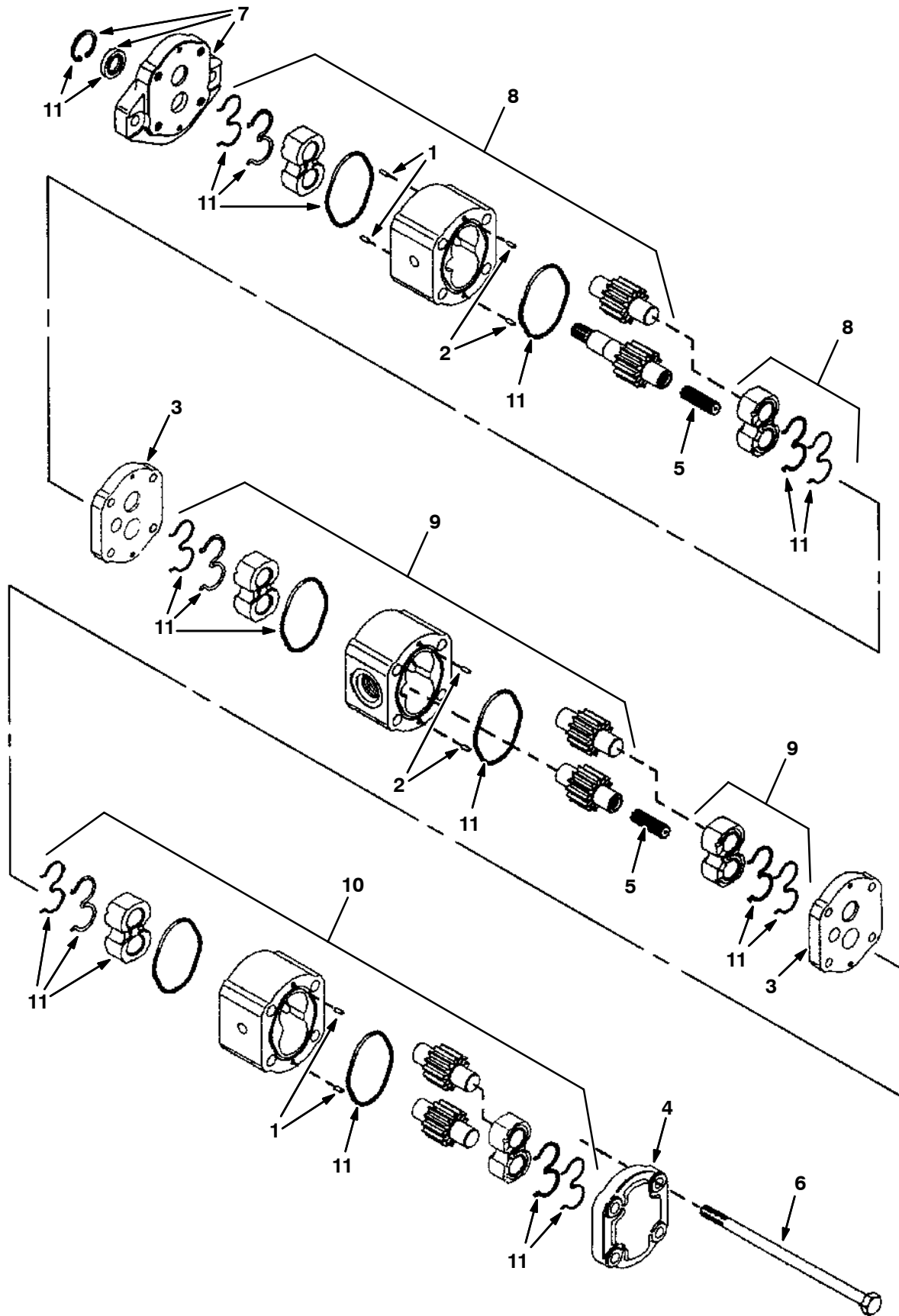


Fig. 2 - Hydraulic Pump Breakdown, 71716

	Ref.	Part No.	Serial Number	Description	Qty.
▽		71716	(000000-	) Pump, Hyd	1
▲	1	21936	(000000-	) Dowel Pin	4
▲	2	21937	(000000-	) Dowel Pin	4
▲	3	21938	(000000-	) Distance Plate	2
▲	4	21939	(000000-	) End Cover	1
▲	5	21940	(000000-	) Spline Coupling	2
▲	6	21941	(000000-	) Bolt	4
▲	7	21942	(000000-	) Flange Kit	1
▲	8	21943	(000000-	) Pump Kit, Sec#1	1
▲	9	21944	(000000-	) Pump Kit, Sec#2	1
▲	10	21945	(000000-	) Pump Kit, Sec#3	1
▲	11	21946	(000000-	) Seal Kit, Pump	1

**Fig. 3 - Hydraulic Motor Breakdown, 71724**

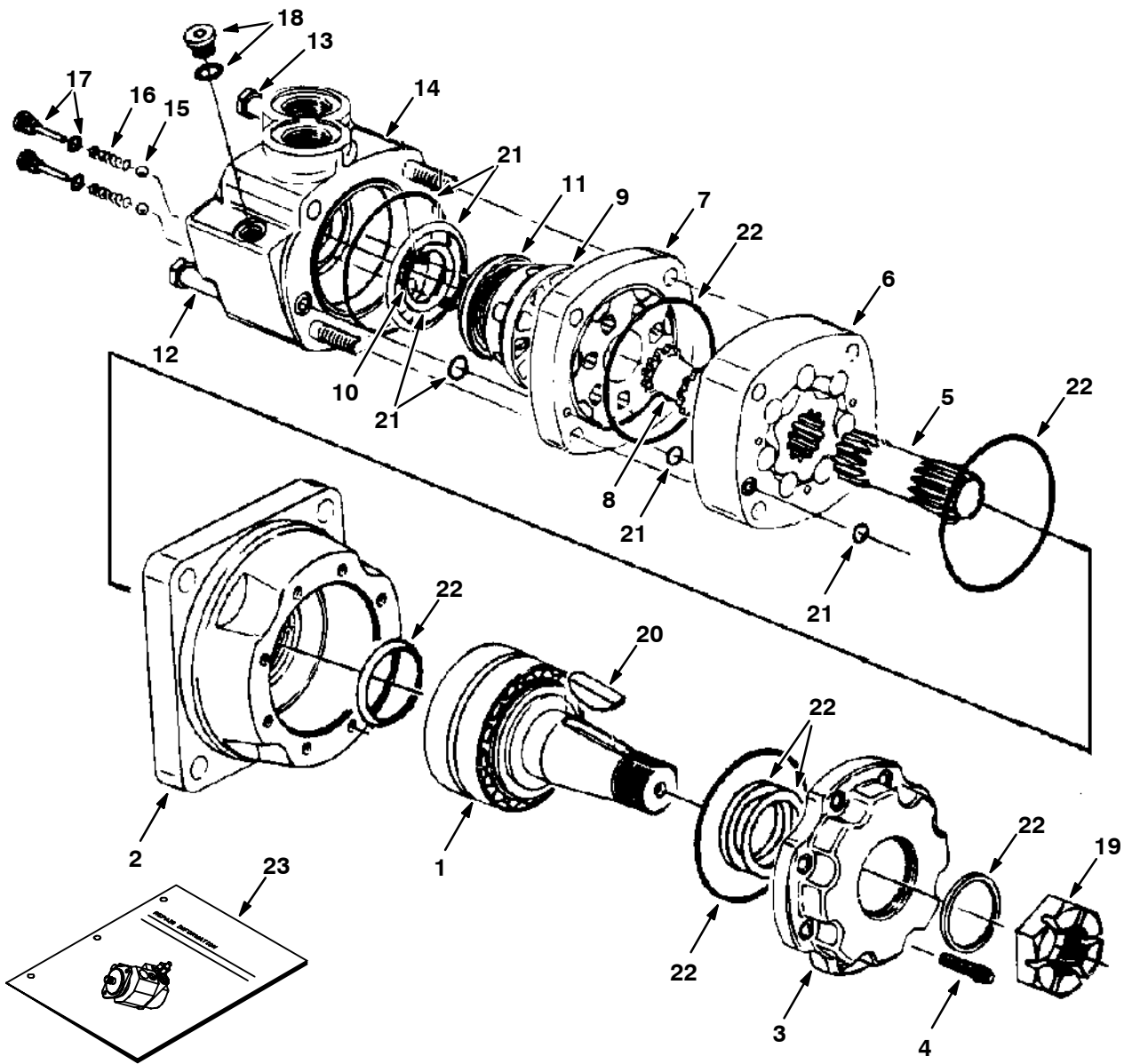




Fig. 3 - Hydraulic Motor Breakdown, 71724

	Ref.	Part No.	Serial Number	Description	Qty.
▽		71724	(000000-	) Motor, Hyd Gear	1
▲	1	79826	(000000-	) Shaft S-A	1
▲	2	74166	(000000-	) Housing, Brg	1
▲	3	79827	(000000-	) Retainer, Frt	1
▲	4	74168	(000000-	) Screw, Cap	8
▲	5	37616	(000000-	) Drive	1
▲	6	37756	(000000-	) Geroler	1
▲	7	74122	(000000-	) Plate, Valve	1
▲	8	52405	(000000-	) Valve	1
▲	9	74123	(000000-	) Valve	1
▲	10	34178	(000000-	) Spring	2
▲	11	38968	(000000-	) Ring	1
▲	12	74125	(000000-	) Bolt	3
▲	13	38255	(000000-	) Bolt	1
▲	14	74171	(000000-	) Housing Assy,	1
▲	15	37766	(000000-	) Ball	2
▲	16	34179	(000000-	) Spring	2
▲	17	74137	(000000-	) Plug Assembly	2
▲	18	74098	(000000-	) Plug #4	1
▲	19	45622	(000000-	) Nut	1
▲	20	45623	(000000-	) Key	1
▲	21	33580	(000000-	) Seal Kit, Rear	1
▲	22	79828	(000000-	) Seal Kit, Shaft	1
▲	23	74249	(000000-	) Instr. Repair Info, Motor	1

**Fig. 4 - Hydraulic Motor Breakdown, 22604**

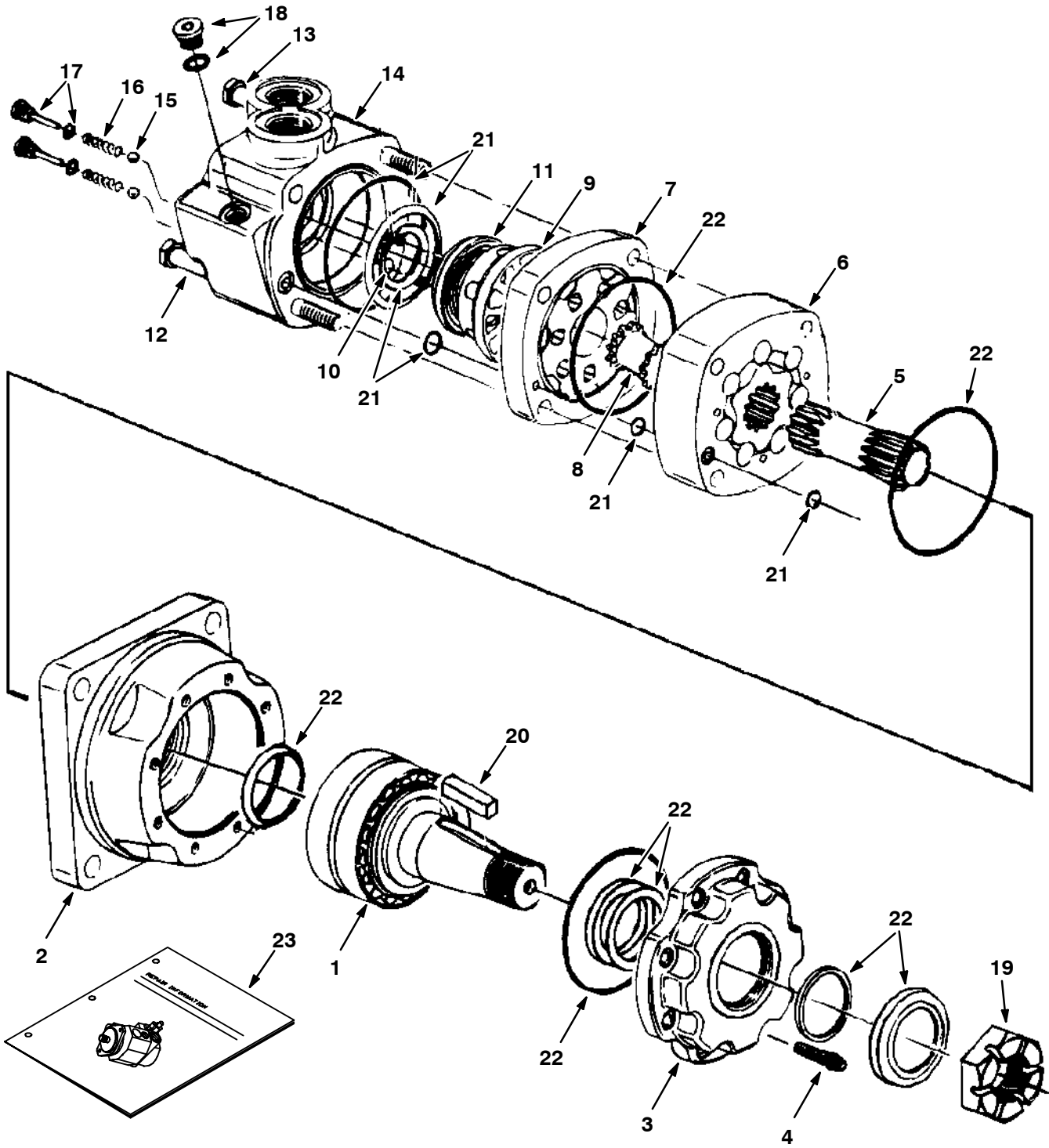
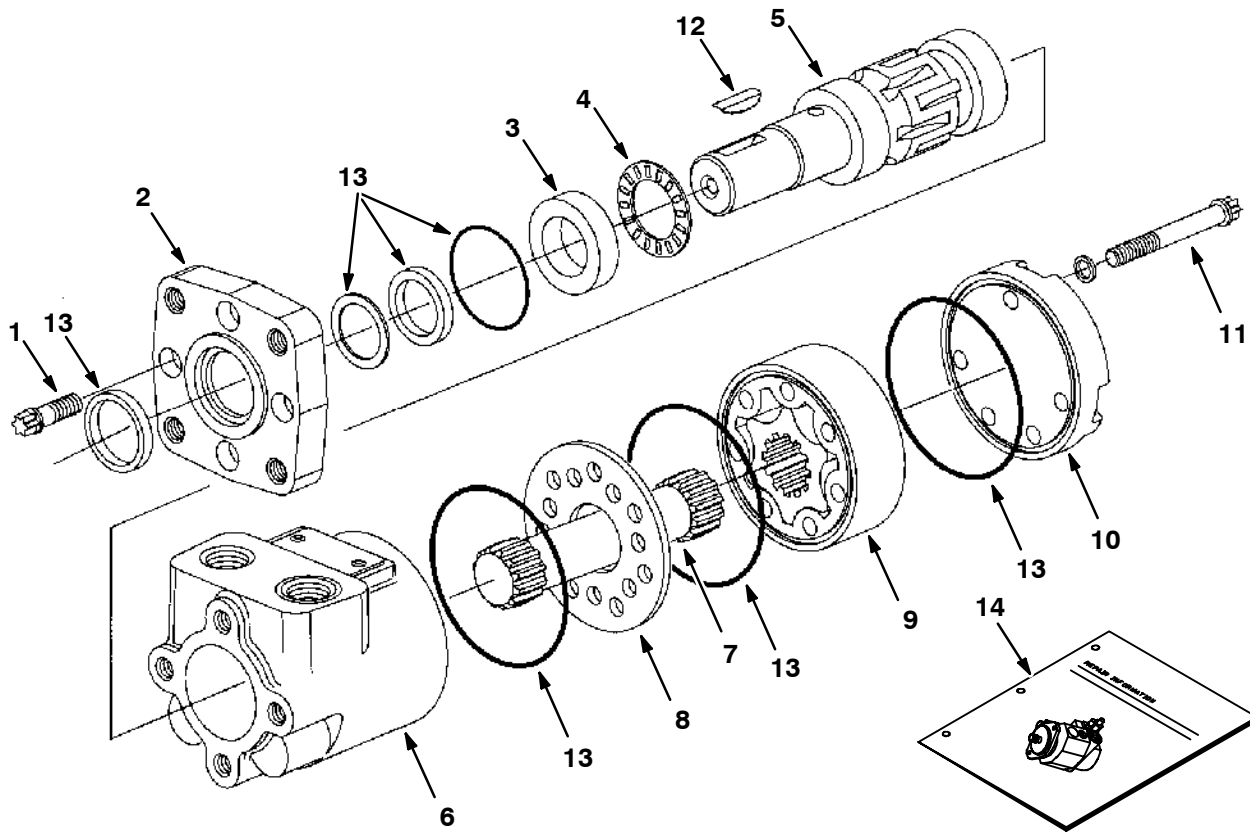


Fig. 4 - Hydraulic Motor Breakdown, 22604

Ref.	Part No.	Serial Number	Description	Qty.
▽	22604	(000000-	) Motor, Hyd Gear	1
▲	1 74165	(000000-	) Shaft S-A	1
▲	2 74166	(000000-	) Housing, Brg	1
▲	3 74167	(000000-	) Retainer, Frt	1
▲	4 74168	(000000-	) Screw, Cap	8
▲	5 37616	(000000-	) Drive	1
▲	6 37756	(000000-	) Geroler	1
▲	7 74122	(000000-	) Plate, Valve	1
▲	8 52405	(000000-	) Valve	1
▲	9 74123	(000000-	) Valve	1
▲	10 34178	(000000-	) Spring	2
▲	11 38968	(000000-	) Ring	1
▲	12 74125	(000000-	) Bolt	3
▲	13 38255	(000000-	) Bolt	1
▲	14 74171	(000000-	) Housing Assy,	1
▲	15 37766	(000000-	) Ball	2
▲	16 34179	(000000-	) Spring	2
▲	17 74137	(000000-	) Plug Assembly	2
▲	18 74098	(000000-	) Plug #4	1
▲	19 45622	(000000-	) Nut	1
▲	20 45623	(000000-	) Key	1
▲	21 33580	(000000-	) Seal Kit, Rear	1
▲	22 79828	(000000-	) Seal Kit, Shaft	1
▲	23 74249	(000000-	) Instr. Repair Info, Motor	1

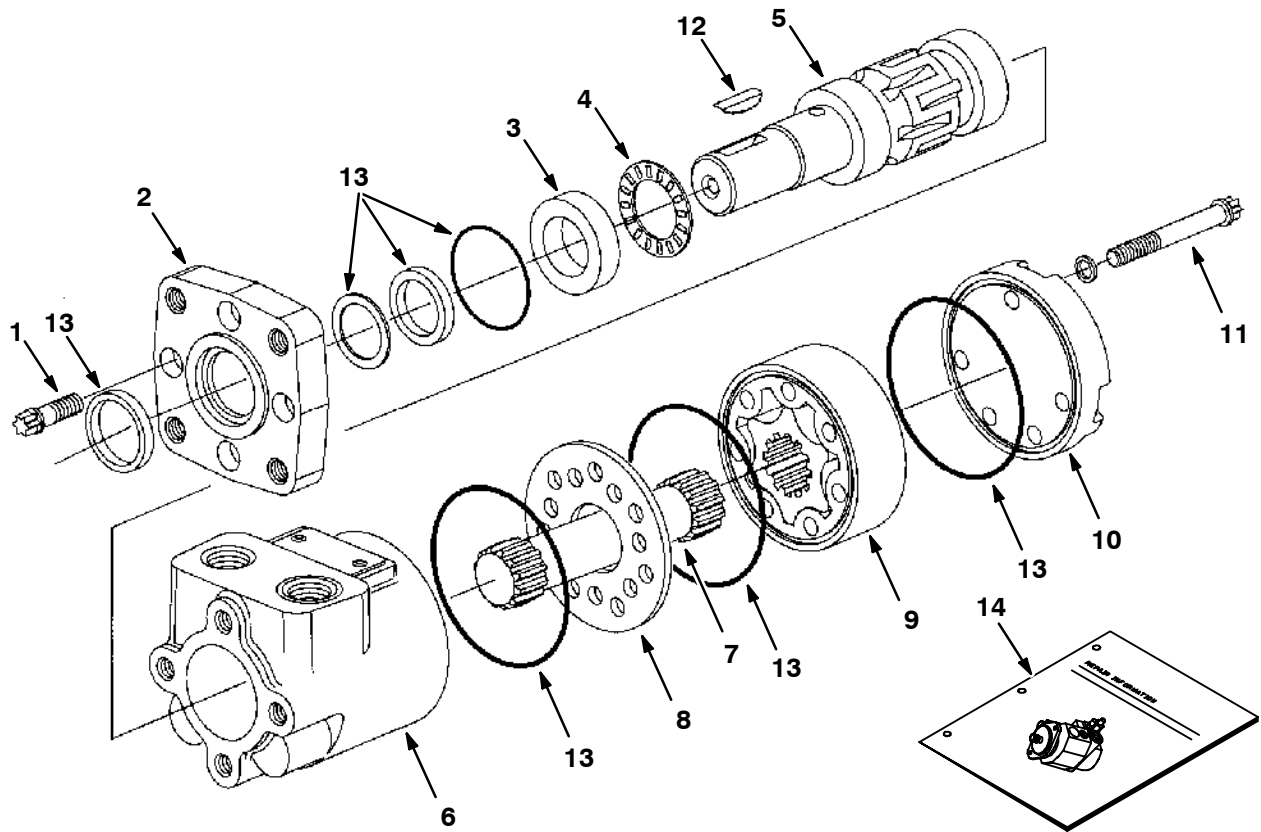
**Fig. 5 - Hydraulic Motor Breakdown, 71722**



10859-09670 - ALL

Ref.	Part No.	Serial Number	Description	Qty.	
▽	71722	(000000-	) Motor, Hyd Gear In 04.5 R 1500	1	
▲	1	37555	(000000-	) Screw	4
▲	2	31354	(000000-	) Flange Mounting	1
▲	3	16695	(000000-	) Race Thrust	1
▲	4	45628	(000000-	) Thrust Bearing	1
▲	5	21924	(000000-	) Shaft, Output	1
▲	6	74100	(000000-	) Housing	1
▲	7	74175	(000000-	) Drive	1
▲	8	74094	(000000-	) Spacer Plate	1
▲	9	74177	(000000-	) Gerotor Assy	1
▲	10	65230	(000000-	) Cap, End	1
▲	11	74178	(000000-	) Screw Cap	5
▲	12	00500-15	(000000-	) Key-Wdruff 0.25 1.00	1
▲	13	61490	(000000-	) Seal Replmt Kit	1
▲	14	74250	(000000-	) Instr. Repair Info, Motor	1

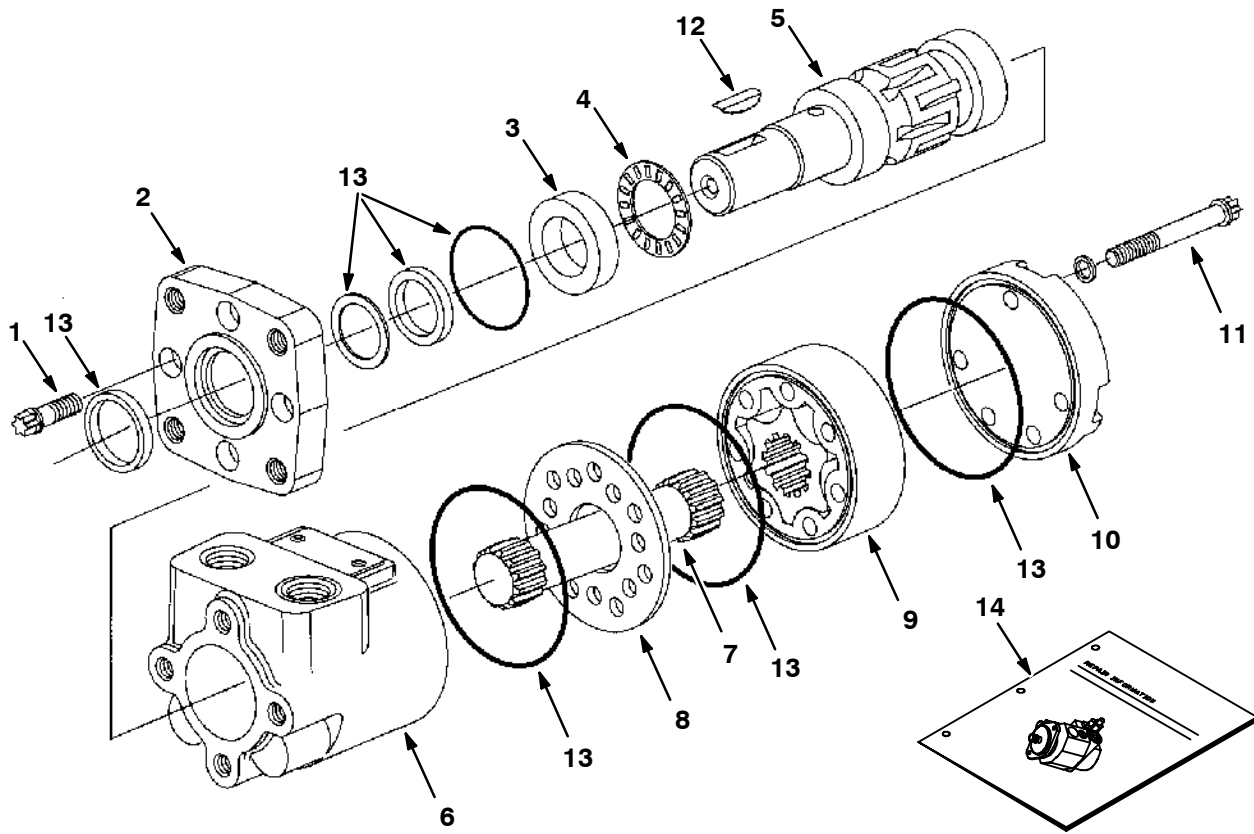
Fig. 6 - Hydraulic Motor Breakdown, 369816



10859-09670 - ALL

Ref.	Part No.	Serial Number	Description	Qty.
▽	369816	(000000-	) Motor, Hyd Gear In 04.5 R 1500	1
▲	1	37555	(000000-) Screw	4
▲	2	31354	(000000-) Flange Mounting	1
▲	3	16695	(000000-) Race Thrust	1
▲	4	45628	(000000-) Thrust Bearing	1
▲	5	21924	(000000-) Shaft, Output	1
▲	6	74100	(000000-) Housing	1
▲	7	74175	(000000-) Drive	1
▲	8	74094	(000000-) Spacer Plate	1
▲	9	74177	(000000-) Gerotor Assy	1
▲	10	65230	(000000-) Cap, End	1
▲	11	74178	(000000-) Screw Cap	5
▲	12	00500-15	(000000-) Key-Wdruff 0.25 1.00	1
▲	13	22654	(000000-) Seal Replmt Kit	1
▲	14	74250	(000000-) Instr. Repair Info, Motor	1

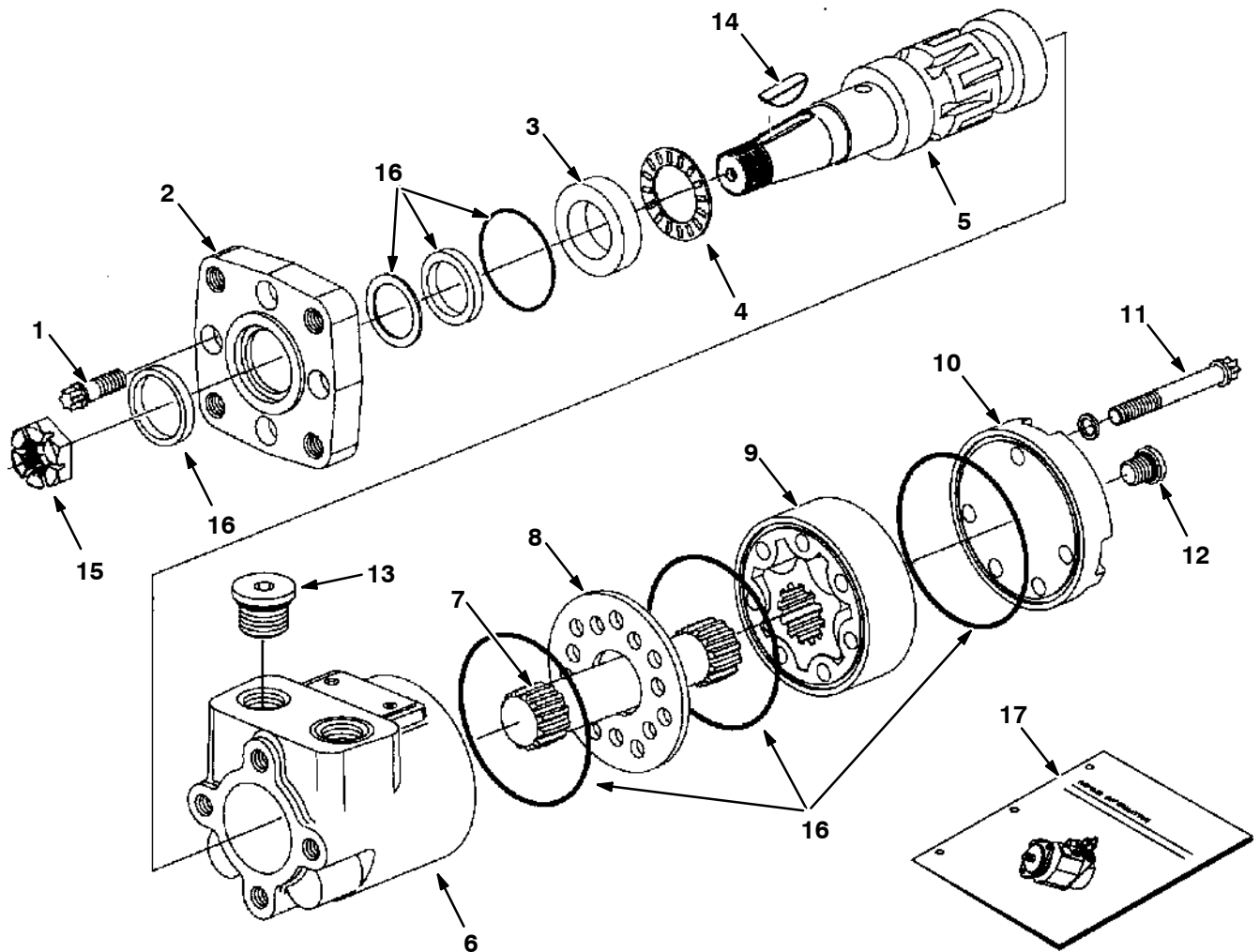
**Fig. 7 - Hydraulic Motor Breakdown, 397692**



10859-09670 - ALL

Ref.	Part No.	Serial Number	Description	Qty.	
▽	397692	(000000-	) Motor, Hyd Gear In 04.5 R 1500	1	
▲	1	37555	(000000-	) Screw	4
▲	2	31354	(000000-	) Flange Mounting	1
▲	3	16695	(000000-	) Race Thrust	1
▲	4	45628	(000000-	) Thrust Bearing	1
▲	5	28854	(000000-	) Shaft, Output	1
▲	6	74100	(000000-	) Housing	1
▲	7	74175	(000000-	) Drive	1
▲	8	74094	(000000-	) Spacer Plate	1
▲	9	74177	(000000-	) Gerotor Assy	1
▲	10	65230	(000000-	) Cap, End	1
▲	11	74178	(000000-	) Screw Cap	5
▲	12	00500-15	(000000-	) Key-Wdruff 0.25 1.00	1
▲	13	22654	(000000-	) Seal Replmt Kit	1
▲	14	74250	(000000-	) Instr. Repair Info, Motor	1

**Fig. 8 - Hydraulic Motor Breakdown, 71729**



09606-09670 - ALL

Ref.	Part No.	Serial Number	Description	Qty.	
▽	71729	(000000-	) Motor, Hyd Gear In 4.5 B 1500	1	
▲	1	37555	(000000-	) Screw	4
▲	2	31354	(000000-	) Flange Mounting	1
▲	3	16695	(000000-	) Race Thrust	1
▲	4	45628	(000000-	) Thrust Bearing	1
▲	5	31375	(000000-	) Shaft, Output	1
▲	6	74100	(000000-	) Housingl	1
▲	7	31379	(000000-	) Drive	1
▲	8	74094	(000000-	) Spacer Plate	1
▲	9	31383	(000000-	) Gerotor Set	1
▲	10	74095	(000000-	) End Cap	1
▲	11	65241	(000000-	) Cap Screw	5
▲	12	74098	(000000-	) Plug #4	1
▲	13	74099	(000000-	) Plug #10	2
▲	14	00500-15	(000000-	) Key-Wdruff 0.25 1.00	1
▲	15	39527	(000000-	) Nut-Hxslot .75-16 Pltd	1
▲	16	61490	(000000-	) Seal Replmt Kit	1
▲	17	74250	(000000-	) Instr. Repair Info, Motor	1

**Fig. 9 - Hydraulic Steering Valve Breakdown, 71713**

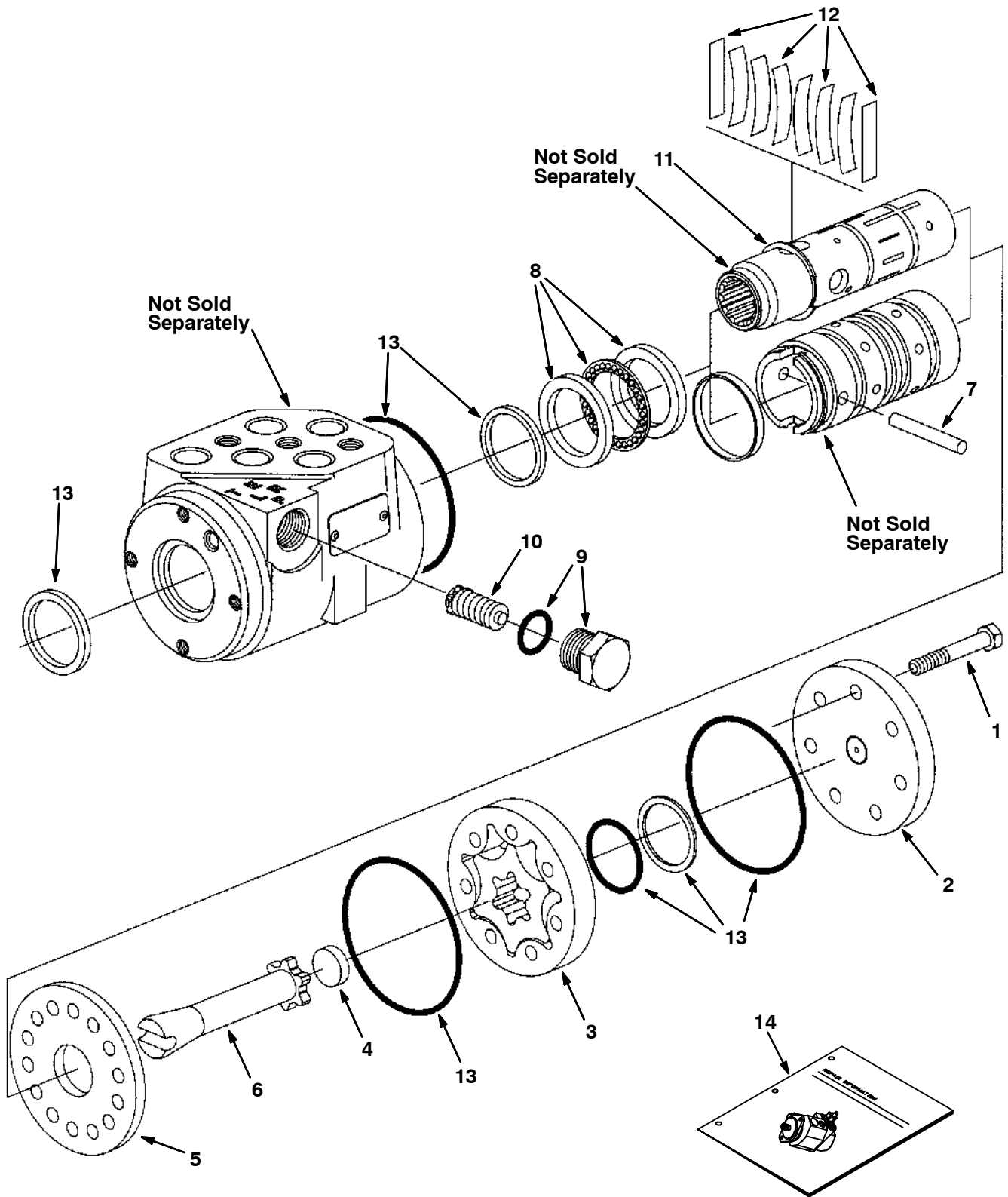
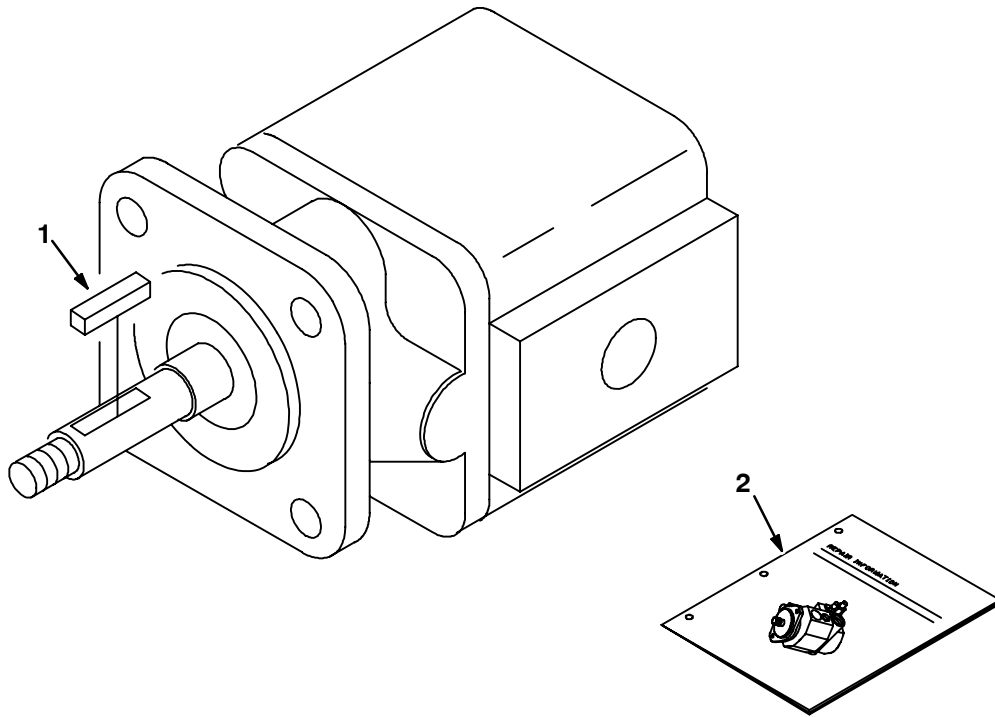




Fig. 9 - Hydraulic Steering Valve Breakdown, 71713

	Ref.	Part No.	Serial Number	Description	Qty.
▽		71713	(000000-	) Steer Control, Hyd#2 06.1 1160	1
▲	1	74183	(000000-	) Screw, Cap	7
▲	2	74185	(000000-	) Cap, End	1
▲	3	74192	(000000-	) Gerotor	1
▲	4	74193	(000000-	) Spacer	1
▲	5	74222	(000000-	) Plate, Wear	1
▲	6	74231	(000000-	) Drive	1
▲	7	74232	(000000-	) Pin	1
▲	8	21935	(000000-	) Bearing Kit	1
▲	9	21933	(000000-	) Plug Assembly	1
▲	10	21934	(000000-	) Relief Vlv Assy	1
▲	11	74243	(000000-	) Ring, Retaining	1
▲	12	74196	(000000-	) Spring Kit	1
▲	13	74244	(000000-	) Seal Kit, Stg	1
▲	14	74245	(000000-	) Instr.Repair Info	1

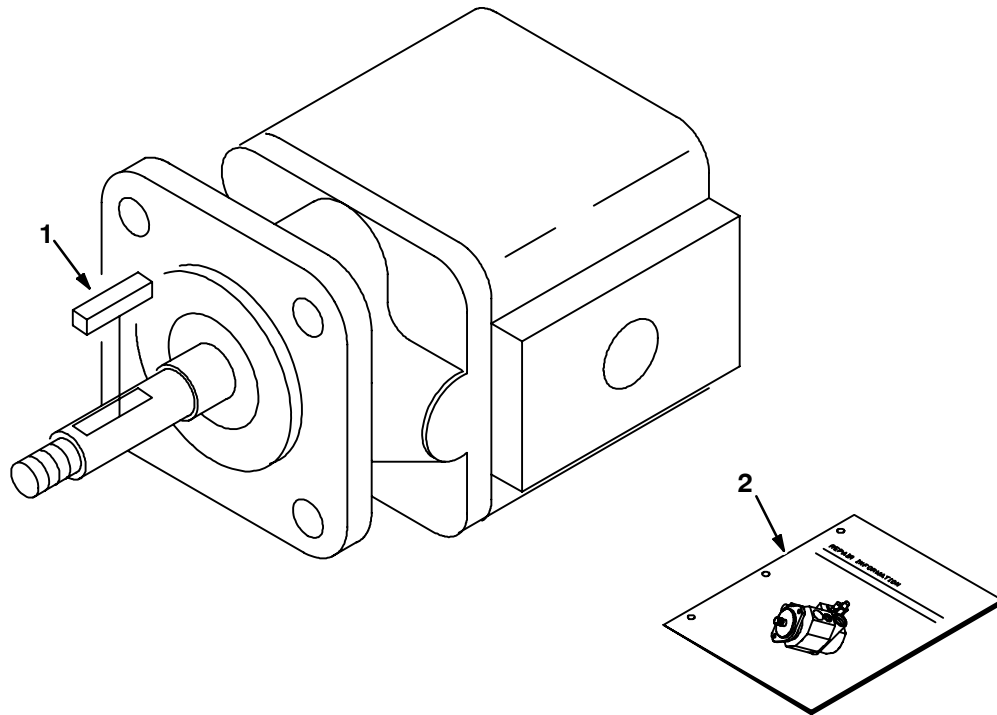
**Fig. 10 - Hydraulic Motor Breakdown, 73112**



09664-09670 - ALL

Ref.	Part No.	Serial Number	Description	Qty.
▽	73112	(000000-	) Motor, Hyd Gear Ex 0.13 L 3000	1
▲	1 00954	(000000-	) Key Square 0.12 0.12 01.00 Lg	1
▲	74233	(000000-	) Seal Kit, Hyd Mtr Gear Bn	1
▲	2 IB3614	(000000-	) Repair Info.	1

**Fig. 11 - Hydraulic Motor Breakdown, 71719**



09664-09670 - ALL

Ref.	Part No.	Serial Number	Description	Qty.
▽	71719	(000000-	) Motor, Hyd Gear	1
▲	1 00960	(000000-	) Key Square 0.12 0.12 00.50 Lg	1
▲	74233	(000000-	) Seal Kit, Hyd Motor Gear	1
▲	2 IB3614	(000000-	) Instr. Motor Seal Kit F-74147	1

**Fig. 12 - Hydraulic Solenoid Valve Breakdown, 71705**

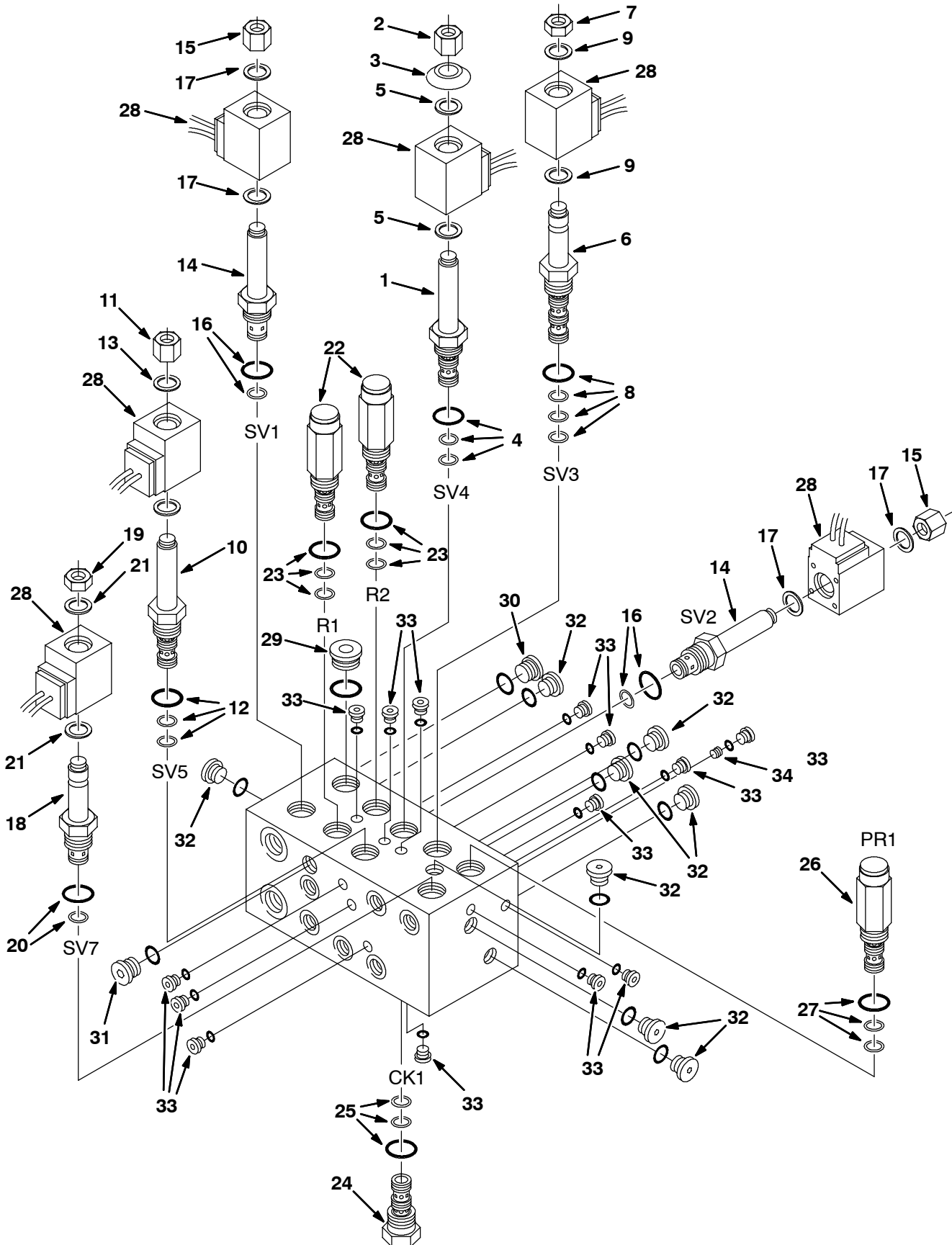


Fig. 12 - Hydraulic Solenoid Valve Breakdown, 71705

	Ref.	Part No.	Serial Number	Description	Qty.
▽		71705	(000000-	) Valve, Hyd Cntrl Sol	1
▲▽	1	25858	(000000-	) Cartridge Repl Kit Std Brush	1
▲▲	2	79731	(000000-	) Nut, Cart., Lng	1
▲▲	3	21923	(000000-	) Spacer, Coil	1
▲▲	4	79711	(000000-	) Seal Kit, Cart	1
▲▲	5	79740	(000000-	) Seal Kit, Coil	1
▲▽	6	79719	(000000-	) Valve Stem 4W2P	1
▲▲	7	79728	(000000-	) Nut, Cart	1
▲▲	8	79711	(000000-	) Seal Kit, Cart	1
▲▲	9	79740	(000000-	) Seal Kit, Coil	1
▲▽	10	21906	(000000-	) Valve Stem 3W2P	1
▲▲	11	79731	(000000-	) Nut, Cart., Lng	1
▲▲	12	79711	(000000-	) Seal Kit, Cart	1
▲▲	13	79740	(000000-	) Seal Kit, Coil	1
▲▽	14	79739	(000000-	) Stem, Valve	2
▲▲	15	79731	(000000-	) Nut, Cart., Lng	1
▲▲	16	79711	(000000-	) Seal Kit, Cart	1
▲▲	17	79740	(000000-	) Seal Kit, Coil	1
▲▽	18	21907	(000000-	) Valve Stem N.C.	1
▲▲	19	79728	(000000-	) Nut, Cart	1
▲▲	20	79711	(000000-	) Seal Kit, Cart	1
▲▲	21	79740	(000000-	) Seal Kit, Coil	1
▲▽	22	65240	(000000-	) Valve, Relief	2
▲▲	23	79711	(000000-	) Seal Kit, Cart	1
▲▽	24	21919	(000000-	) Cart,Pilot Chk	1
▲▲	25	79711	(000000-	) Seal Kit, Cart	1
▲▽	26	21904	(000000-	) Cart, Psi	1
▲▲	27	79711	(000000-	) Seal Kit, Cart	1
▲	28	21916	(000000-	) Coil, 12V	6
▲	29	74099	(000000-	) Plug #10	1
▲	30	13907	(000000-	) Plug #8	1
▲	31	13904	(000000-	) Plug Gage #6	1
▲	32	74098	(000000-	) Plug #4	7
▲	33	13902	(000000-	) Plug #2	14
▲	34	21920	(000000-	) Plug, Orifice Cp	1

Note: Scrub Brushes Must Be Matched With Proper Hydraulic Cartridge.

**Fig. 13 - Hydraulic Solenoid Valve Breakdown, Side Brush 71760**

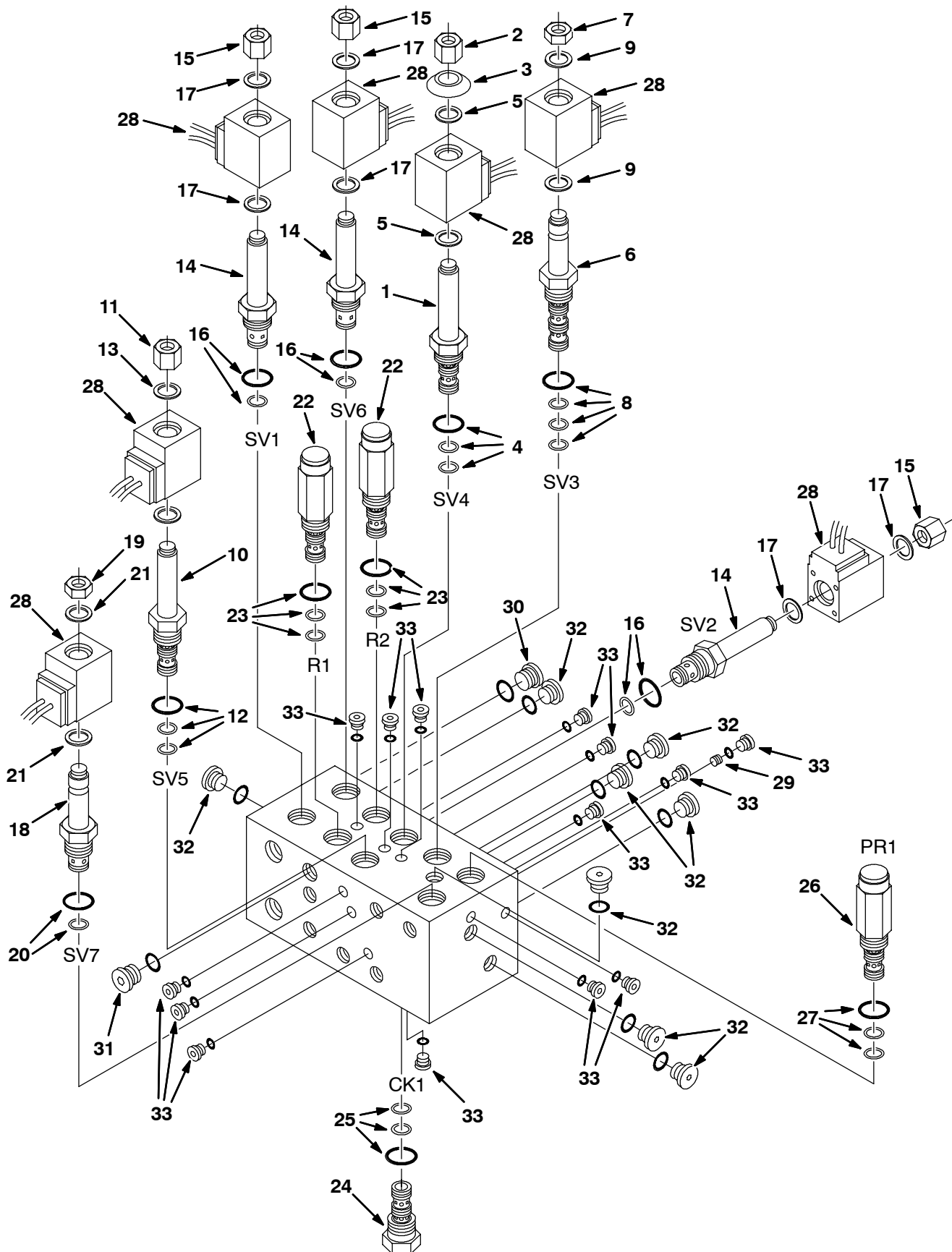


Fig. 13 - Hydraulic Solenoid Valve Breakdown, Side Brush 71760

	Ref.	Part No.	Serial Number	Description	Qty.
▽		71760	(000000-	) Valve Assy, Side Brush	1
▲▽	1	25858	(000000-	) Cartridge Repl Kit Std Brush	1
▲▲	2	79731	(000000-	) Nut, Cart., Lng	1
▲▲	3	21923	(000000-	) Spacer, Coil	1
▲▲	4	79711	(000000-	) Seal Kit, Cart	1
▲▲	5	79740	(000000-	) Seal Kit, Coil	1
▲▽	6	79719	(000000-	) Valve Stem 4W2P	1
▲▲	7	79728	(000000-	) Nut, Cart	1
▲▲	8	79711	(000000-	) Seal Kit, Cart	1
▲▲	9	79740	(000000-	) Seal Kit, Coil	1
▲▽	10	21906	(000000-	) Valve Stem 3W2P	1
▲▲	11	79731	(000000-	) Nut, Cart., Lng	1
▲▲	12	79711	(000000-	) Seal Kit, Cart	1
▲▲	13	79740	(000000-	) Seal Kit, Coil	1
▲▽	14	79739	(000000-	) Stem, Valve	3
▲▲	15	79731	(000000-	) Nut, Cart., Lng	1
▲▲	16	79711	(000000-	) Seal Kit, Cart	1
▲▲	17	79740	(000000-	) Seal Kit, Coil	1
▲▽	18	21907	(000000-	) Valve Stem N.C.	1
▲▲	19	79728	(000000-	) Nut, Cart	1
▲▲	20	79711	(000000-	) Seal Kit, Cart	1
▲▲	21	79740	(000000-	) Seal Kit, Coil	1
▲▽	22	65240	(000000-	) Valve, Relief	2
▲▲	23	79711	(000000-	) Seal Kit, Cart	1
▲▽	24	21919	(000000-	) Cart,Pilot Chk	1
▲▲	25	79711	(000000-	) Seal Kit, Cart	1
▲▽	26	21904	(000000-	) Cart, Psi	1
▲▲	27	79711	(000000-	) Seal Kit, Cart	1
▲	28	21916	(000000-	) Coil, 12V	7
▲	29	21920	(000000-	) Plug, Orifice Cp	1
▲	30	13907	(000000-	) Plug #8	1
▲	31	13904	(000000-	) Plug Gage #6	1
▲	32	74098	(000000-	) Plug #4	7
▲	33	13902	(000000-	) Plug #2	14

Note: Scrub Brushes Must Be Matched With Proper Hydraulic Cartridge.

**Fig. 14 - Hydraulic Solenoid Valve Breakdown, Nylon Brush, 71761**

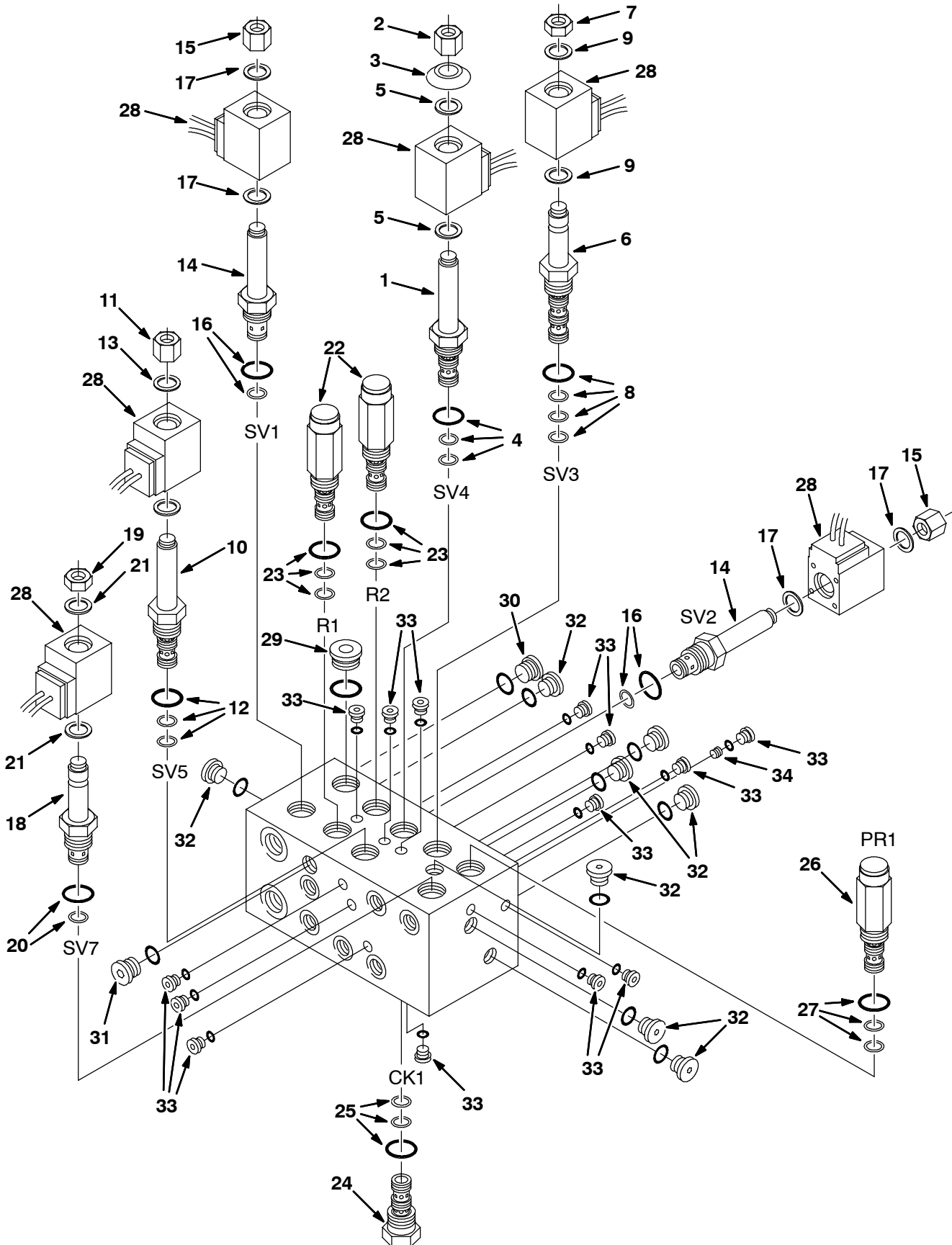




Fig. 14 - Hydraulic Solenoid Valve Breakdown, Nylon Brush, 71761

	Ref.	Part No.	Serial Number	Description	Qty.
▽		71761	(000000-	) Valve Assy, Nylon Brush	1
▲▽	1	25812	(000000-	) Cartridge Repl Kit, Nylon Brush	1
▲▲	2	79731	(000000-	) Nut, Cart., Lng	1
▲▲	3	21923	(000000-	) Spacer, Coil	1
▲▲	4	79711	(000000-	) Seal Kit, Cart	1
▲▲	5	79740	(000000-	) Seal Kit, Coil	1
▲▽	6	79719	(000000-	) Valve Stem 4W2P	1
▲▲	7	79728	(000000-	) Nut, Cart	1
▲▲	8	79711	(000000-	) Seal Kit, Cart	1
▲▲	9	79740	(000000-	) Seal Kit, Coil	1
▲▽	10	21906	(000000-	) Valve Stem 3W2P	1
▲▲	11	79731	(000000-	) Nut, Cart., Lng	1
▲▲	12	79711	(000000-	) Seal Kit, Cart	1
▲▲	13	79740	(000000-	) Seal Kit, Coil	1
▲▽	14	79739	(000000-	) Stem, Valve	2
▲▲	15	79731	(000000-	) Nut, Cart., Lng	1
▲▲	16	79711	(000000-	) Seal Kit, Cart	1
▲▲	17	79740	(000000-	) Seal Kit, Coil	1
▲▽	18	21907	(000000-	) Valve Stem N.C.	1
▲▲	19	79728	(000000-	) Nut, Cart	1
▲▲	20	79711	(000000-	) Seal Kit, Cart	1
▲▲	21	79740	(000000-	) Seal Kit, Coil	1
▲▽	22	65240	(000000-	) Valve, Relief	2
▲▲	23	79711	(000000-	) Seal Kit, Cart	1
▲▽	24	21919	(000000-	) Cart,Pilot Chk	1
▲▲	25	79711	(000000-	) Seal Kit, Cart	1
▲▽	26	21904	(000000-	) Cart, Psi	1
▲▲	27	79711	(000000-	) Seal Kit, Cart	1
▲	28	21916	(000000-	) Coil, 12V	6
▲	29	74099	(000000-	) Plug #10	1
▲	30	13907	(000000-	) Plug #8	1
▲	31	13904	(000000-	) Plug Gage #6	1
▲	32	74098	(000000-	) Plug #4	7
▲	33	13902	(000000-	) Plug #2	14
▲	34	21920	(000000-	) Plug, Orifice Cp	1

Note: Scrub Brushes Must Be Matched With Proper Hydraulic Cartridge.

**Fig. 15 - Hydraulic Solenoid Valve Breakdown, Side Brush and Nylon Brush, 71762**

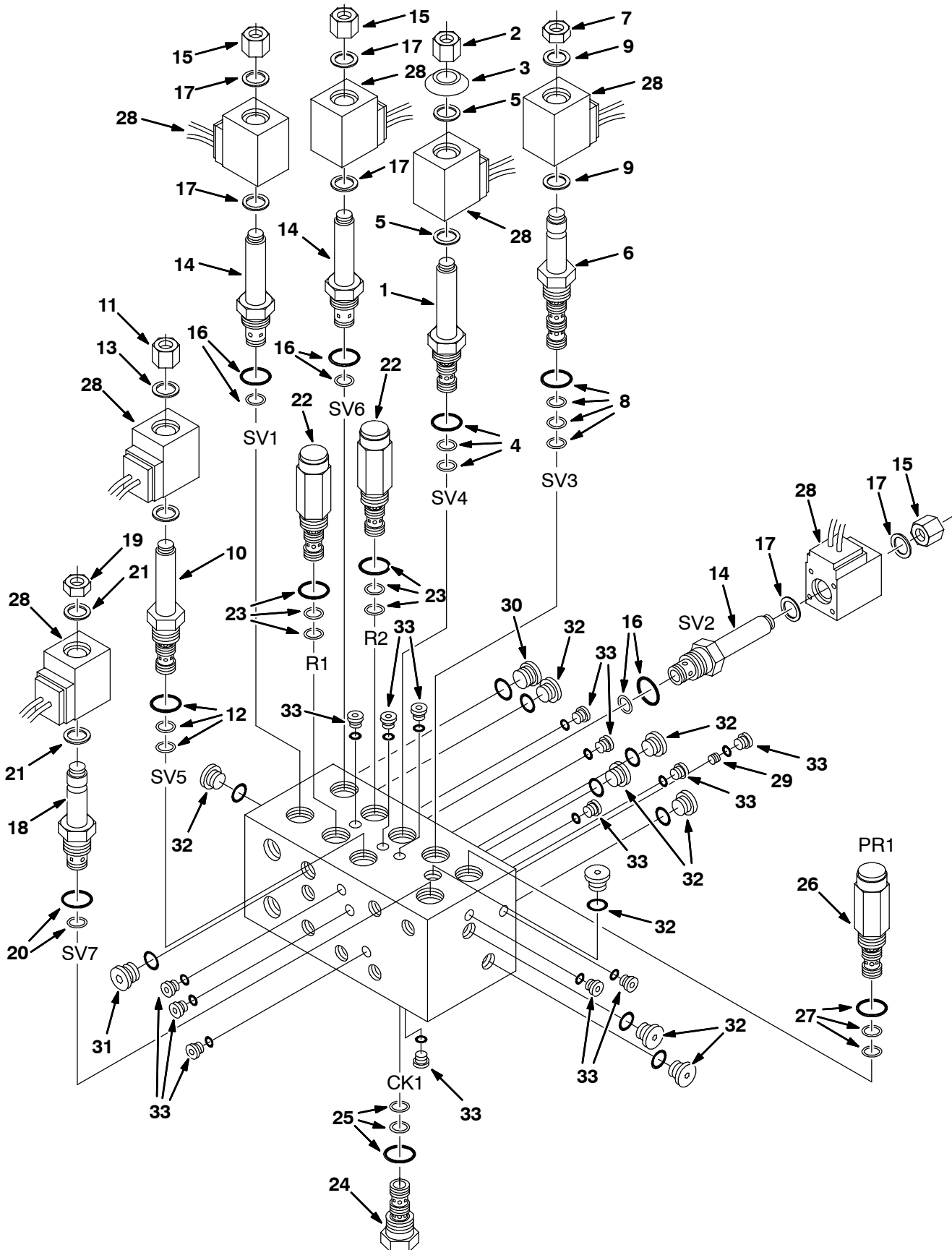


Fig. 15 - Hydraulic Solenoid Valve Breakdown, Side Brush and Nylon Brush, 71762

	Ref.	Part No.	Serial Number	Description	Qty.
▽		71762	(000000-	) Valve Assy, Side Br, Nylon Br	1
▲▽	1	25812	(000000-	) Cartridge Repl Kit, Nylon Brush	1
▲▲	2	79731	(000000-	) Nut, Cart., Lng	1
▲▲	3	21923	(000000-	) Spacer, Coil	1
▲▲	4	79711	(000000-	) Seal Kit, Cart	1
▲▲	5	79740	(000000-	) Seal Kit, Coil	1
▲▽	6	79719	(000000-	) Valve Stem 4W2P	1
▲▲	7	79728	(000000-	) Nut, Cart	1
▲▲	8	79711	(000000-	) Seal Kit, Cart	1
▲▲	9	79740	(000000-	) Seal Kit, Coil	1
▲▽	10	21906	(000000-	) Valve Stem 3W2P	1
▲▲	11	79731	(000000-	) Nut, Cart., Lng	1
▲▲	12	79711	(000000-	) Seal Kit, Cart	1
▲▲	13	79740	(000000-	) Seal Kit, Coil	1
▲▽	14	79739	(000000-	) Stem, Valve	3
▲▲	15	79731	(000000-	) Nut, Cart., Lng	1
▲▲	16	79711	(000000-	) Seal Kit, Cart	1
▲▲	17	79740	(000000-	) Seal Kit, Coil	1
▲▽	18	21907	(000000-	) Valve Stem N.C.	1
▲▲	19	79728	(000000-	) Nut, Cart	1
▲▲	20	79711	(000000-	) Seal Kit, Cart	1
▲▲	21	79740	(000000-	) Seal Kit, Coil	1
▲▽	22	65240	(000000-	) Valve, Relief	2
▲▲	23	79711	(000000-	) Seal Kit, Cart	1
▲▽	24	21919	(000000-	) Cart,Pilot Chk	1
▲▲	25	79711	(000000-	) Seal Kit, Cart	1
▲▽	26	21904	(000000-	) Cart, Psi	1
▲▲	27	79711	(000000-	) Seal Kit, Cart	1
▲	28	21916	(000000-	) Coil, 12V	7
▲	29	21920	(000000-	) Plug, Orifice Cp	1
▲	30	13907	(000000-	) Plug #8	1
▲	31	13904	(000000-	) Plug Gage #6	1
▲	32	74098	(000000-	) Plug #4	7
▲	33	13902	(000000-	) Plug #2	14

Note: Scrub Brushes Must Be Matched With Proper Hydraulic Cartridge.

**Fig. 16 - Hydraulic Solenoid Valve Breakdown, 71708**

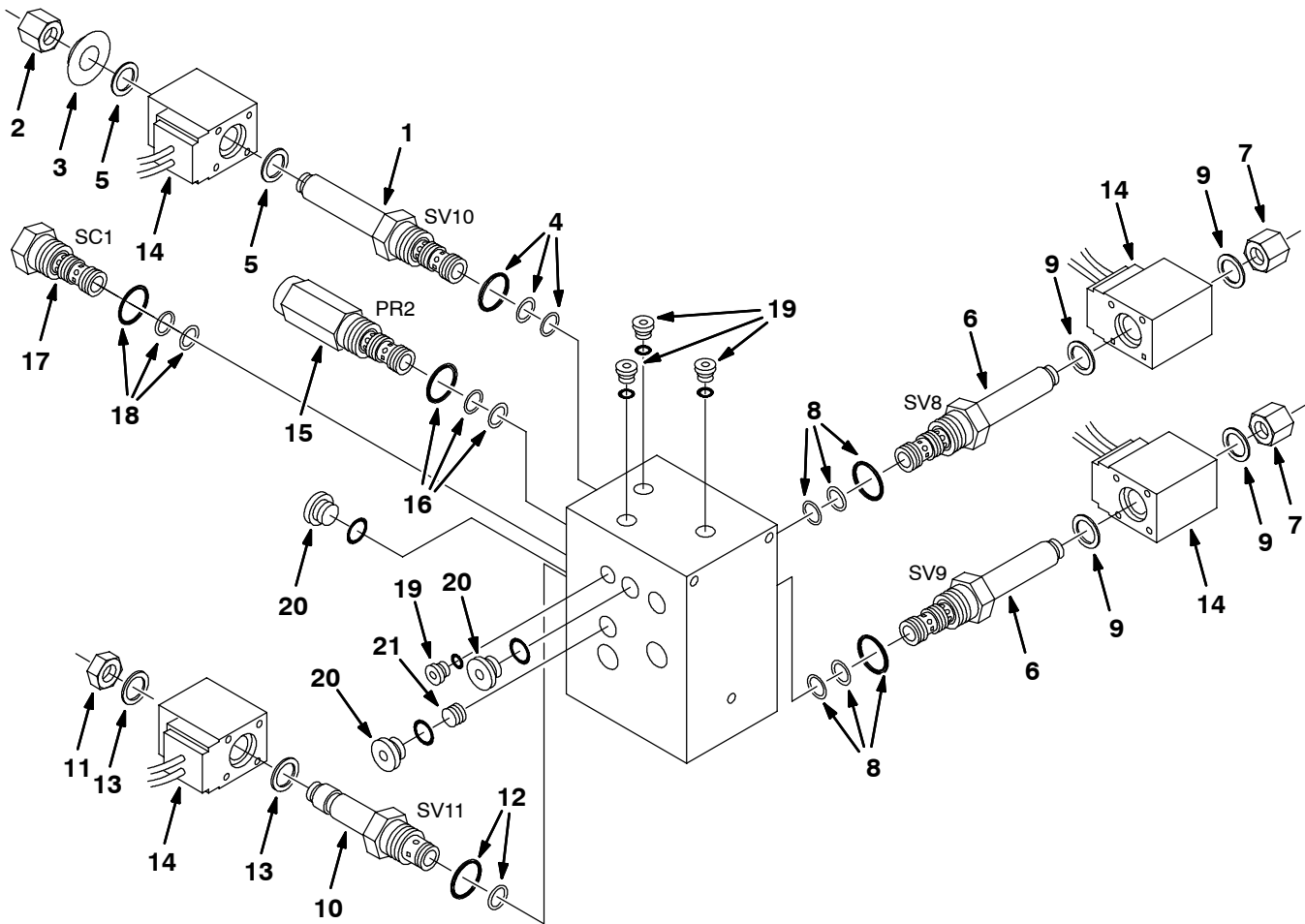


Fig. 16 - Hydraulic Solenoid Valve Breakdown, 71708

	Ref.	Part No.	Serial Number	Description	Qty.
▽		71708	(000000-	) Valve, Hyd Cntrl Sol	1
▲▽	1	21931	(000000-	) Cart, Psi Control	1
▲▲	2	79731	(000000-	) Nut, Cart., Lng	1
▲▲	3	21923	(000000-	) Spacer, Coil	1
▲▲	4	79711	(000000-	) Seal Kit, Cart	1
▲▲	5	79740	(000000-	) Seal Kit, Coil	1
▲▽	6	21906	(000000-	) Valve Stem 3W2P	2
▲▲	7	79731	(000000-	) Nut, Cart., Lng	1
▲▲	8	79711	(000000-	) Seal Kit, Cart	1
▲▲	9	79740	(000000-	) Seal Kit, Coil	1
▲▽	10	21907	(000000-	) Valve Stem N.C.	1
▲▲	11	79728	(000000-	) Nut, Cart	1
▲▲	12	79711	(000000-	) Seal Kit, Cart	1
▲▲	13	79740	(000000-	) Seal Kit, Coil	1
▲	14	21916	(000000-	) Coil, 12V	4
▲▽	15	21904	(000000-	) Cart, Psi	1
▲▲	16	79711	(000000-	) Seal Kit, Cart	1
▲▽	17	21921	(000000-	) Cart, Shuttle Chk	1
▲▲	18	79711	(000000-	) Seal Kit, Cart	1
▲	19	13902	(000000-	) Plug #2	4
▲	20	74098	(000000-	) Plug #4	3
▲	21	21922	(000000-	) Fitting, Plug, Valve, Hyd	1

**Fig. 17 - Extended Scrub Pump Breakdown, 20914**

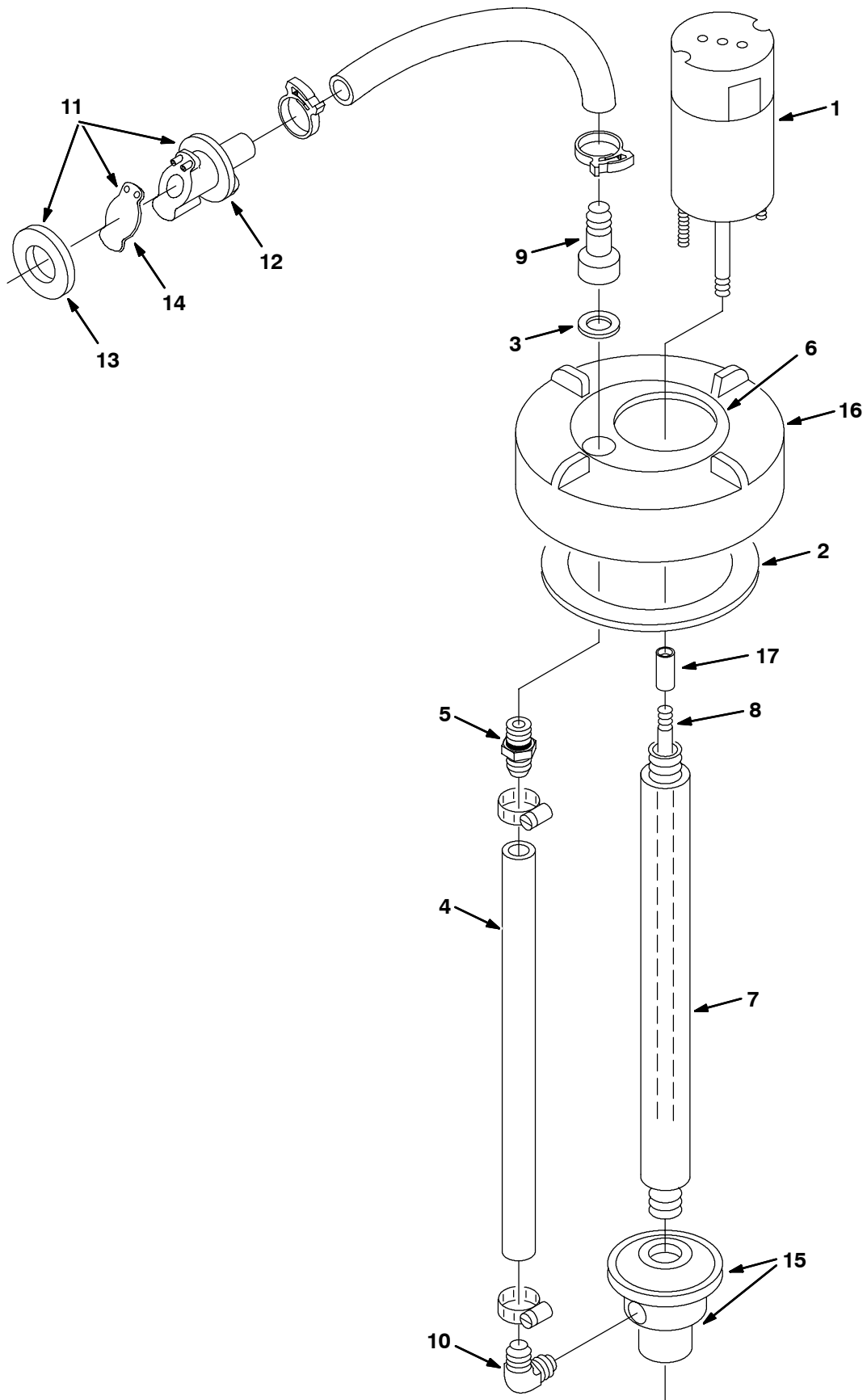


Fig. 17 - Extended Scrub Pump Breakdown, 20914

	Ref.	Part No.	Serial Number	Description	Qty.
▽		20914	(000000-	) Pump, Column, Es	1
▲▽	1	23282	(000000-	) Motor 12V Dc	1
▲▲		78829	(000000-	) Brush Kit	1
▲	2	1031699	(000000-	) Gasket, .19, 4.05id 5.29od [Buna]	1
▲	3	78830	(000000-	) Washer, Rubber Gr	1
▲	4	78833	(000000-	) Tubing, Vinyl	1
▲	5	78398	(000000-	) Fitting ,Str Gr	1
▲	6	22790	(000000-	) Retainer, Gasket	1
▲	7	78836	(000000-	) Column, Pump	1
▲	8	23283	(000000-	) Shaft, Pump	1
▲	9	01644	(000000-	) Ftg,Plstc .5Barb .5Pf	1
▲	10	78839	(000000-	) Fitting , Elbow Gr	1
▲▽	11	78842	(000000-	) Check Valve Kit	1
▲▲	12	78840	(000000-	) Valve, Check	1
▲▲	13	73342	(000000-	) Gasket, Check Valve	1
▲▲	14	78841	(000000-	) Flapper, Valve	1
▲	15	78843	(000000-	) Pump Body Kit	1
▲	16	86575	(000000-	) Cap, Drain	1
▲	17	23285	(000000-	) Sleeve	1

**Fig. 18 - Extended Scrub Pump Breakdown, 379005**

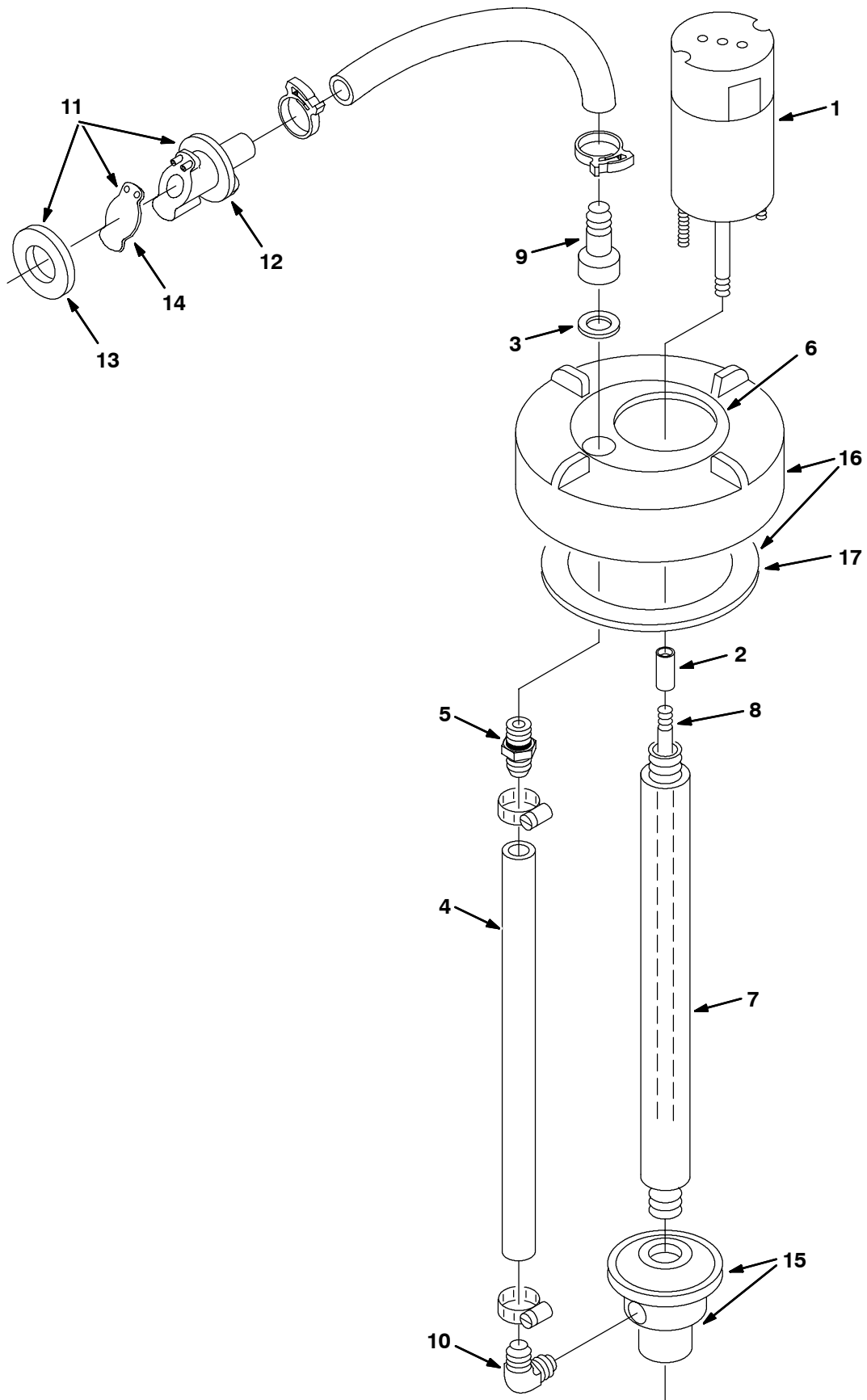




Fig. 18 - Extended Scrub Pump Breakdown, 379005

	Ref.	Part No.	Serial Number	Description	Qty.
▽		379005	(000000-	) Pump, Column, Es	1
▲▽	1	23282	(000000-	) Motor 12V Dc	1
▲▲		78829	(000000-	) Brush Kit	1
▲	2	23285	(000000-	) Sleeve	1
▲	3	78830	(000000-	) Washer, Rubber Gr	1
▲	4	78833	(000000-	) Tubing, Vinyl	1
▲	5	78398	(000000-	) Fitting ,Str Gr	1
▲	6	22790	(000000-	) Retainer, Gasket	1
▲	7	78836	(000000-	) Column, Pump	1
▲	8	23283	(000000-	) Shaft, Pump	1
▲	9	01644	(000000-	) Ftg,Plstc .5Barb .5Pf	1
▲	10	78839	(000000-	) Fitting , Elbow Gr	1
▲▽	11	78842	(000000-	) Check Valve Kit	1
▲▲	12	78840	(000000-	) Valve, Check	1
▲▲	13	73342	(000000-	) Gasket, Check Valve	1
▲▲	14	78841	(000000-	) Flapper, Valve	1
▲	15	78843	(000000-	) Pump Body Kit	1
▲▽	16	24358	(000000-	) Cap Assy, Tank	1
▲▲	17	1031699	(000000-	) Gasket, .19, 4.05id 5.29od [Buna]	1

**Fig. 19 - Extended Scrub Pump Breakdown, 20891**

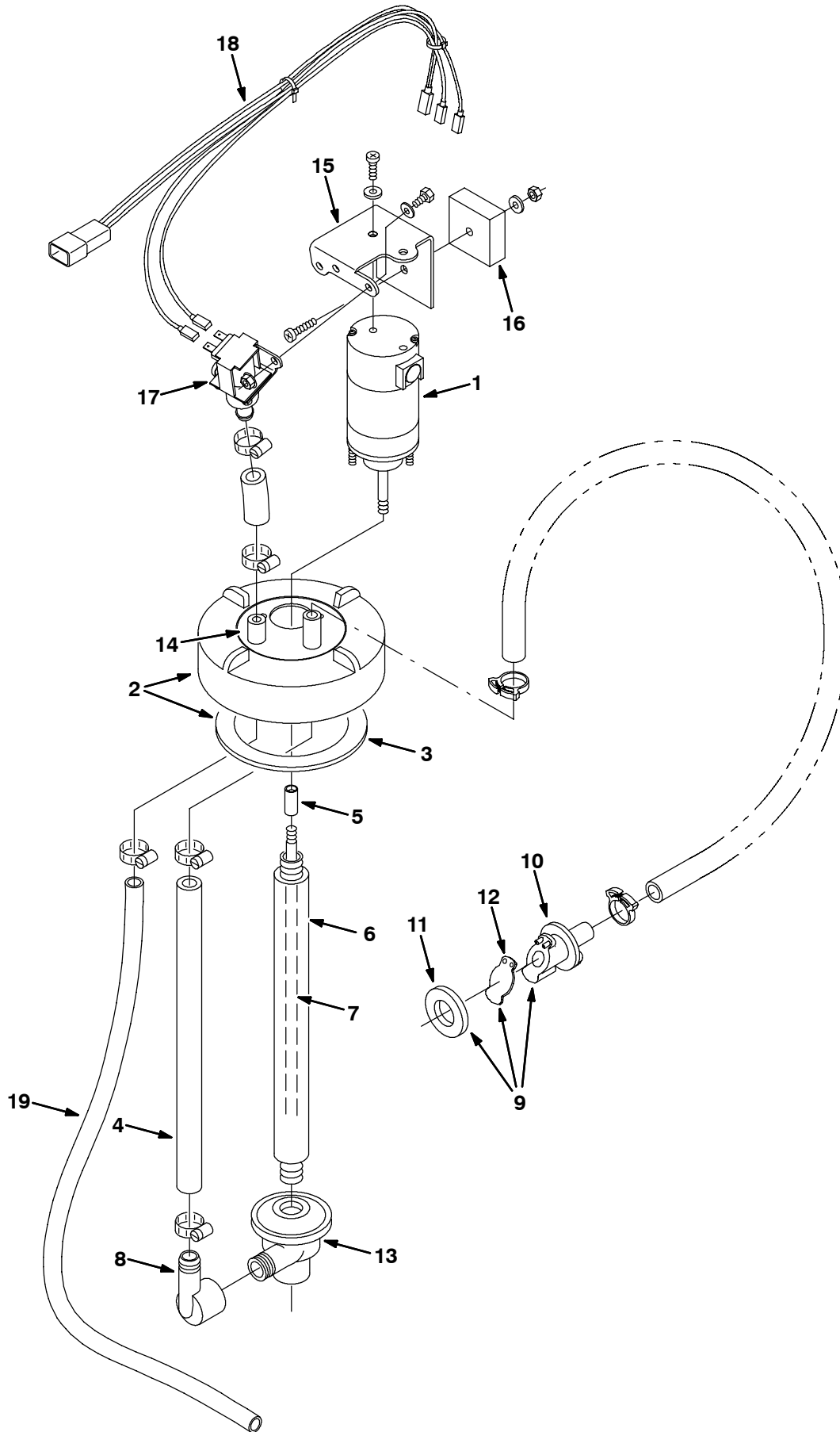


Fig. 19 - Extended Scrub Pump Breakdown, 20891

	Ref.	Part No.	Serial Number	Description	Qty.
▽		20891	(000000-	) Pump, Water	1
▲▽	1	23282	(000000-	) Motor 12V Dc	1
▲▲		78829	(000000-	) Kit, Brush	1
▲▽	2	24358	(000000-	) Cap, Tank	1
▲▲	3	1031699	(000000-	) Gasket, .19, 4.05id 5.29od [Buna]	1
▲	4	78833	(000000-	) Tubing, Vinyl	1
▲	5	23285	(000000-	) Sleeve	1
▲	6	78836	(000000-	) Column	1
▲	7	23283	(000000-	) Shaft, Pump	1
▲	8	78839	(000000-	) Fitting	1
▲▽	9	78842	(000000-	) Check Valve Kit	1
▲▲	10	78840	(000000-	) Valve, Check	1
▲▲	11	73342	(000000-	) Gasket	1
▲▲	12	78841	(000000-	) Flapper, Valve	1
▲	13	78843	(000000-	) Pump Body Kit	1
▲	14	20892	(000000-	) Backflush,Cover Lid	1
▲	15	20885	(000000-	) Bracket, Solenoid Valve	1
▲	16	20989	(000000-	) Timer, Backflush	1
▲	17	369850	(000000-	) Valve, Water, Sol, 12vdc, 10bm/10bm	1
▲	18	20988	(000000-	) Wireharness, Backflush	1
▲	19	20778	(000000-	) Hose, Vinyl, Clear	1

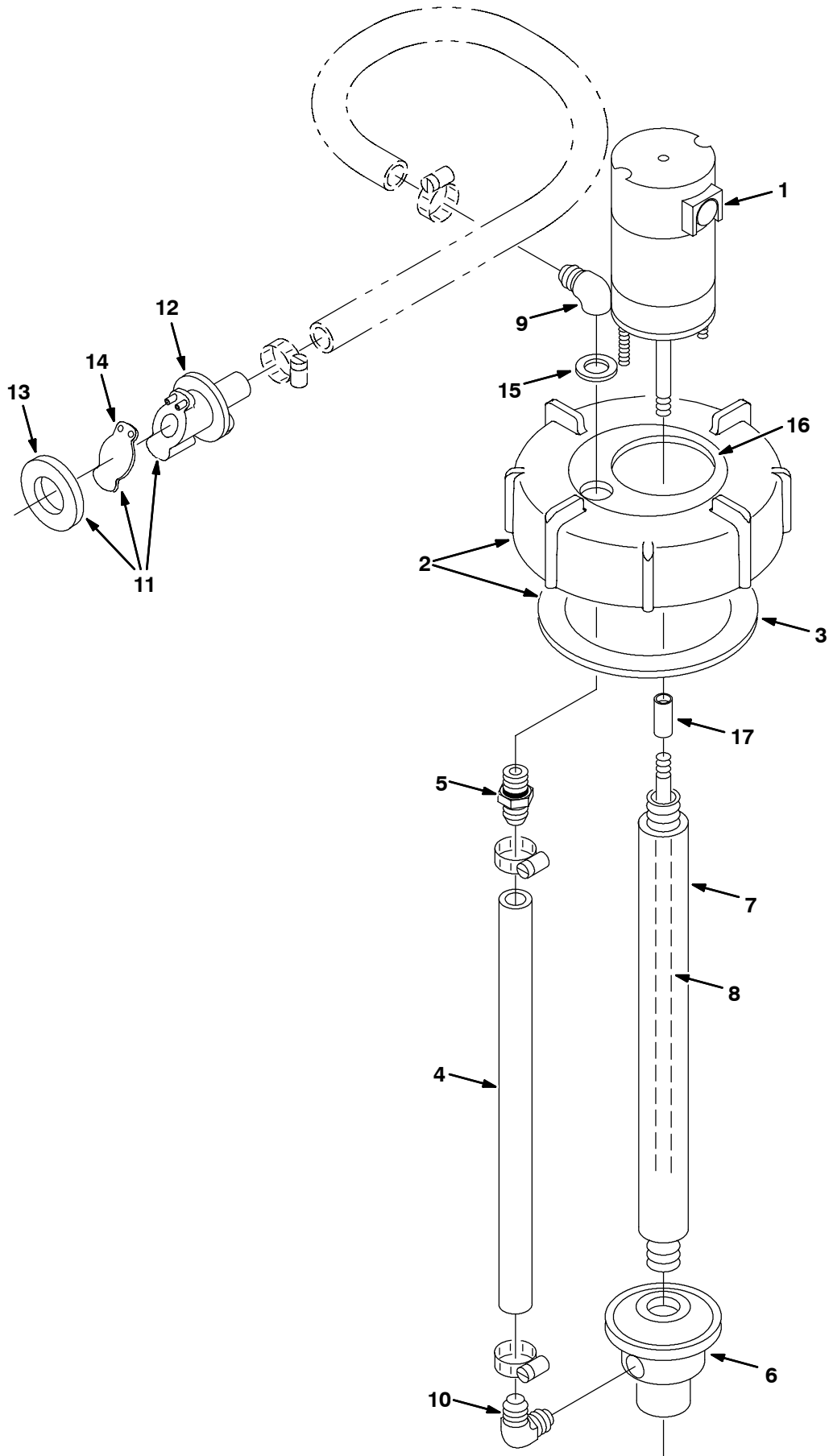
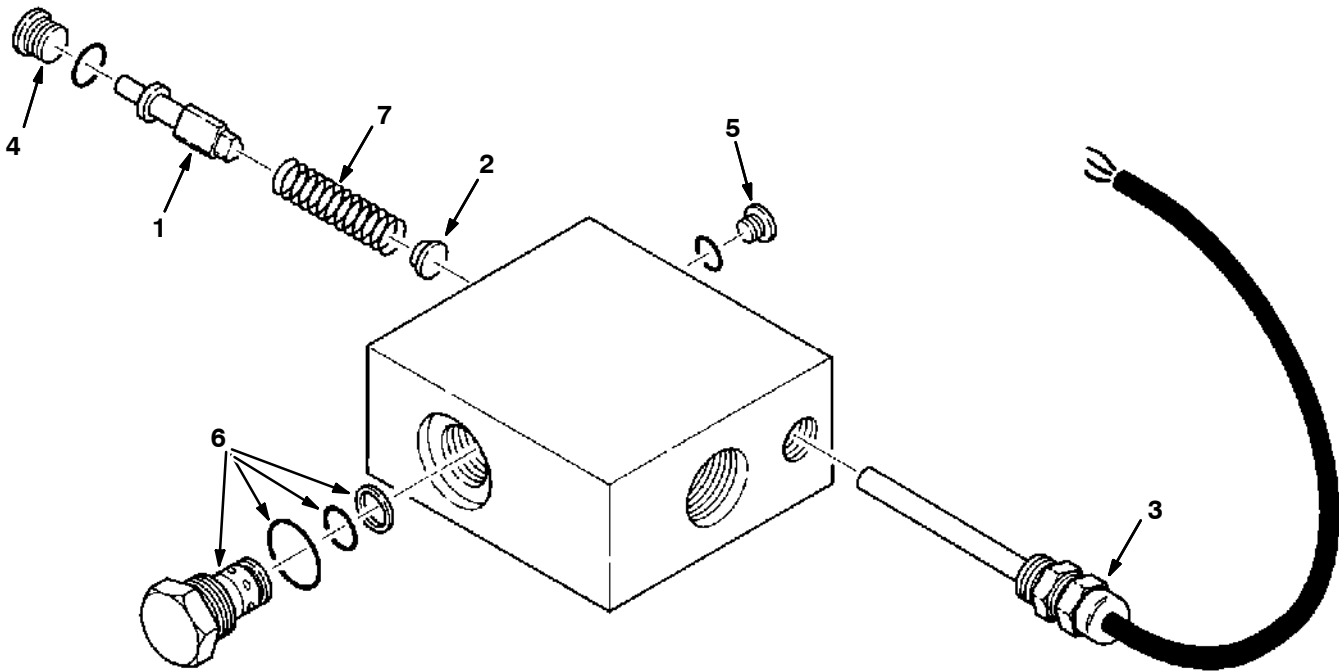
**Fig. 20 - Extended Scrub Pump Breakdown, 1021210**

Fig. 20 - Extended Scrub Pump Breakdown, 1021210

	Ref.	Part No.	Serial Number	Description	Qty.
▽		1021210	(000000-	) Pump Assy, Column, Es	1
▲▽	1	23282	(000000-	) Motor 12V Dc	1
▲▲		78829	(000000-	) Brush Kit	1
▲▽	2	24358	(000000-	) Cap Assy, Tank	1
▲▲	3	1031699	(000000-	) Gasket, .19, 4.05id 5.29od [Buna]	1
▲	4	78833	(000000-	) Tubing, Vinyl	1
▲	5	78398	(000000-	) Fitting, Plstc, Str	1
▲	6	78843	(000000-	) Pump Body Kit	1
▲	7	78836	(000000-	) Column, Pump	1
▲	8	23283	(000000-	) Pump Shaft	1
▲	9	78838	(000000-	) Fitting, Elbow Gr	1
▲	10	78839	(000000-	) Fitting , Elbow Gr	1
▲▽	11	78842	(000000-	) Check Valve Kit	1
▲▲	12	78840	(000000-	) Valve, Check	1
▲▲	13	73342	(000000-	) Gasket, Check Valve	1
▲▲	14	78841	(000000-	) Flapper, Valve	1
▲	15	78830	(000000-	) Washer, Rubber	1
▲	16	22790	(000000-	) Insert, Cap	1
▲	17	23285	(000000-	) Sleeve Gr	1

# BREAKDOWNS

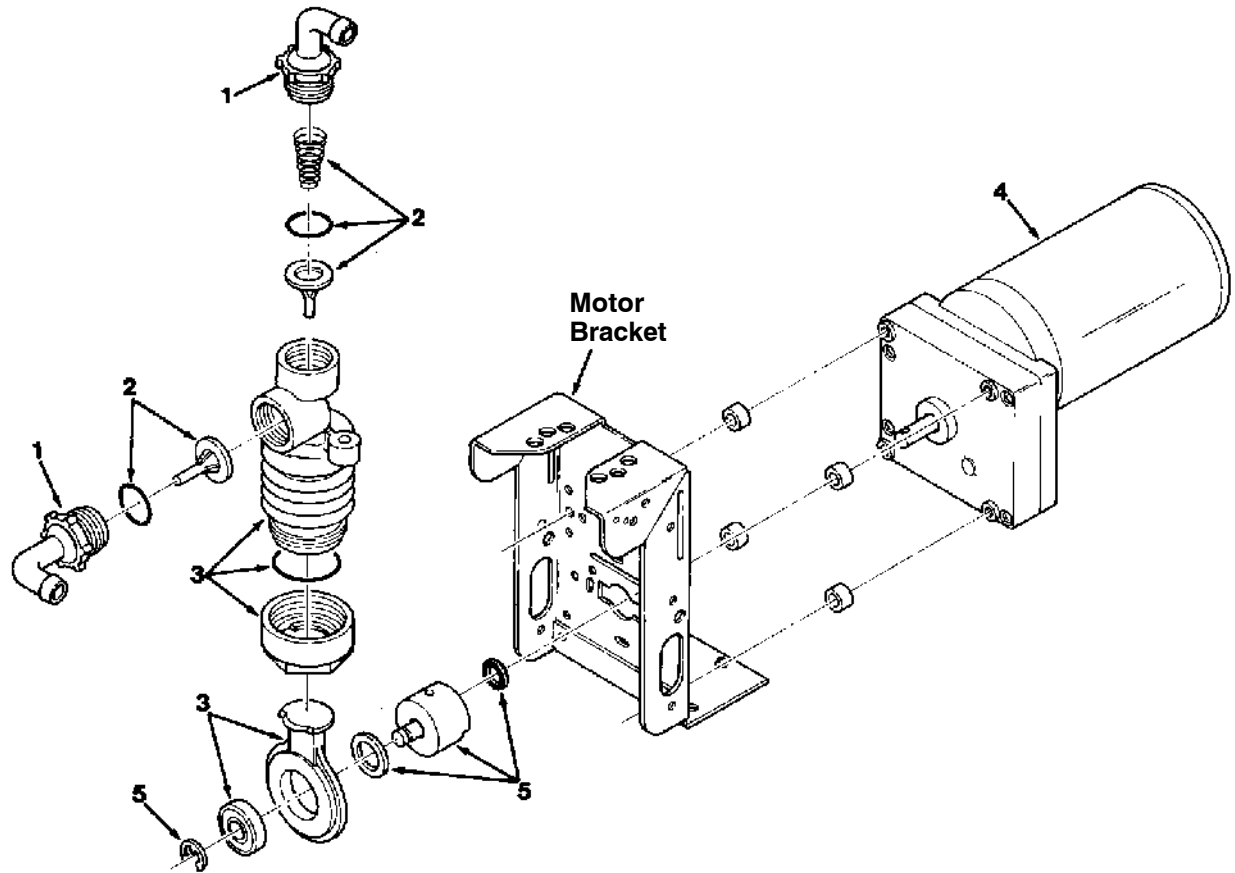
Fig. 21 - Hydraulic Flow Sensor Switch Breakdown, 73430



10854 - ALL

Ref.	Part No.	Serial Number	Description	Qty.
▽	73430	(000000-	) Switch, Hyd Flow Sensor	1
▲	1 79712	(000000-	) Actuator, Mag	1
▲	2 79713	(000000-	) Cushion, Piston	1
▲	3 79714	(000000-	) Switch Assy	1
▲	4 13904	(000000-	) Plug Gage #6	1
▲	5 13902	(000000-	) Plug #2	1
▲	6 79710	(000000-	) Cart, Check Vlv	1
▲	7 79715	(000000-	) Spring	1

**Fig. 22 - Metering Solution Pump Breakdown, 73260**



00112 - ALL

Ref.	Part No.	Serial Number	Description	Qty.
▽	73260	(000000-	) Pump, Detergent Metering	1
▲	1 63923	(000000-	) Tubing Connctr.Kit, Pmp	1
▲	2 21659	(000000-	) Valve Kit, Poppet	1
▲	3 21657	(000000-	) Bellows Kit	1
▲	4 78875	(000000-	) Gear Motor Assy	1
▲	5 02430	(000000-	) Crank Replmt.Kit,Pump	1

**Fig. 23 - Hydraulic Pump Breakdown, 373453**

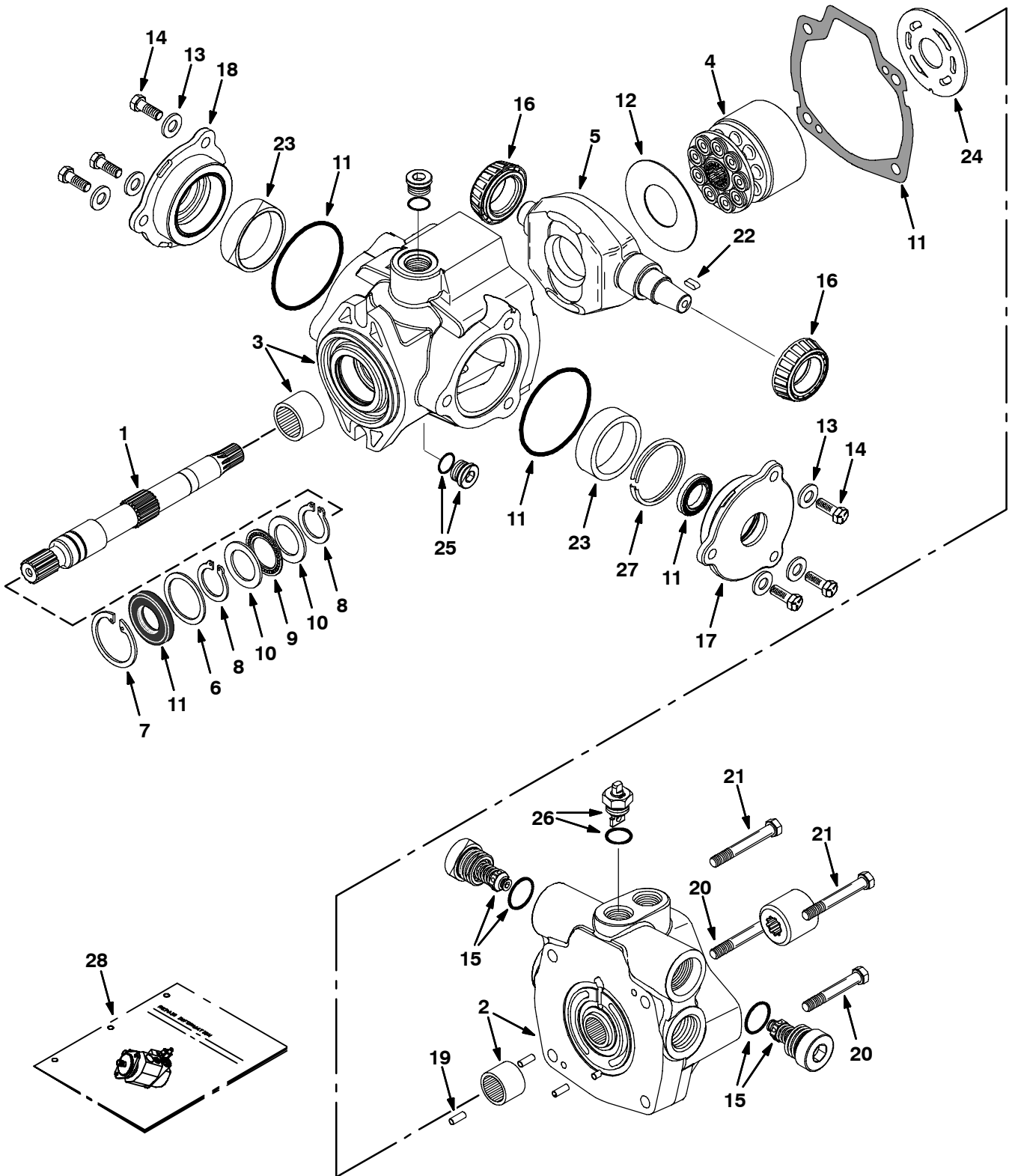




Fig. 23 - Hydraulic Pump Breakdown, 373453

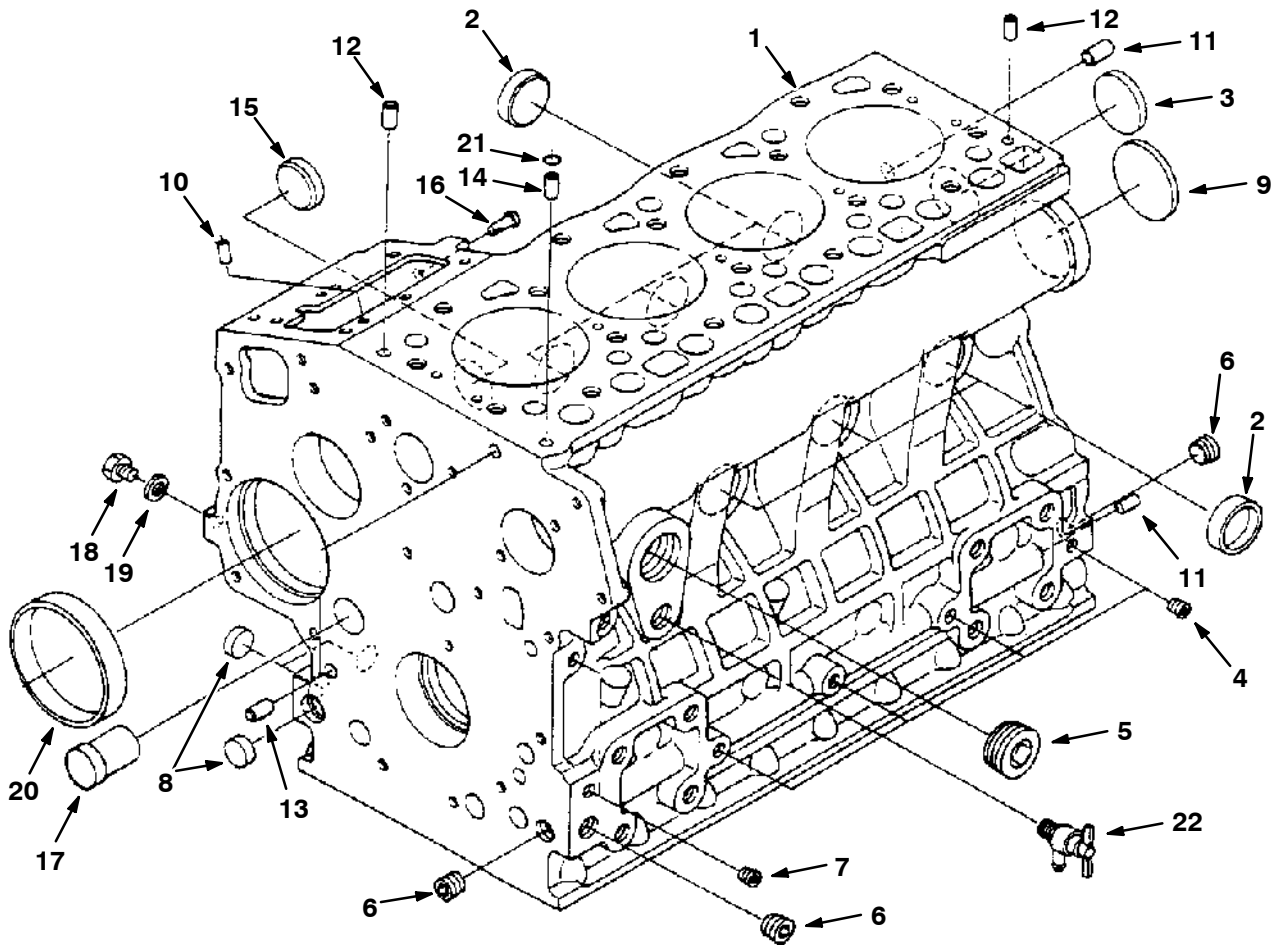
Ref.	Part No.	Serial Number	Description	Qty.
▽	373453	(000000-	) Pump, Hyd, Piston [V] 1.24 [R] 4000	1
▲	1 21925	(000000-	) Shaft, Drive, Pump, Hyd	1
▲	2 373427	(000000-	) Cover, End	1
▲	3 373389	(000000-	) Housing	1
▲	4 02706	(000000-	) Kit, Rotating, Pump, Hyd	1
▲	5 373493	(000000-	) Plate, Cam	1
▲	6 70096	(000000-	) Washer, Flat, Pump, Hyd	1
▲	7 55926	(000000-	) Ring, Retaining, Pump, Hyd	1
▲	8 373434	(000000-	) Ring, Retining	2
▲	9 74225	(000000-	) Bearing, Thrust, Pump, Hyd	1
▲	10 74226	(000000-	) Race, Bearing, Pump, Hyd	2
▲	11 373398	(000000-	) Kit, Seal, Hyd, Pump	1
▲	12 373327	(000000-	) Insert, Plate, Cam, Pump, Hyd	1
▲	13 373391	(000000-	) Washer, Pump, Hyd	6
▲	14 373346	(000000-	) Screw, Cap	6
▲	15 373494	(000000-	) Valve, Relief, 4000 Psi	1
▲	16 373317	(000000-	) Bearing, Cone, Pump, Hyd	2
▲	17 373393	(000000-	) Plate, Cover	1
▲	18 373394	(000000-	) Plate, Cover	1
▲	19 70100	(000000-	) Pin, Dowel, Pump, Hyd	2
▲	20 373347	(000000-	) Screw, Cap	2
▲	21 373348	(000000-	) Screw, Cap	2
▲	22 74237	(000000-	) Key, Shaft, Pump, Hyd	1
▲	23 373395	(000000-	) Bearing, Cup	2
▲	24 74180	(000000-	) Plate, Valve, Pump, Hyd	1
▲	25 13907	(000000-	) Fitting, Plug, O-Ring	1
▲	26 373413	(000000-	) Actuator, Valve, Bypass	1
▲	27 373402	(000000-	) Kit, Shim	1
▲	28 373429	(000000-	) Instr, Repair, Pump	1



## SECTION 5

Contents	Page
Fig. 1 - Crankcase Group .....	5-2
Fig. 2 - Oil Pan Group .....	5-4
Fig. 3 - Cylinder Head Group .....	5-5
Fig. 4 - Gear Case Group .....	5-6
Fig. 5 - Water Pump Group .....	5-8
Fig. 6 - Main Bearing Case Group .....	5-9
Fig. 7 - Head Cover Group (Wxxxxx-3xxxxxx) .....	5-10
Fig. 8 - Head Cover Group (4xxxxx- )	5-11
Fig. 9 - Manifold Group .....	5-12
Fig. 10 - Valve, Rocker Arm Group .....	5-13
Fig. 11 - Camshaft Group .....	5-14
Fig. 12 - Piston and Crankshaft Group ....	5-16
Fig. 13 - Flywheel Group .....	5-18
Fig. 14 - Starter Breakdown, 74405 .....	5-20
Fig. 15 - Nozzle Holder and Glow Plug Group .....	5-22
Fig. 16 - Injection Pump Group .....	5-24
Fig. 17 - Injection Pump Breakdown .....	5-26
Fig. 18 - Fuel Camshaft Group .....	5-28
Fig. 19 - Idling Group .....	5-29
Fig. 20 - Speed Control Plate Group .....	5-30
Fig. 21 - Governor Group .....	5-31
Fig. 22 - Water Flange Group .....	5-32

Fig. 1 - Crankcase Group



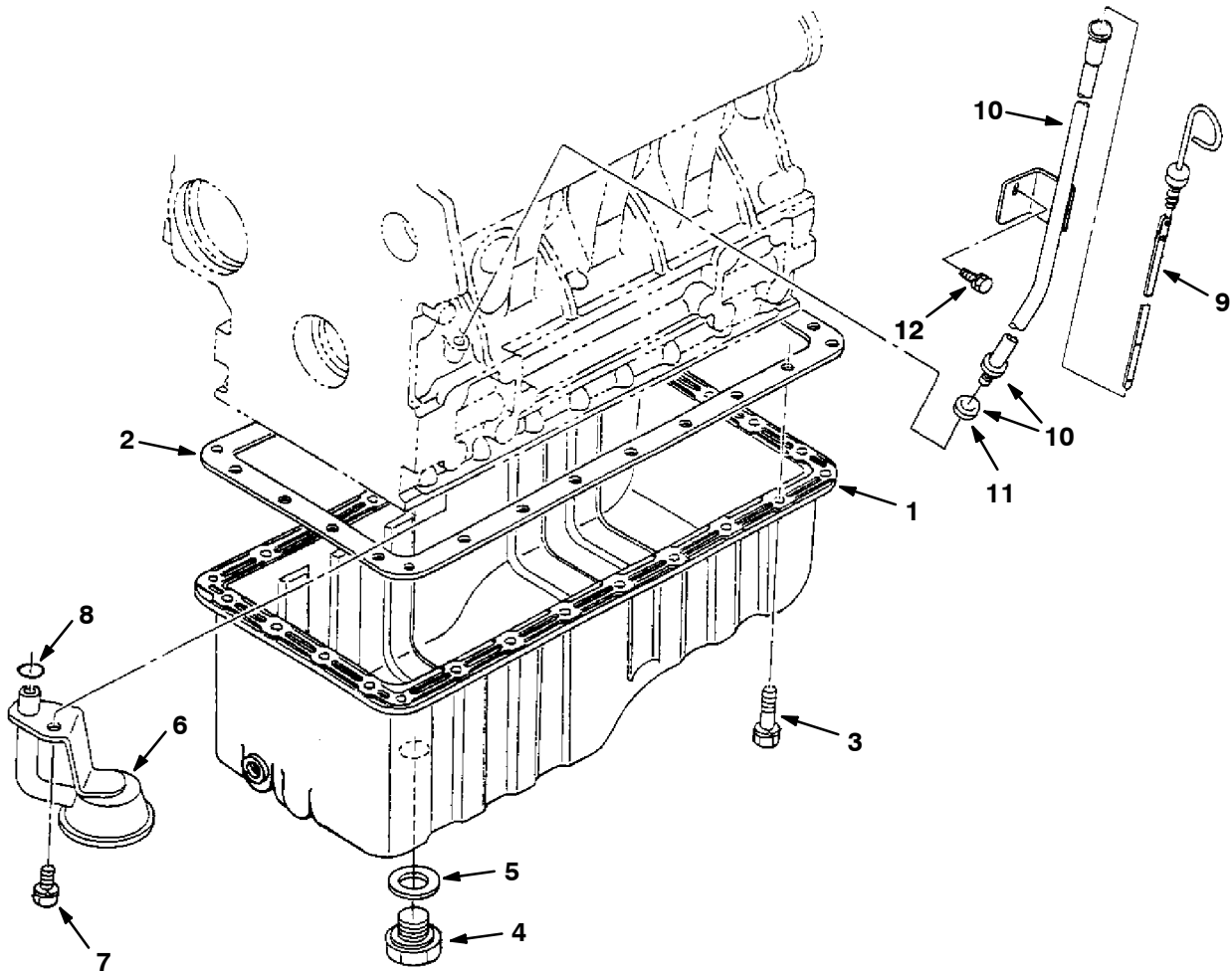
**Fig. 1 - Crankcase Group**

Ref.	Part No.		Description	Qty.
	1	84646	① Crankcase	1
▽	1	372920	② Crankcase, Compl	1
▲	2	70998	Cap, Sealing	6
▲	3	39087	Cap, Sealing	1
▲	4	39088	Plug	4
▲	5	84647	Plug	1
▲	6	71985	Plug	3
▲	7	39051	Plug	2
▲	8	361436	Plug, Expansion	3
▲	9	71986	Plug, Expansion	1
▲	10	71987	Pin, Straight	2
▲	11	71988	Pin, Straight	2
▲	12	71989	Pin, Straight	2
▲	13	71990	Pin, Pipe	2
▲	14	71991	Pin, Pipe	1
▲	15	71992	Plug	1
▲	16	39105	Pin, Start Spring	1
▲	17	71993	Plug	1
▲	18	39062	Plug	1
▲	19	10895	Gasket	1
▲	20	70887	Bush, Governor Gear	1
	21	39063	O-Ring	1
	22	70888	Assembly Cock, Drain	1

① Kubota Serial number (Wxxxxx-3xxxxxx)

② Kubota Serial number number (4xxxxx- )

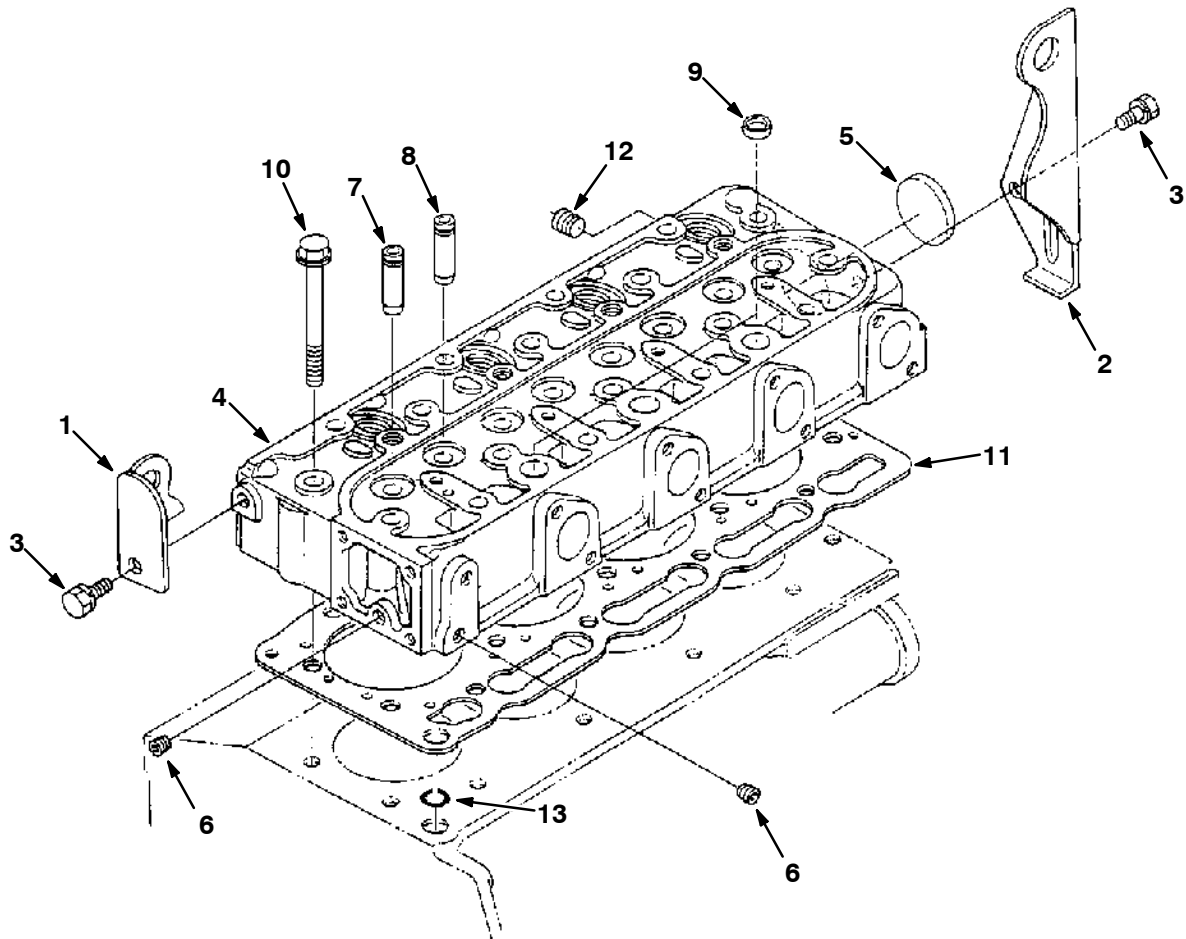
**Fig. 2 - Oil Pan Group**



07409 - 7400, 6600L, D

Ref.	Part No.	Description	Qty.
1	71994	Pan, Oil	1
2	70889	Gasket, Pan, Oil	1
3	71995	Screw, Hex [Ku]	26
4	70890	Plug	1
5	70891	Gasket, Plug, Drain [Ku]	1
9006001 6	<del>70892</del>	Element, Fitr, Oil, Eng, Spin-on[Ku]	1
7	39094	Screw, Hex [Ku]	1
8	41792	Seal Org [Ku]	1
9	70893	Dipstick [Ku]	1
▽ 10	361428	Dipstick, Oil [Ku]	1
▲ 11	361366	Seal Org [Ku]	1
12	39073	Screw, Hex [Ku]	1
	66187	Gasket Set	1

**Fig. 3 - Cylinder Head Group**



07411 - 7400, 8200L, D

Ref.	Part No.	Description	Qty.
1	71996	Hook, Engine 1	1
2	71997	Hook, Engine 2	1
3	39073	Bolt	2
4	84631	① Head, Cyl, W/O Valve [Ku]	1
▽ 4	372921	② Head, Cyl [Ku]	1
▲ 5	51331	Cap, Sealing	1
▲ 6	39088	Plug	2
▲ 7	70895	Guide, Inlet Valve	4
▲ 8	70896	Guide, Exhaust Valve	4
▲ 9	71999	Cap, Sealing	3
10	70897	Bolt, Cylinder Head	18
11	70899	Gasket, Cyclinder Head	1
	66194	Gasket Set, Upper	1
12	72010	Plug	1
13	39063	O-Ring	1

① Kubota Serial number (Wxxxxx-3xxxxxx)

② Kubota Serial number number (4xxxxx- )

Fig. 4 - Gear Case Group

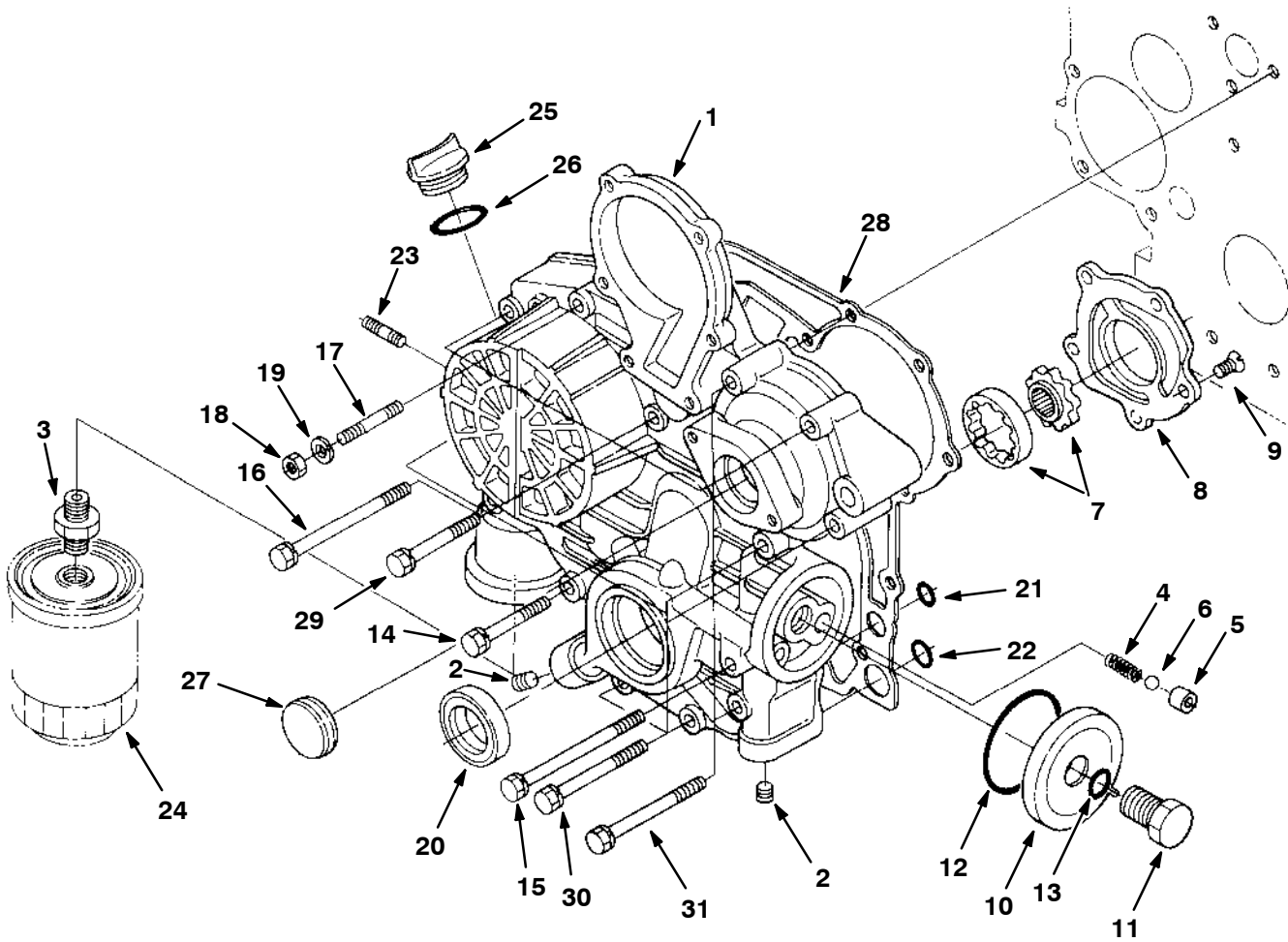
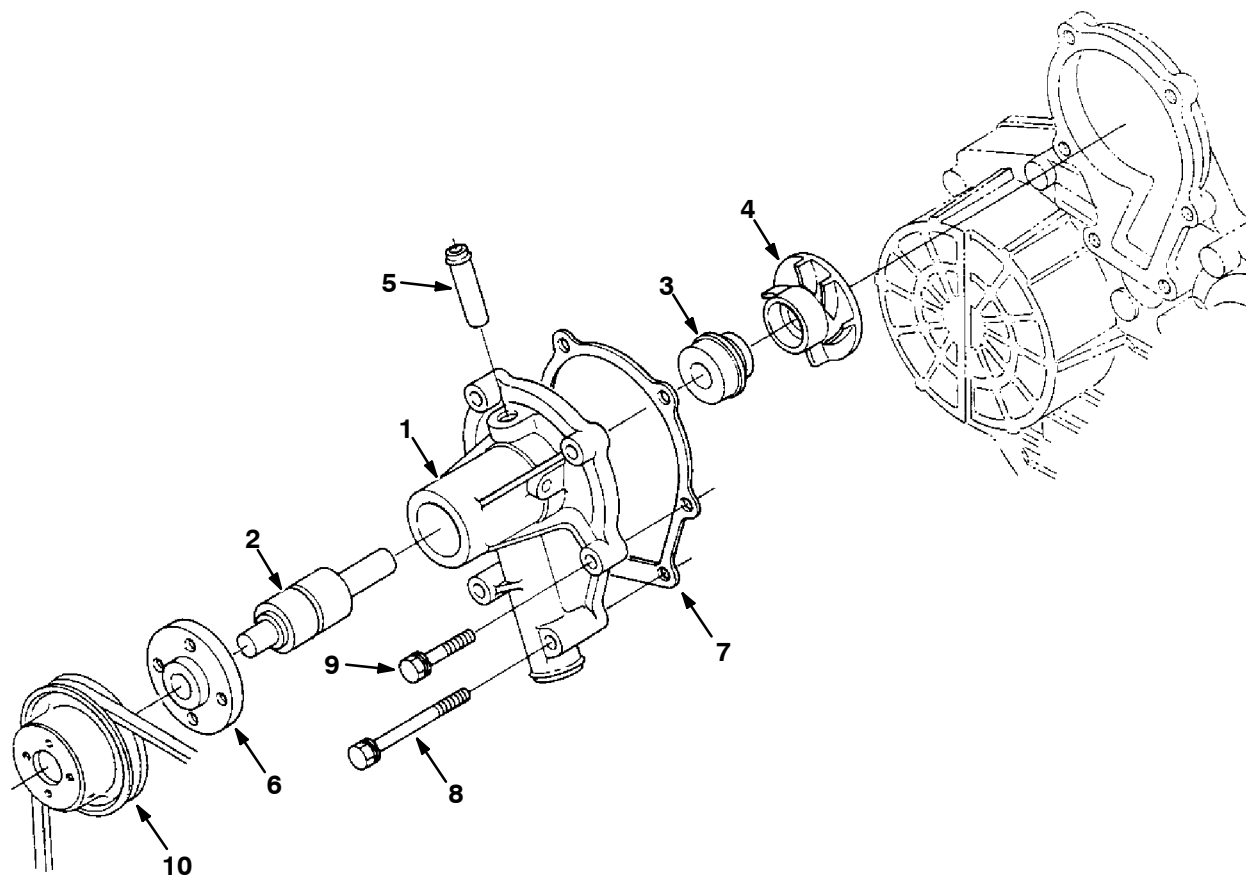




Fig. 4 - Gear Case Group

	Ref.	Part No.	Description	Qty.
▽	1	72011	Comp. Case, Gear	1
▲	2	72012	Plug	4
▲	3	12916	Joint, Pipe	1
▲	4	70900	Spring	1
▲	5	70901	Seat, Valve	1
▲	6	70902	Ball	1
▲	7	70903	Assembly Rotor, Oil Pump	1
▲	8	70904	Cover, Oil Pump	1
▲	9	72013	Screw	5
▲	10	70905	Cover	1
▲	11	70906	Bolt	1
▲	12	70907	O-Ring	1
▲	13	39103	O-Ring	1
	14	72014	Bolt	1
	15	72015	Bolt	2
	16	72016	Bolt	1
	17	72017	Stud	1
	18	39121	Nut	1
	19	39065	Washer, Spring	1
	20	70909	Seal, Oil	1
	21	70910	O-Ring	2
	22	70911	O-Ring	2
	23	72018	Stud	2
	24	55849	Assembly Cartridge, Oil	1
	25	39161	Oil Filter, Plug	1
	26	70913	O-Ring	1
	27	70189	Cover	1
	28	70912	Gasket, Gear Case	1
	29	72993	Bolt	3
	30	72994	Bolt	4
	31	72995	Bolt	2

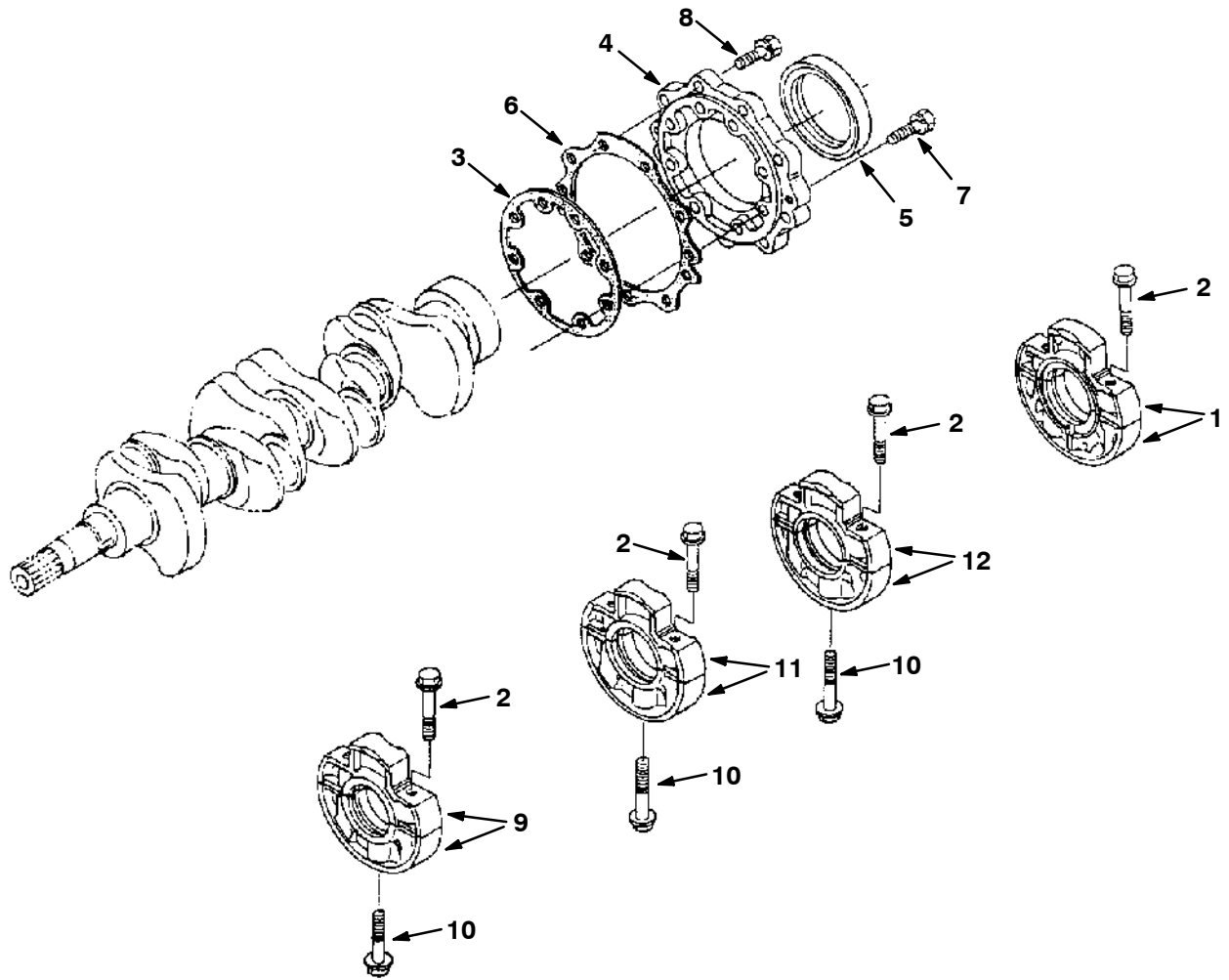
## Fig. 5 - Water Pump Group



07415 - 6200L, 7400, 8200L, D

Ref.	Part No.	Description	Qty.
▽	1 66205	Assembly Pump, Water	1
▲	2 70915	Bearing, Ball	1
▲	3 70916	Assembly Seal, Mechanical	1
▲	4 70917	Impeller, Water Pump	1
▲	5 361440	Fitting, Pipe, Water [Ku]	1
▲	6 70919	Flange, Pump, Water [Ku]	1
▲	7 70920	Gasket, Pump, Water [Ku]	1
	8 72997	Bolt	2
	9 72996	Bolt	4
	10 55847	Pully, Fan	1

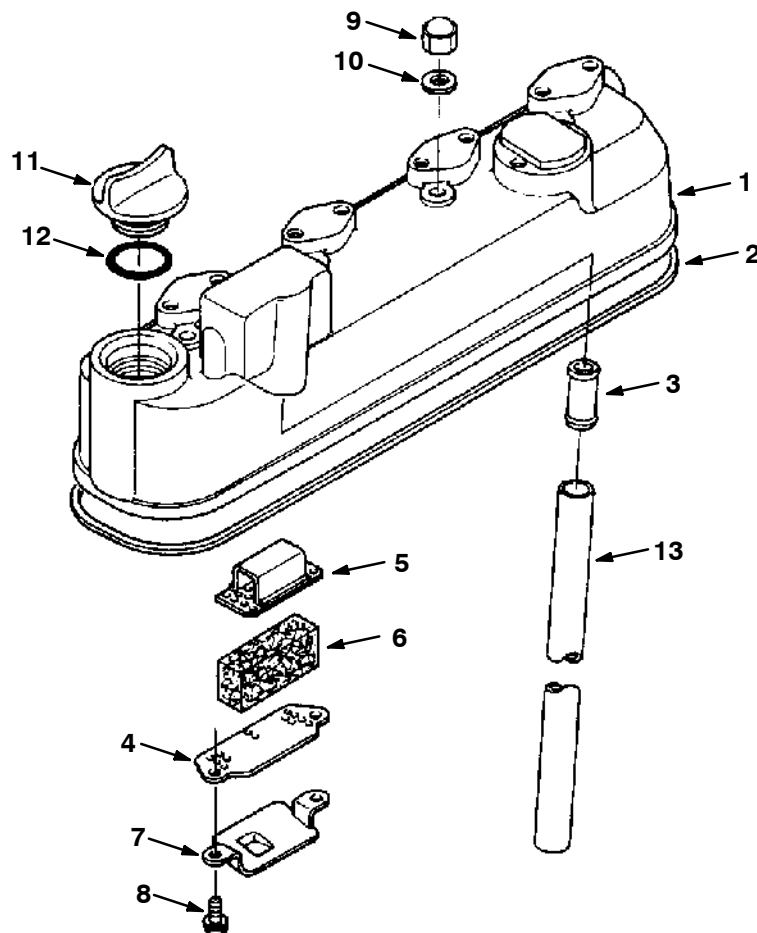
Fig. 6 - Main Bearing Case Group



07417 - 6200L, 7400, 8200L, D

Ref.	Part No.	Description	Qty.
1	70921	Assembly Case, Main Bearing	1
2	72998	Bolt, Bearing Case 1	8
3	70922	Gasket, Bearing Case	1
4	70923	Cover, Bearing Case	1
5	70924	Seal, Oil	1
6	70925	Gasket, Bearing Case Cover	1
7	72999	Bolt	8
8	39119	Bolt	9
9	70926	Assembly Case, Main Bearing 1	1
10	73479	Bolt, Bearing Case 2	3
11	70927	Assembly Case, Main Bearing 2	1
12	70928	Assembly Case, Main Bearing 3	1

Fig. 7 - Head Cover Group (Wxxxxx-3xxxxxx)



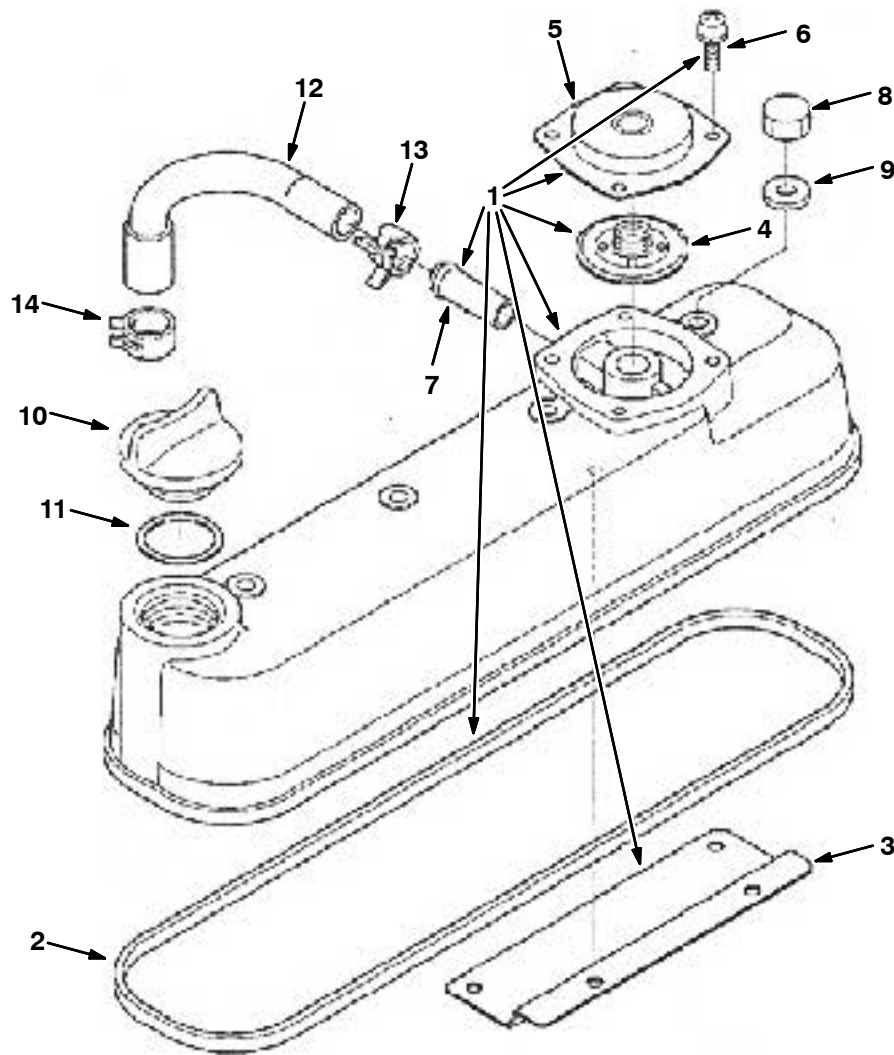
07419 - 6200L, 7400, 8200L, D

Ref.	Part No.	Description	Qty.
▽	1 73480	① Cover, Cylinder Head	1
▲	2 70929	① Gasket, Head Cover	1
▲	3 73481	① Joint, Breather Pipe	1
▲	4 70930	① Plate, Element 1	1
▲	5 70931	① Plate, Element 2	1
▲	6 70932	① Element, Breather	1
▲	7 70933	① Oil Shield, Breather	1
▲	8 73482	① Screw, With Washer	2
	9 73483	① Nut, Cap	4
	10 73484	① Gasket	4
	11 361374	① Plug, Oil Filler	1
	12 39162	① O-Ring	1
	13 73485	① Pipe, Breather	1

① Kubota Serial number (Wxxxxx-3xxxxxx)

② Kubota Serial number number (4xxxxx- )

**Fig. 8 - Head Cover Group (4xxxxx- )**



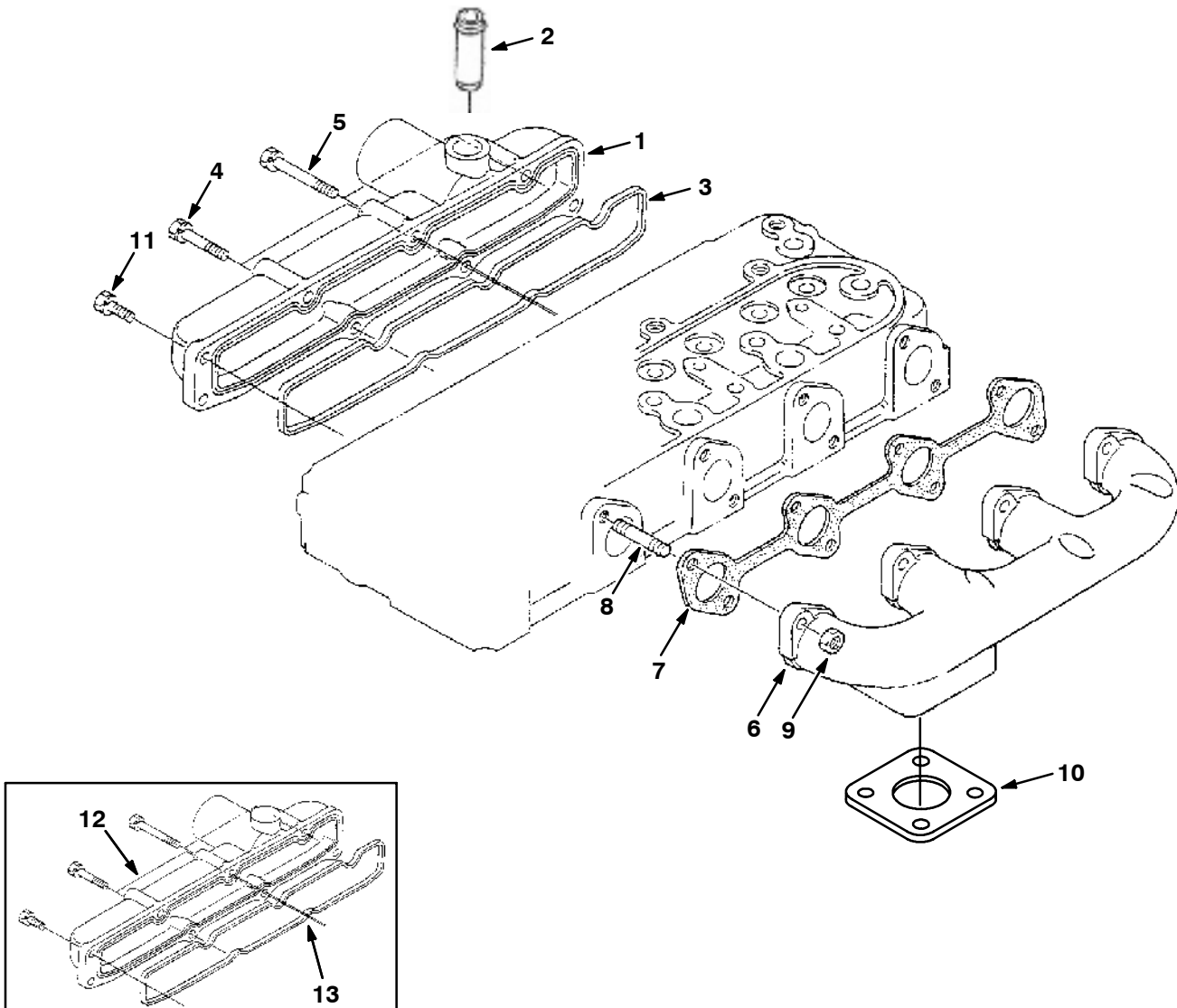
07419 - 7400, 6600L, 8200L, D

Ref.	Part No.	Description	Qty.
▽	1 372918	② Cover Assy, Head, Cyl	1
▲	2 70929	② Gasket, Cover, Head, Cyl [Ku]	1
▲	3 372912	② Shield, Breather	1
▲	4 372928	② Valve, Breather, Complt	1
▲	5 372927	② Cover, Breather	1
▲	6 372900	② Screw, Pan	4
▲	7 30125	② Pipe, Water	1
	8 73483	② Nut, Hex, Cap [Ku] 15952-92331	1
	9 73484	② Gasket, F/Bolt [Ku] 15951-96661	1
	10 361374	② Cap, Filler, Oil [Ku]	1
	11 39162	② Seal, Org [Ku] 04811-50300	1
	12 372913	② Tube, Breather	1
	13 372901	② Clamp, Hose	1
	14 372904	② Clamp, Hose	1

① Kubota Serial number (Wxxxxx-3xxxxxx)

② Kubota Serial number number (4xxxxx- )

Fig. 9 - Manifold Group



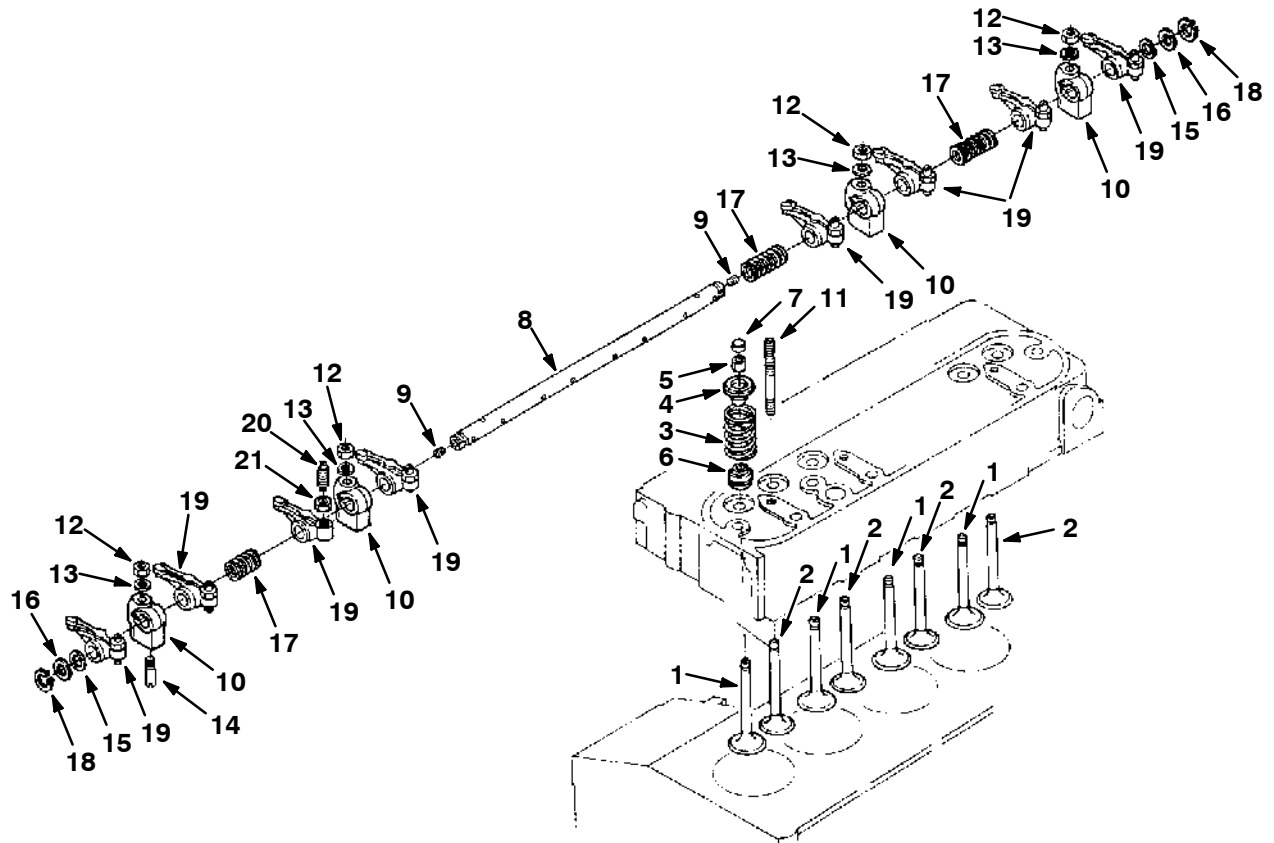
07421 - 7400, 6600L, 8200L, D

	Ref.	Part No.	Description	Qty.
▽	1	372905	② Manifold Assy, Inlet	1
▲	2	73481	② Pipe, Breather [Ku]	1
▲	3	70934	② Gasket, In-manifold	1
	4	72996	Bolt	2
	5	72994	Bolt	3
	6	73487	Manifold, Exhaust, Front, Down	1
	7	70935	Gasket, Ex-manifold	1
	8	73488	Stud	8
	9	361427	Nut	8
	10	51332	Gasket Ku	1
	11	40409	Bolt	3
▽	12	73486	① Manifold, Inlet	1
▲	13	70934	① Gasket, Manifold, Intake [Ku]	1

① Kubota Serial number (Wxxxxx-3xxxxxx)

② Kubota Serial number number (4xxxxx- )

**Fig. 10 - Valve, Rocker Arm Group**



07423 - 7400, 6600L, 8200L, D

Ref.	Part No.	Description	Qty.	
1	70936	Valve, Inlet	4	
2	70937	Valve, Exhaust	4	
3	73491	Spring, Valve	8	
4	73492	Retainer, Valve Spring	8	
5	73493	Collet, Valve Spring	8	
6	73494	Seal, Valve Stem	8	
7	361392	Cap, Valve	8	
▽	8	73495	Assembly Shaft, R-arm	1
▲	9	73496	Screw, Set	2
10	73497	Bracket, Rocker Arm	4	
11	73498	Stud	4	
12	73499	Nut	4	
13	73500	Washer, Plain	4	
14	73501	Screw, Set	1	
15	73502	Washer 1	2	
16	73503	Washer 2	2	
17	73504	Spring, Rocker Arm	3	
18	73505	Cir-clip, External	2	
▽	19	73506	Assembly Rocker Arm	8
▲	20	73507	Screw, Adjusting	8
▲	21	73508	Nut	8

Fig. 11 - Camshaft Group

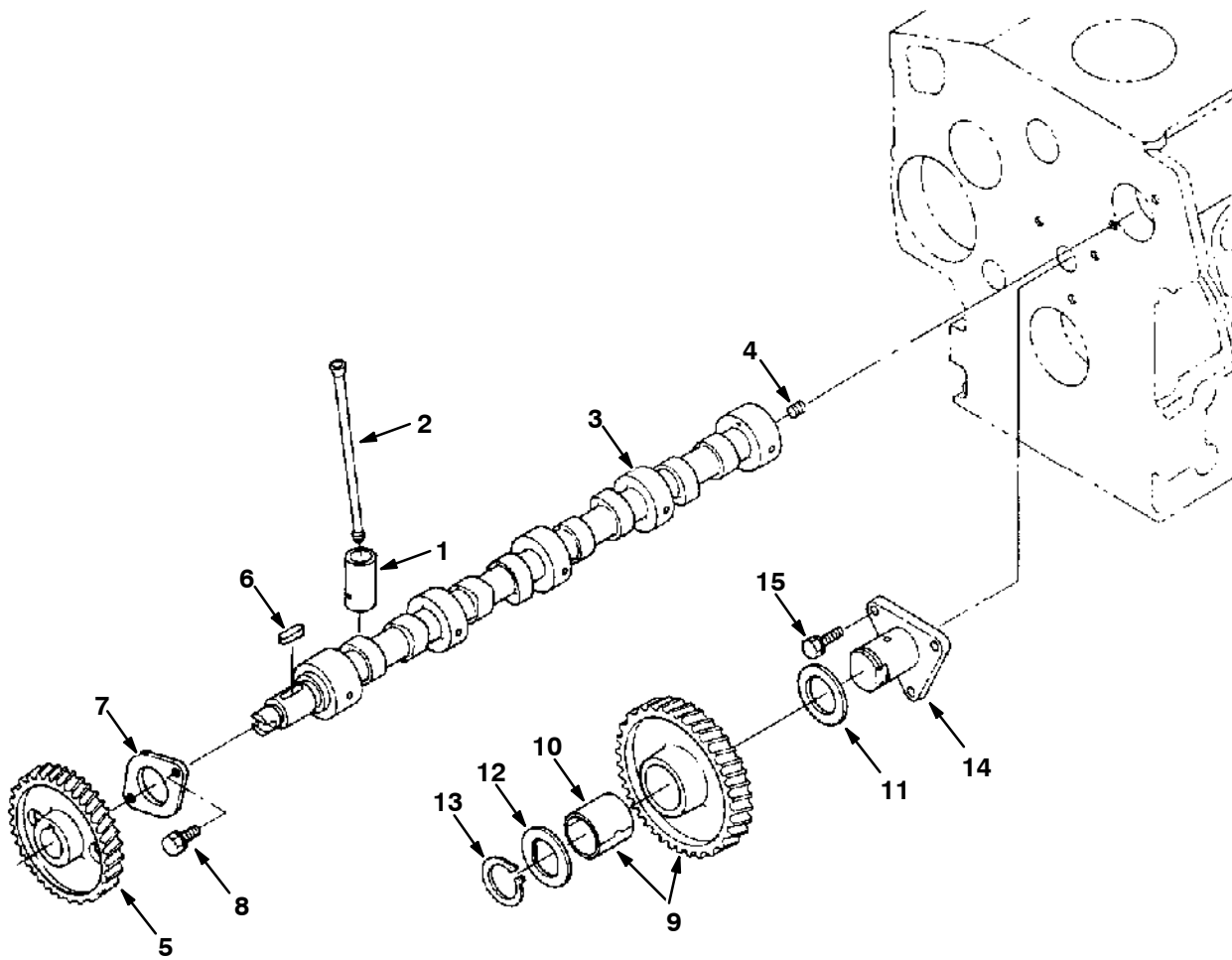




Fig. 11 - Camshaft Group

	Ref.	Part No.	Description	Qty.
	1	12895	Tappet	8
	2	73509	Push Rod	8
▽	3	73510	Assembly Camshaft	1
▲	4	39197	Screw, Set	1
▲	5	73511	Gear, Camshaft	1
▲	6	73512	Key, Feather	1
▲	7	73513	Stopper, Camshaft	1
▲	8	39160	Bolt	2
▽	9	73514	Comp Idle Gear 1	1
▲	10	73515	Bush, Idle Gear	1
	11	73516	Collar, Idle Gear 1	1
	12	73517	Collar, Idle Gear 2	1
	13	73518	Cir-clip, Idle Gear	1
	14	73519	Shaft, Idle Gear 1	1
	15	41973	Bolt	3

Fig. 12 - Piston and Crankshaft Group

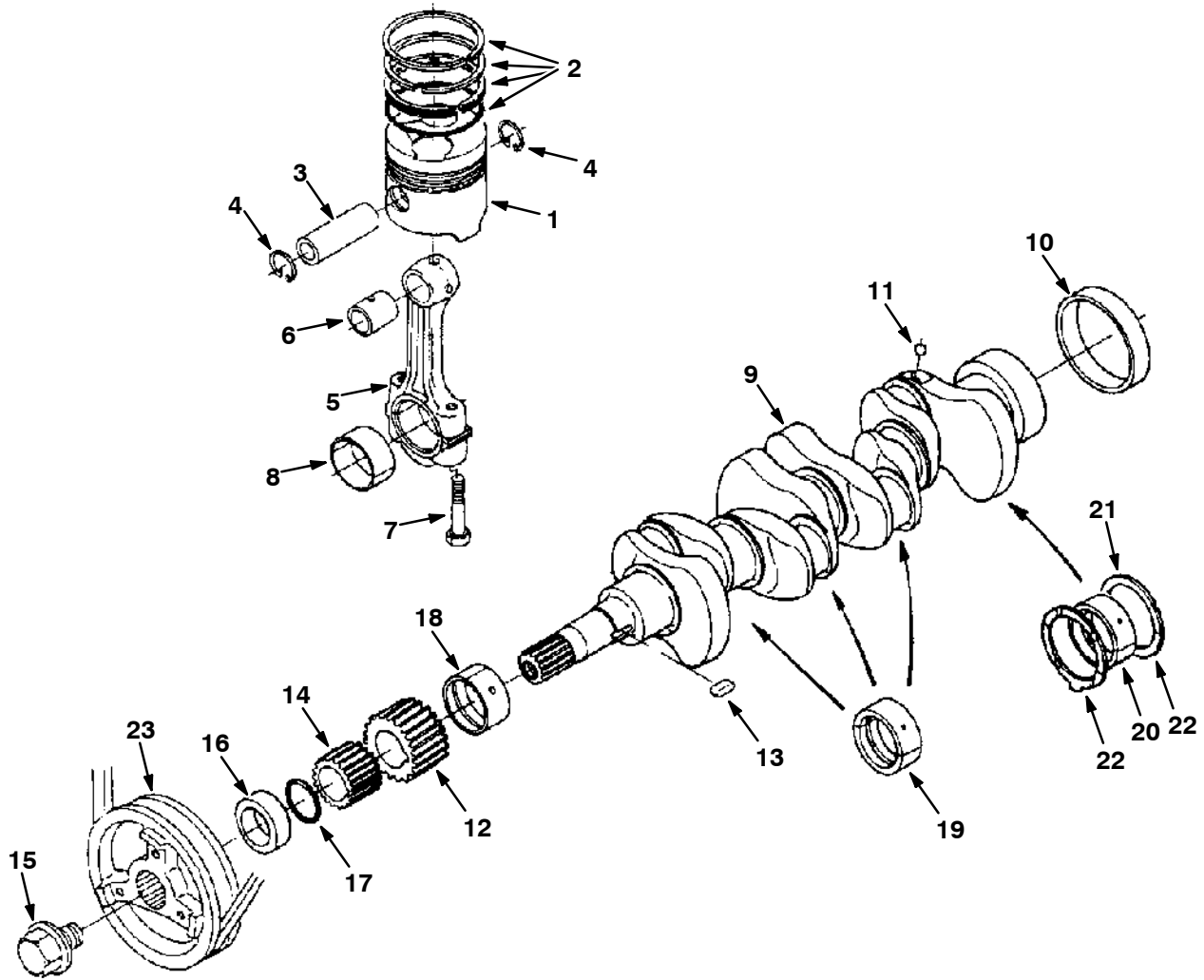
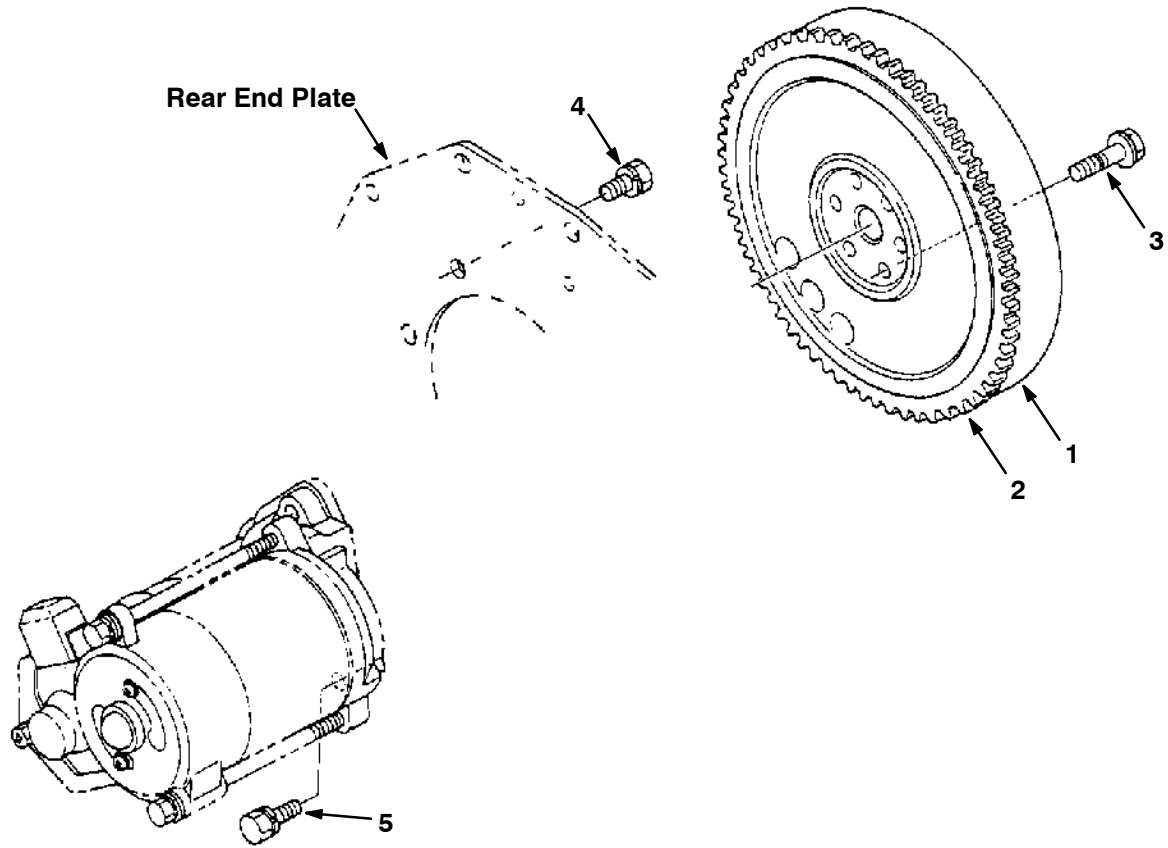


Fig. 12 - Piston and Crankshaft Group

Ref.	Part No.	Description	Qty.	
1	73520	Piston	4	
1	73521	Piston 05	4	
2	70938	Assembly Piston Ring	4	
2	70939	Assembly Piston Ring 05	4	
3	73522	Pin, Piston	4	
4	73523	Cir-clip, Piston Pin	8	
▽	5	73524	Assembly Connecting Rod	4
▲	6	70940	Bush, Piston Pin	4
▲	7	73525	Bolt, Connecting Rod	8
▲	8	70941	Metal, Crankpin	4
▲	8	66204	Metal, Crankpin 02	4
▲	8	66207	Metal, Crankpin 04	4
▽	9	73526	Comp. Crankshaft	1
▲	10	70942	Sleeve, Crankshaft	1
▲	11	73527	Ball	4
▲	12	73528	Gear, Crankshaft	1
▲	13	73529	Key	1
▲	14	73530	Gear, Oil Pump Drive	1
	15	73532	Bolt	1
	16	70943	Collar, Crankshaft	1
	17	70944	O-Ring	1
	18	70945	Metal, Crankshaft 1	1
	18	70946	Metal, Crankshaft1 02	1
	18	70947	Metal, Crankshaft1 04	1
	19	70948	Metal, Crankshaft 2	3
	19	70949	Metal, Crankshaft2 02	3
	19	70950	Metal, Crankshaft2 04	3
	20	70951	Metal, Crankshaft 3	1
	20	70952	Metal, Crankshaft3 02	1
	20	70953	Metal, Crankshaft3 04	1
	21	10844	Metal, Side 1	2
	21	70954	Metal, Side 1 02	2
	21	70955	Metal, Side 1 04	2
	22	10845	Metal, Side 2	2
	22	30121	Metal, Side 2 02	2
	22	30122	Metal, Side 2 04	2
	23	73531	Pulley, Fan Drive, 112mm	1

**Fig. 13 - Flywheel Group**



**Fig. 13 - Flywheel Group**

	<b>Ref.</b>	<b>Part No.</b>	<b>Description</b>	<b>Qty.</b>
▽	1	70956	Comp. Flywheel	1
▲	2	70957	Gear, Ring	1
	3	73533	Bolt, Flywheel	6
	4	73534	Bolt	8
	5	73535	Bolt	2

Fig. 14 - Starter Breakdown, 74405

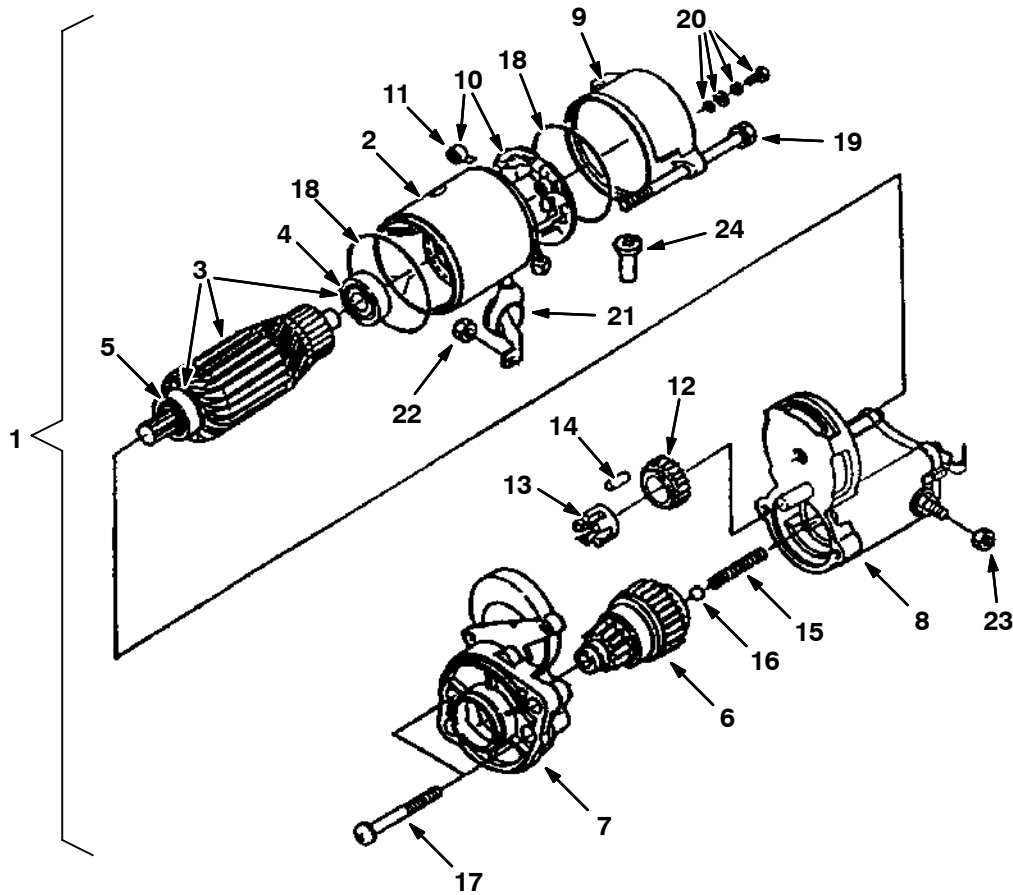
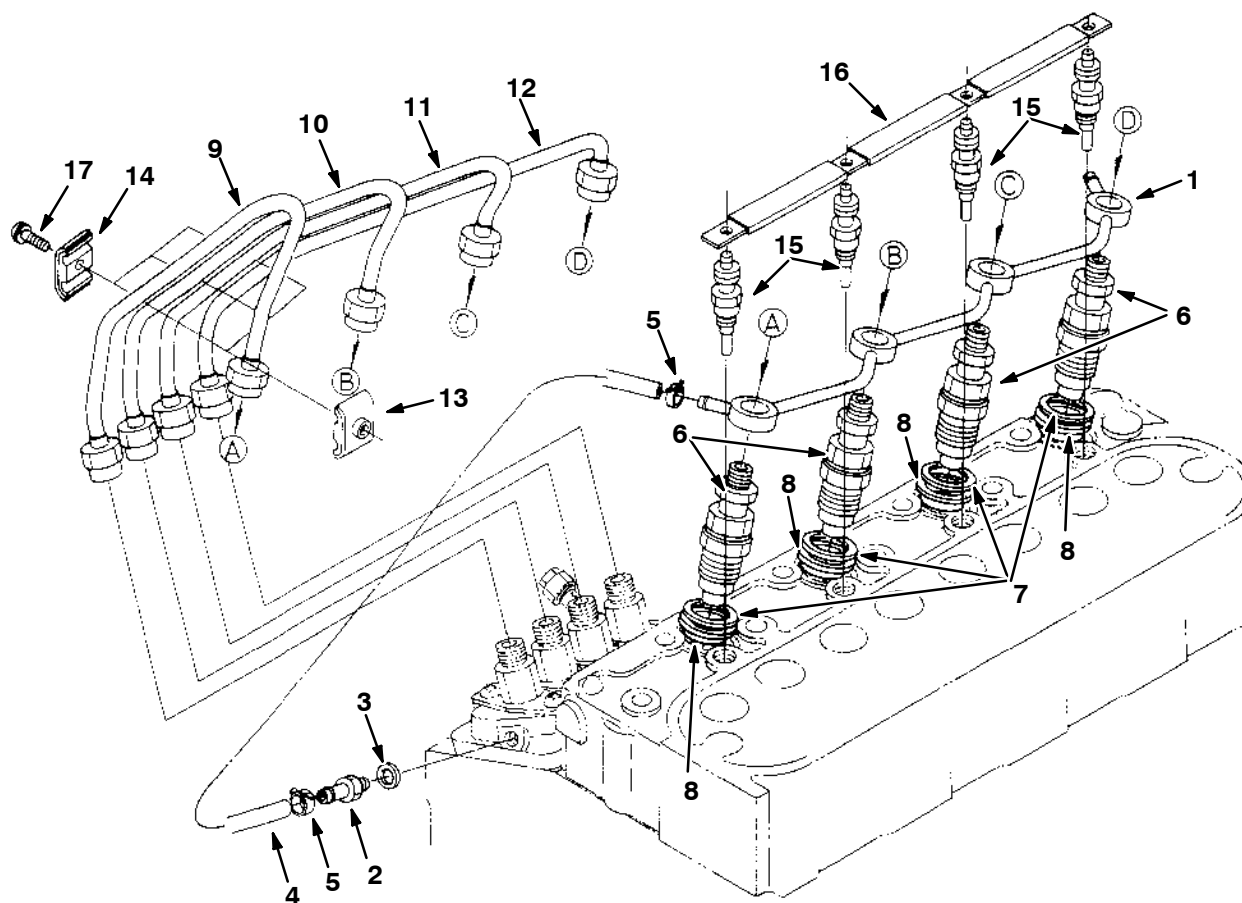


Fig. 14 - Starter Breakdown, 74405

	Ref.	Part No.	Description	Qty.
▽	1	74405	Assy Starter	1
▲	2	70196	Assy Yoke	1
▲▽	3	70197	Assy Armature	1
▲▲	4	70198	Bearing	1
▲▲	5	70199	Bearing	1
▲	6	70200	Clutch, Over Running	1
▲	7	70201	Frame, Drive End	1
▲	8	70202	Assy Switch, Magneto	1
▲	9	70203	Frame, End	1
▲▽	10	70204	Assy Holder, Brush	1
▲▲	11	70205	Spring, Brush	4
▲	12	70206	Gear	1
▲	13	70207	Retainer	1
▲	14	73545	Roller	5
▲	15	70208	Spring	1
▲	16	73547	Ball	1
▲	17	70209	Bolt	2
▲	18	20433	O-Ring	2
▲	19	70210	Bolt	2
▲	20	20432	Assy Bolt	2
▲	21	70211	Cover	1
▲	22	73551	Nut, Hexagon	1
▲	23	70212	Nut, Hexagon	1
▲	24	70213	Pipe, Drain	1

**Fig. 15 - Nozzle Holder and Glow Plug Group**





**Fig. 15 - Nozzle Holder and Glow Plug Group**

Ref.	Part No.	Description	Qty.
	1 73554	Pipe, Over Flow	1
	2 73555	Screw	1
	3 40166	Gasket	1
▽	4 361373	Assembly Pipe, Over Flow	1
▲	5 361368	Band, Pipe	2
	6 393673	① Holder Assembly, Nozzle	4
	6 393674	② Holder Assembly, Nozzle	4
▽	6 372917	③ Housing Assy, Nozzle	4
▲	7 70964	Gasket	1
▲	8 20719	Seal, Heat	1
	9 70965	Pipe, Injection 1	1
	10 70966	Pipe, Injection 2	1
	11 70967	Pipe, Injection 3	1
	12 70968	Pipe, Injection 4	1
	13 30131	Clamp, Pipe 1	3
	14 30132	Clamp, Pipe 2	3
	15 84638	Plug, Glow	4
	16 73560	Cord, Glow Plug	1
	17 39508	Screw, With Washer	3

① Kubota Serial Number (000000- 489289)

② Kubota Serial Number (489290-3xxxxxx)

③ Kubota Serial Number (4xxxxx- )

Fig. 16 - Injection Pump Group

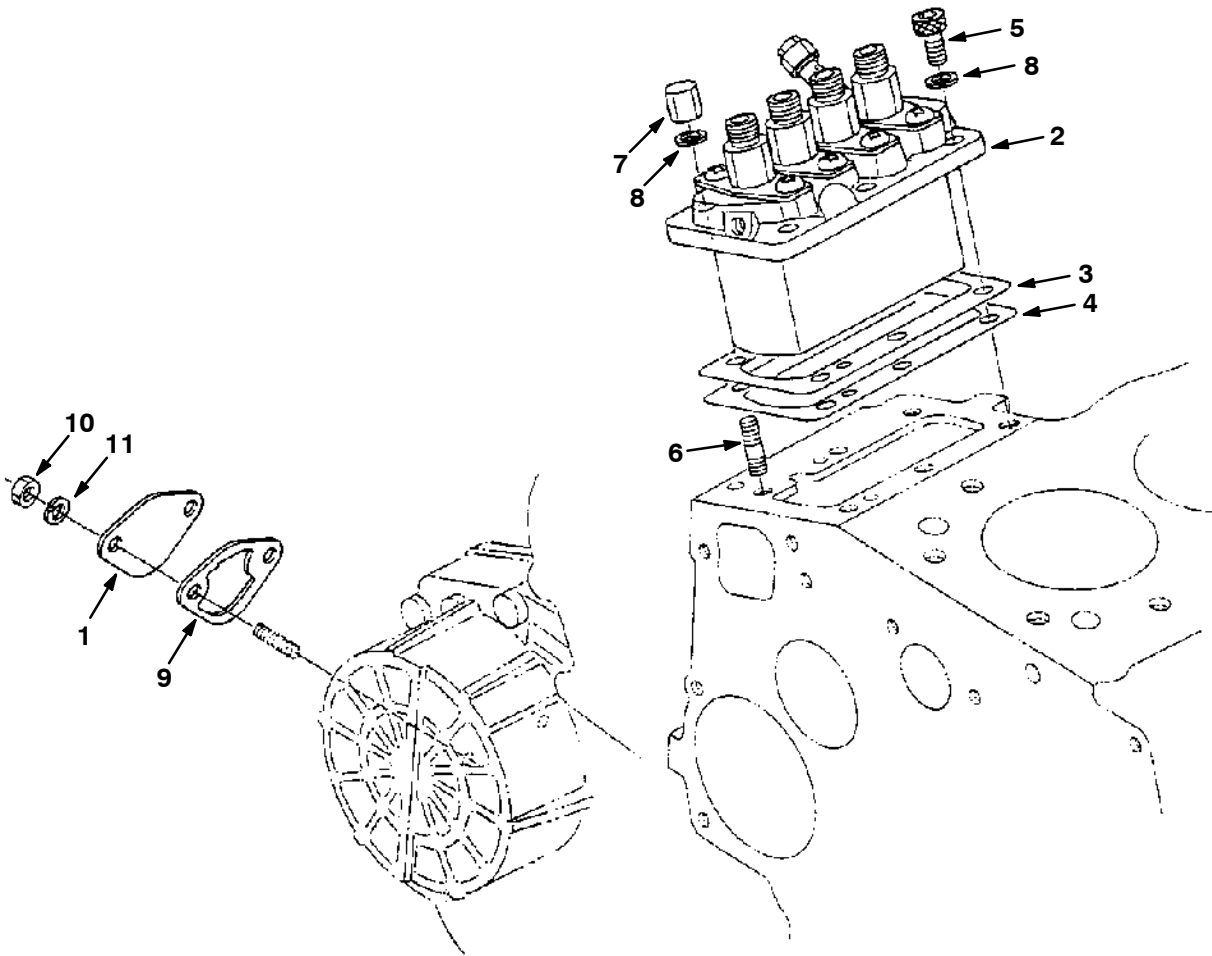


Fig. 16 - Injection Pump Group

Ref.	Part No.	Description	Qty.
1	73565	Fuel Pump Cover Plate	1
2	84635	Assembly Pump, Injection (See Injection Pump Breakdown)	1
3	70972	Shim, Injection Pump 0.20 mm	1
4	70973	Shim, Injection Pump 0.25 mm	2
4	84644	Shim, Injection Pump 0.30 mm	1
5	73561	Bolt	3
6	73562	Stud	3
7	73563	Nut, Cap	3
8	39065	Washer, Spring	6
9	70974	Gasket, Fuel Pump	1
10	39121	Nut	2
11	39065	Washer, Spring	2

Fig. 17 - Injection Pump Breakdown

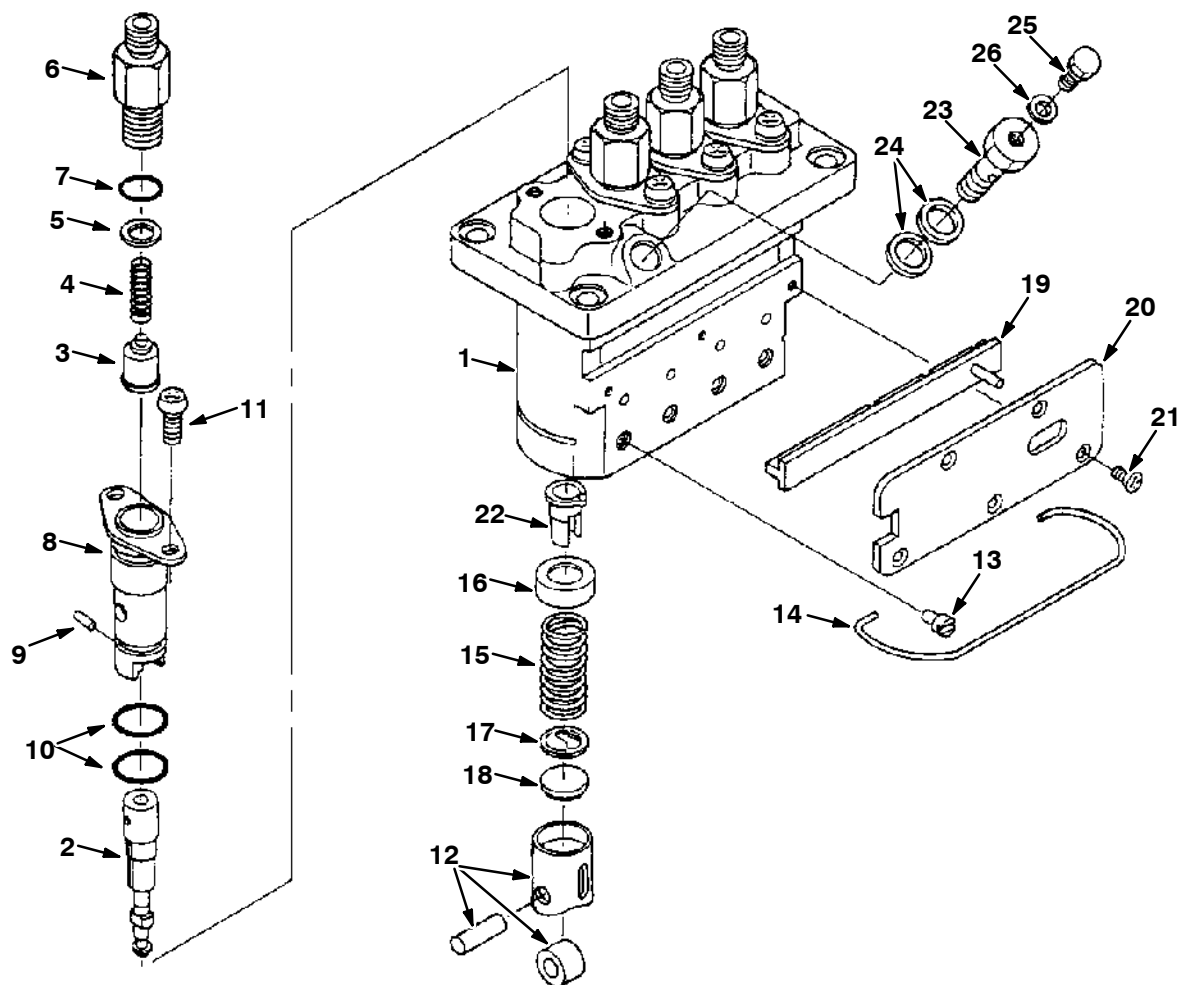
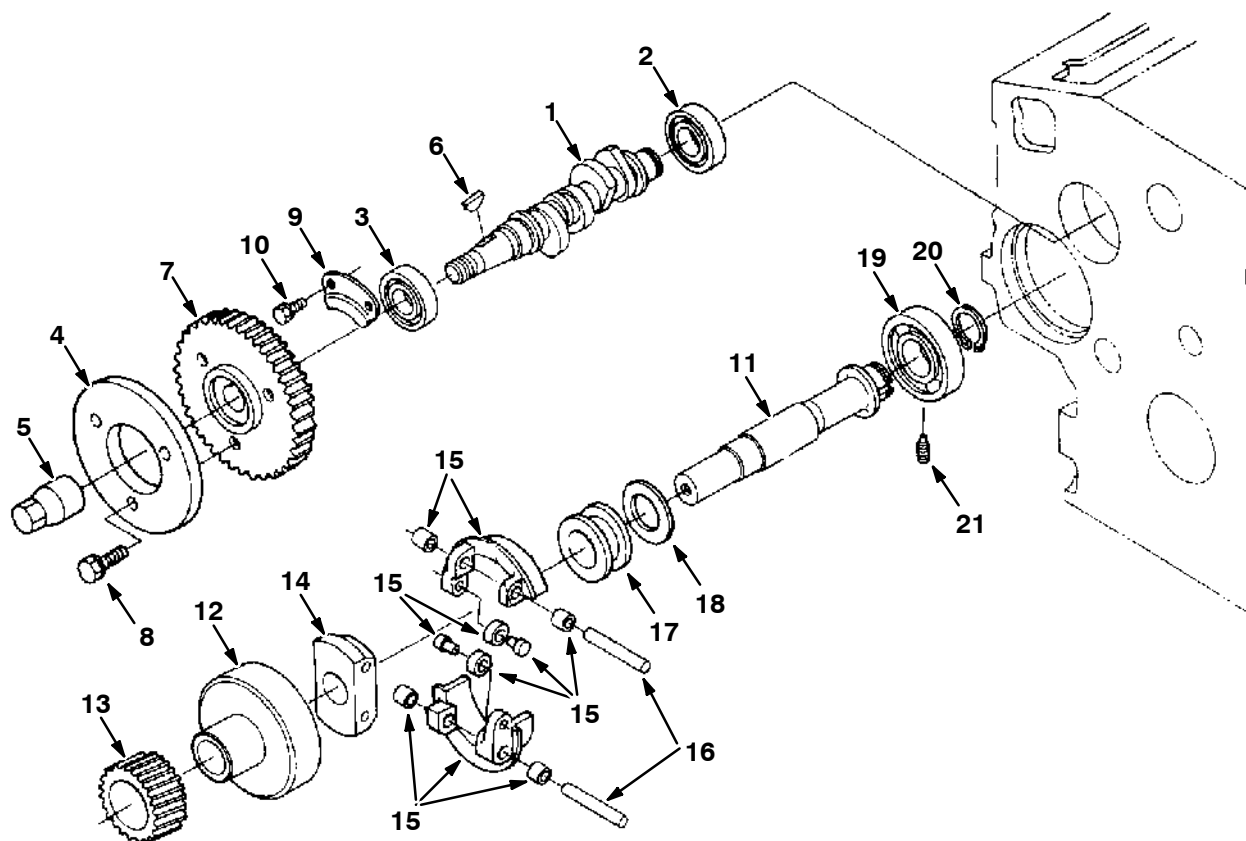


Fig. 17 - Injection Pump Breakdown

	Ref.	Part No.	Description	Qty.
▽	1	84635	Assembly Pump, Injection	1
▲	2	84648	Plunger, Pump	4
▲	3	73567	Valve, Delivery	4
▲	4	73568	Spring, Delivery Valve	4
▲	5	73569	Gasket, Delivery Valve	4
▲	6	73570	Holder, Delivery Valve	4
▲	7	73571	O-Ring	4
▲	8	73572	Flange, Sleeve	4
▲	9	73573	Pin, Joint	4
▲	10	73574	O-Ring	8
▲	11	73575	Screw	8
▲	12	73576	Assembly Tappet	4
▲	13	73577	Pin, Tappet Guide	4
▲	14	73578	Pin, Clamp	1
▲	15	73579	Spring, Plunger	4
▲	16	73580	Seat, Spring Upper	4
▲	17	73581	Seat, Spring Lower	4
▲	18	73582	Shim	1
▲	19	84649	Rack, Control	1
▲	20	84650	Plate	1
▲	21	73585	Screw	5
▲	22	73586	Sleeve, Control	4
▲	23	84651	Screw, Follow	1
▲	24	73588	Gasket	2
▲	25	73589	Screw	1
▲	26	73590	Gasket	1

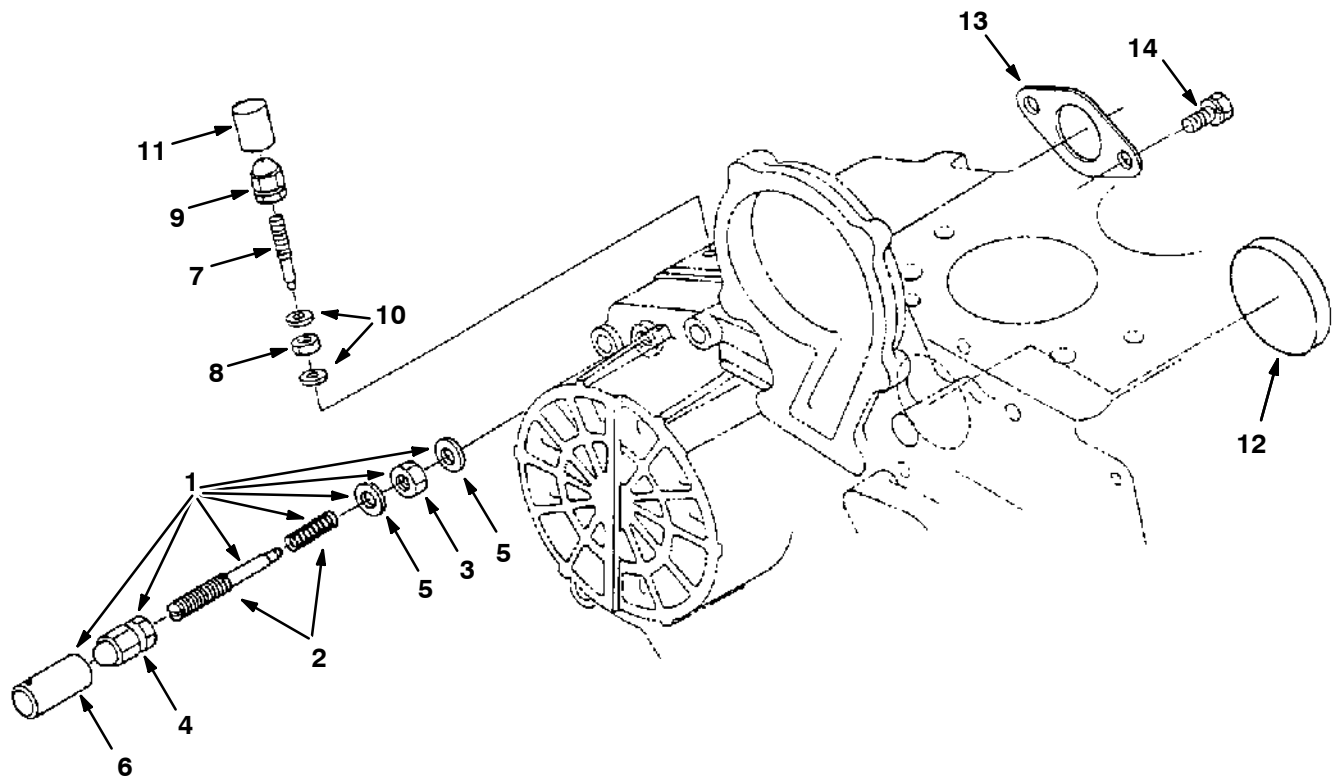
Fig. 18 - Fuel Camshaft Group



07441 - 7400, 6600L, 8200L, D

Ref.	Part No.	Description	Qty.	
1	84636	Camshaft, Fuel	1	
2	70975	Bearing, Ball	1	
3	70976	Bearing, Ball	1	
4	73592	Cam, Fuel	1	
5	73593	Nut, Cap	1	
6	73594	Key, Woodruff	1	
7	73595	Gear, Injection Pump	1	
8	40409	Bolt	3	
9	73596	Stopper	1	
10	71995	Bolt	2	
▽	11	73597	Assembly Shaft, Governor	1
▲	12	73598	Holder, Governor Gear	1
▲	13	73599	Gear, Governor	1
▲	14	73600	Holder,	1
▲	15	73601	Comp. Weight, Governor	2
▲	16	73602	Shaft, Governor Weight	2
▲	17	70977	Sleeve, Governor	1
▲	18	70978	Washer, Thrust	1
	19	70979	Bearing, Ball	1
	20	73603	Cir-clip, Governor Shaft	1
	21	73604	Screw, Set	1

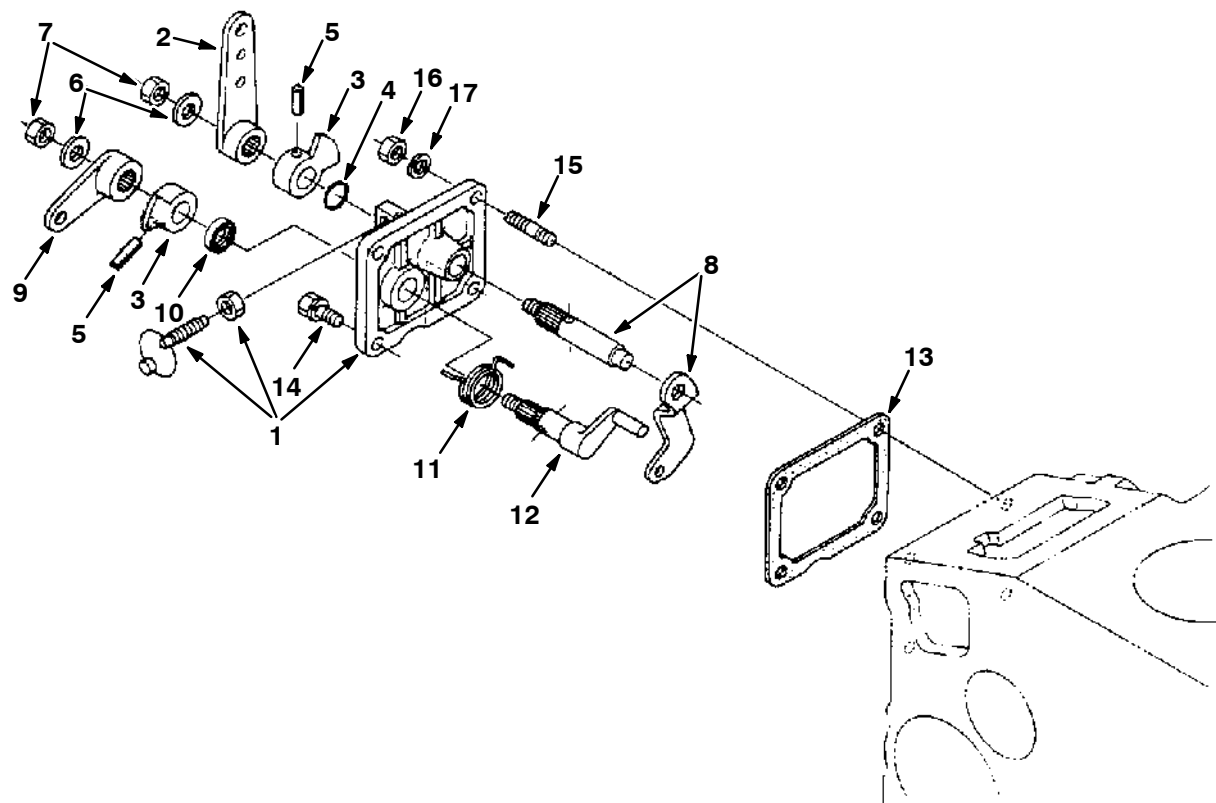
**Fig. 19 - Idling Group**



07443 - 7400, 6600L, D

Ref.	Part No.	Description	Qty.
▽	1 70980	Assembly Apparatus, Idle	1
▲	2 73605	Assembly Bolt, Adjusting	1
▲	3 73606	Nut	1
▲	4 73607	Nut, Cap	1
▲	5 40166	Gasket	2
▲	6 30136	Cap	1
	7 73610	Bolt, Adjusting	1
	8 73606	Nut	1
	9 73607	Nut, Cap	1
	10 40166	Gasket	2
	11 30136	Cap	1
	12 70188	Cover	1
	13 70165	Gasket, Thrtl Blk	1
	14 39160	Bolt	2

Fig. 20 - Speed Control Plate Group

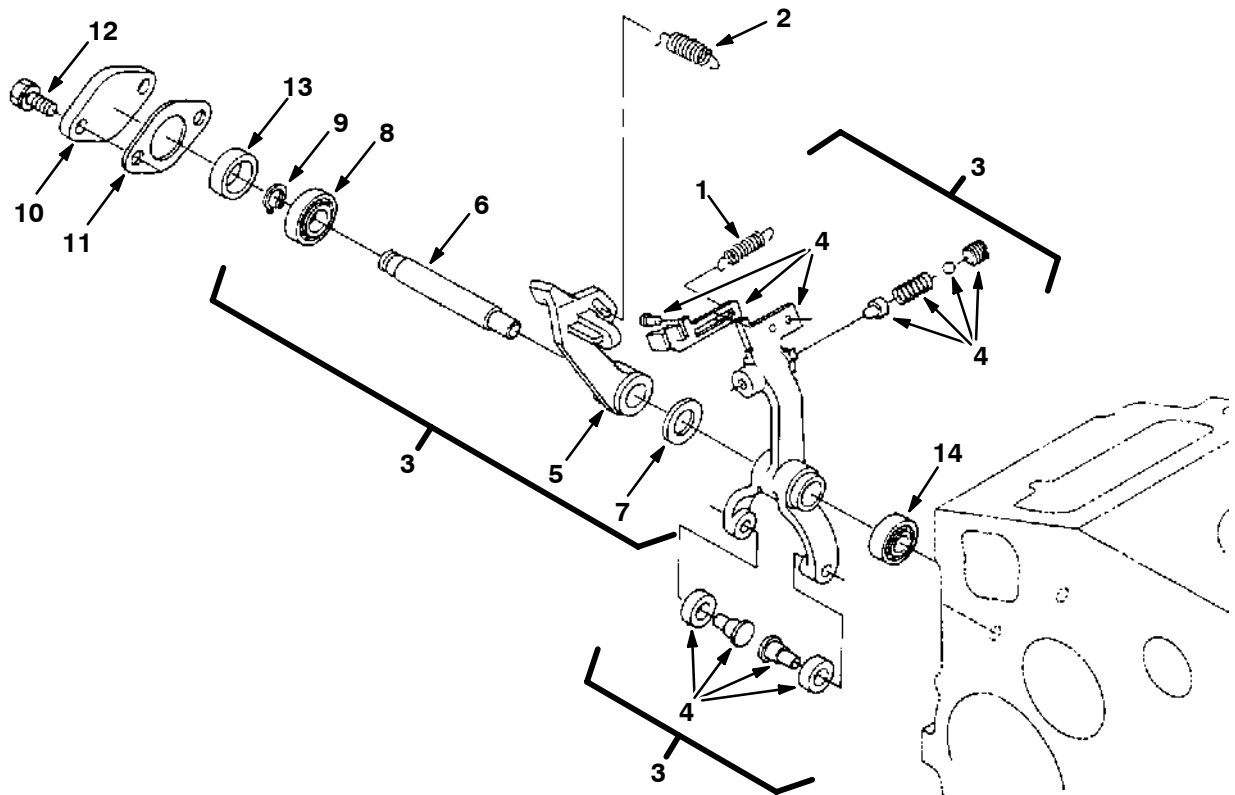


07445 - 7400, 6600L, 8200L, D

Ref.	Part No.	Description	Qty.	
▽	1	70982	Assembly Plate, Control	1
▲	2	73618	Lever, Speed Control	1
▲	3	73619	Lever, Speed Control	2
▲	4	73620	O-Ring	1
▲	5	40407	Pin, Spring	2
▲	6	73621	Washer, Plain	2
▲	7	73622	Nut	2
▲	8	73623	Comp. Lever, Governor	1
▲	9	73624	Lever, Engine Stop	1
▲	10	70983	Seal, Oil	1
▲	11	73625	Spring, Return	1
▲	12	73626	Shaft, Stop Lever	1
	13	70984	Gasket	1
	14	41973	Bolt	2
	15	72018	Stud	2
	16	39121	Nut	2
	17	39065	Washer, Spring	2



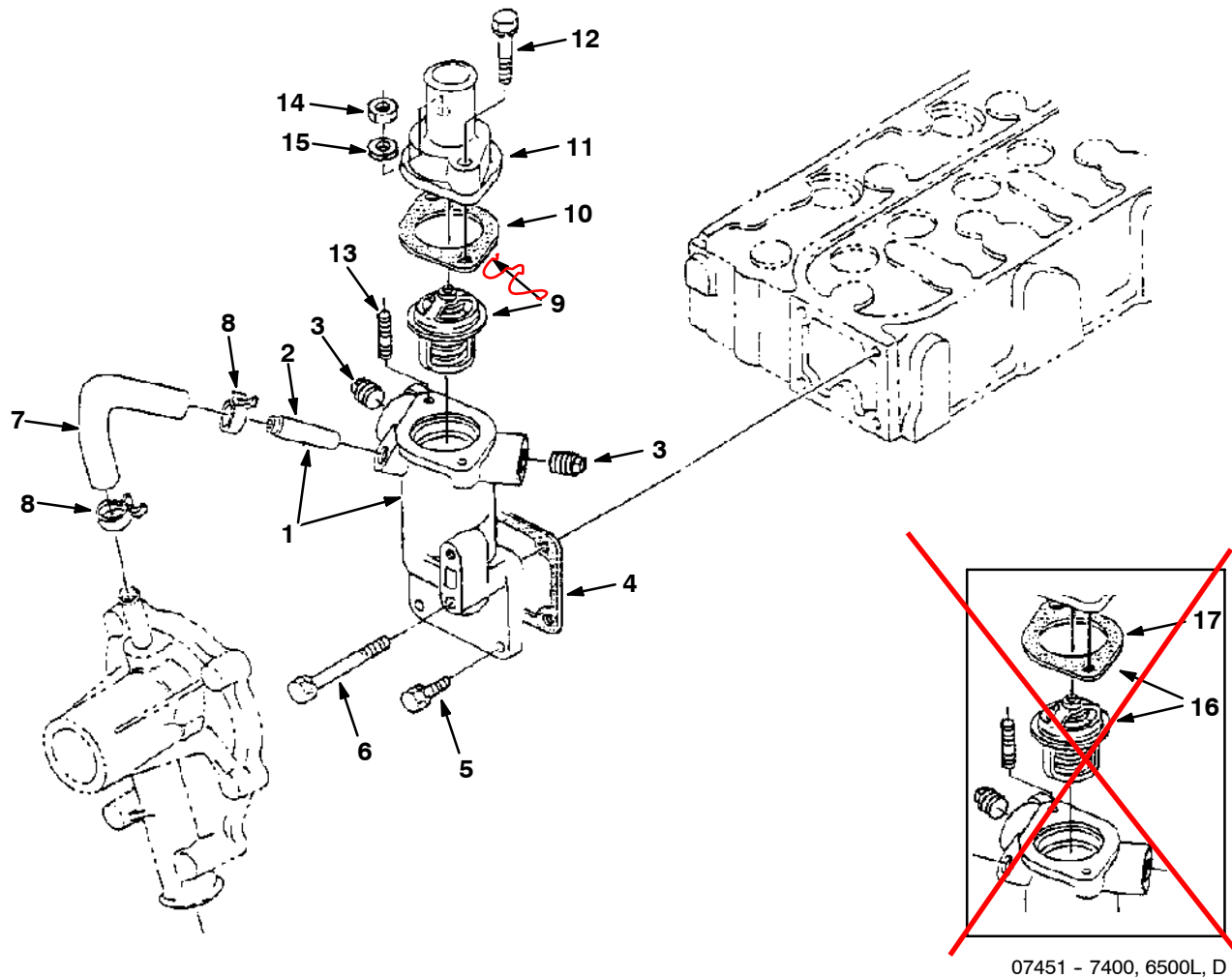
Fig. 21 - Governor Group



07447 - 7400, 6600L, 8200L, D

Ref.	Part No.	Description	Qty.
1	70985	Spring, Start	1
2	70986	Spring, Governor	1
▽ 3	73627	Assembly Lever, Fork	1
▲ 4	70987	Comp. Lever, Fork 1	1
▲ 5	73628	Lever, Fork 2	1
▲ 6	73629	Shaft, Fork Lever	1
▲ 7	70988	Washer, Plain	1
▲ 8	70989	Bearing, Ball	1
▲ 9	73630	Cir-clip, External	1
10	73631	Cover, Fork Lever Shaft	1
11	361430	Gasket	1
12	39160	Bolt	2
13	70991	Collar 1	1
14	70992	Bearing, Ball	1

Fig. 22 - Water Flange Group



07451 - 7400, 6500L, D

Ref.	Part No.	Description	Qty.
▽	1 <del>70993</del> 368090	Comp. Flange, Water	1
▲	2 361440	Pipe, Water Return 1	1
	3 73632	Plug	2
	4 70994	Gasket, Water Flange	1
	5 41973	Bolt	3
	6 72995	Bolt	1
	7 73633	Pipe, Water Return 2	1
	8 73634	Band, Pipe	2
X	9 10852	Thermostat, 180deg, 1.7d	1
10851	10 <del>1010851</del>	Gasket, Thermostat 1.7 Dia.	1
368091	11 <del>73635</del>	Cover, Thermostat 1.7 Dia.	1
	12 72996	Bolt	1
	13 73636	Stud	1
	14 39121	Nut	1
	15 39065	Washer, Spring	2
▽	<del>16 71455</del>	<del>Thermostat, 180deg, 1.5d, W/Gasket</del>	<del>1</del>
▲	<del>17 368002</del>	<del>Gasket, Thermostat</del>	<del>1</del>

~~① Tennant Serial Number (000000- xxxxxx)~~

~~② Tennant Serial Number ( xxxxxx- )~~

# SECTION 6

**CONTENTS**

**PAGE**

PART NUMBER TO PAGE NUMBER CROSS REFERENCE LIST ..... 6-2  
PART DESCRIPTION TO PAGE NUMBER CROSS REFERENCE LIST ..... 6-12

# CROSS REFERENCE

## PART NUMBER TO PAGE NUMBER CROSS REFERENCE LIST

Part Number	Page Number	Part Number	Page Number	Part Number	Page Number
IB3614	4-16, 4-17	06474A	2-105	09832	2-39, 2-49
MM426	3-50	06535	2-99	1002789	2-115, 3-33
MM426ES	3-50	06549	2-25	1002898	2-113
MM426FR	3-50	06598	2-45, 3-21	1002899	2-113
MM426JP	3-50	06764	2-35	1005086	2-115, 3-33
MM428	3-50	06941	2-37	1005255	2-113
00500-15	4-10, 4-11, 4-12, 4-13	06942	2-37, 2-117	1005302	2-115, 3-33
00927	2-97	06943	2-11, 2-35, 2-39	1005304	2-115, 3-33
00954	4-16	06944	2-11	1005416	2-122
00960	4-17	06945	2-121	1005435	2-113
01076	2-11	06981	2-89	1005506	2-117
01316	3-11	07274	2-31	1005507	2-117
01335	3-48	07449	2-107	1005508	2-117
01644	4-29, 4-31	07450	2-105	1005552	2-115, 3-33
01683	2-49, 2-53, 2-59, 3-17, 3-19	07562	2-29, 3-49	1006401	2-115, 3-33
01684	2-3, 2-7, 2-37, 2-47, 2-53, 2-95, 2-99, 2-101, 2-103, 2-115, 2-117, 2-121, 3-13, 3-23, 3-33	07783	2-93, 2-97	1006415	2-113
01685	2-5, 2-9, 2-37, 2-41, 2-45, 2-49, 2-59, 2-75, 2-89, 2-101, 2-113, 3-17, 3-21	07787	2-89	1006447	2-117
01686	2-7, 2-89, 2-91, 2-95, 2-99, 2-101, 2-107, 2-109	07788	2-7, 2-11, 2-101	1008142	2-57
01692	2-107	07790	2-35	1008147	3-11
01704	2-49	07791	2-5, 2-35, 2-37, 3-7, 3-9	1010668	2-117, 3-33
01714	2-49	07805	2-101	1010684	2-113
01762	2-93	08182	2-93, 2-97	1010775	2-117
02430	4-37	08708	2-11, 2-37	1010836	2-117
02431	2-21	08709	2-33, 2-39, 2-69, 2-113	1010851	5-32
02506-6	3-37	08712	2-47, 2-53, 2-103, 2-107, 2-115, 3-19, 3-23, 3-33	1011403	2-113, 2-115, 2-117, 3-33
02705	4-3	08713	2-5, 2-37, 2-45, 2-49, 2-89, 2-111	1011521	2-117
02706	4-3, 4-39	08714	2-75, 2-91, 2-95, 2-99, 2-105, 2-107, 2-109	1013857	2-117
02709	4-3	08716	2-53, 2-103, 2-107, 2-115, 3-19, 3-23, 3-33	1013902	2-113
02740	2-29	09005	2-97	1014082	2-113
02741	2-29	09007	2-7, 2-91, 2-107, 3-23	10143	2-41
02850	3-3, 3-5, 3-7, 3-9	09010	2-5, 2-9, 2-41, 2-101, 2-113, 3-17	1014563	2-57
02931	2-2, 2-111	09011	2-89	1014575	2-113
02939	2-107	09023	2-45, 2-49	1014843	2-37
03026	2-29	09026	2-45	1014986	2-113
03495	2-109	09028	2-7, 2-89, 2-95, 2-99, 2-101, 2-109, 3-21	1014987	2-113
03922	2-51	09029	2-101	1015012	2-122
04140	2-23	09088	2-45	1015070	3-33
04414	2-27	09206	2-113	1015096	2-121
04417	2-105	09252	2-117	1015631	2-23
04706	2-17	09291	3-21	10165	2-2, 2-111
04733-10	2-105	09738	2-53, 3-19	1016827	2-35
05286	2-91	09739	2-53, 2-59, 3-17	1017126	2-2, 2-35
05686	2-107	09740	2-5, 2-101, 2-113, 3-17, 3-21	1017218	2-55, 2-57
05724	2-3	09741	2-101	1017248	3-3, 3-7
05725	2-3	09744	2-95, 2-99	1017250	3-5, 3-9
05726	2-3	09806	2-11	1018040	2-117
06279	2-105			1018059	2-37
06419	2-89			1018097	2-113
				1018098	2-117
				1018333	3-33
				1018337	2-115, 3-33
				1018499	2-115, 2-117, 3-33
				1018780	2-113
				1018883	2-117
				1018884	2-117
				1019209	2-113
				1020195	2-121
				1021210	3-15, 4-35

# CROSS REFERENCE

Part Number	Page Number	Part Number	Page Number	Part Number	Page Number
1021315	2-49	13907	4-19, 4-21, 4-23, 4-25, 4-39	20813	2-9
1021878	2-2, 2-113	14131	2-35	20820	2-13
1023363	2-25	14242	2-45	20822	2-13
1023853	2-37	14432	2-29	20833	2-2, 2-111
1024020	2-117	14595-1	2-23	20862	2-75
1027294	2-53	14601	2-49	20868	2-105
1028042	2-105, 3-21	14605	2-23	20884	2-51
1028580	2-121	14838	2-3	20885	4-33
1028582	2-117	14864	2-59	20889	2-103
1029833	2-43	14880	2-59	20891	3-15, 4-33
1030138	2-35	14983	3-48	20892	4-33
1030863	2-117	150100	2-117	20895	3-15
1030864	2-117	150525	2-113	20903	2-29
1030878	2-117	15539	2-3	20914	3-13, 4-29
1031405	2-121	15555-1	2-35	20915	2-57
1031566	2-39	15675	2-37	20917	2-37
1031699	2-57, 2-59, 3-17, 4-29, 4-31, 4-33, 4-35	15965	3-11	20918	2-55
1031700	3-45, 3-46	16213	2-49	20919	2-55
1032812	2-35	16376	2-25	20921	2-57
1032822	2-37	16456	2-105	20922	2-57
1033507	3-11	16695	4-10, 4-11, 4-12, 4-13	20924	2-55
1033897	2-35	16735	2-75	20927	2-55
1033901	2-35	16931	2-5, 2-33, 2-35, 2-37, 2-49, 2-89, 3-7, 3-9	20932	3-45, 3-46
10573	3-15	17188	2-55	20935	2-5
10575	3-13, 3-15	19065	3-3, 3-5, 3-7, 3-9	20936	2-5
10632-14	2-37	19066	2-117	20937	2-57
10632-5	2-15, 2-21	19191	3-23	20938	2-59
10632-9	3-3, 3-5, 3-7, 3-9, 3-19	19252	2-27	20941	3-17
10664	2-75	19313	2-75	20942	3-17
10678	3-11	19544	2-69	20943	2-57
10844	5-17	19583	2-43	20944	3-17
10845	5-17	20171	2-89	20945	2-61
10852	5-32	20432	5-21	20947	3-13
10895	5-3	20433	5-21	20949	2-57
11399	2-53, 2-57, 2-103	20719	5-23	20950	3-17
11843	2-107	20777	2-53	20951	3-17
12273	2-5, 2-9, 2-37, 2-55, 2-57, 2-59, 3-17	20778	2-53, 4-33	20952	3-17
12274	2-11	20779	2-53	20955	3-11
12295	2-97	20782	2-15	20956	3-11
12316	2-59	20784	2-13	20957	3-13
12317	2-39	20785	2-15	20958	2-55
12333	2-37	20788	2-9	20959	2-53
12364	2-111	20789	2-5	20969	2-37
12472	3-44	20791	2-7	20971	2-2, 2-51
12677	3-23	20792	2-37	20974	2-51
12678	2-2, 3-23	20793	2-37	20976	2-51
12895	5-15	20795	3-36	20980	2-57
12916	5-7	20798	3-38	20982	2-51
13015	2-41	20800	3-39	20983	2-57
13248	2-5, 2-9, 2-37, 2-39, 2-51, 2-57, 2-71, 2-73, 3-25, 3-27	20801	3-23	20988	4-33
13513	2-49	20802	2-13	20989	4-33
13902	4-19, 4-21, 4-23, 4-25, 4-27, 4-36	20805	2-5	20994	2-55
13904	4-19, 4-21, 4-23, 4-25, 4-36	20806	2-53, 2-107	20995	2-55
		20807	2-53	20996	2-55
		20809	2-15	20997	2-55
		20810	2-55	20999	3-17
		20811	2-55	21195	2-75
		20812	2-13	21198	2-69
				21586	2-109
				21597	2-109
				21600	2-109

# CROSS REFERENCE

Part Number	Page Number	Part Number	Page Number	Part Number	Page Number
21601	2-109	22731	2-47	25794	2-9
21602	2-109	22786	3-17	25797	2-97
21603	2-109	22790	4-29, 4-31, 4-35	25804	2-107
21606	2-109	23282	4-29, 4-31, 4-33, 4-35	25812	4-23, 4-25
21608	2-109	23283	4-29, 4-31, 4-33, 4-35	25817	2-122
21614	2-2, 2-109	23285	4-29, 4-31, 4-33, 4-35	25818	2-57
21623	2-11	23456	3-45, 3-46	25819	2-107
21625	2-15	23498	2-57	25820	2-5
21626	2-11	23788	2-47, 2-93, 2-97	25821	2-51
21627	2-11	24012	2-33	25822	3-17
21628	2-11	24174	2-59	25858	4-19, 4-21
21630	2-11	24196	2-11	26395-1	2-49
21631	2-15	24199	3-17	27920	2-21
21638	2-9	24265	3-3, 3-5, 3-7, 3-9	27978	3-3, 3-5
21657	4-37	24299	2-3	28854	4-12
21659	4-37	24339	2-43	29192	3-3, 3-5, 3-7, 3-9
21904	4-19, 4-21, 4-23, 4-25, 4-27	24358	2-57, 2-59, 3-17, 4-31, 4-33, 4-35	30013	2-33, 2-37
21906	4-19, 4-21, 4-23, 4-25, 4-27	24450	3-11	30121	5-17
21907	4-19, 4-21, 4-23, 4-25, 4-27	24555	2-109	30122	5-17
21916	4-19, 4-21, 4-23, 4-25, 4-27	24576	3-19	30125	5-11
21919	4-19, 4-21, 4-23, 4-25	24672	3-3, 3-5	30131	5-23
21920	4-19, 4-21, 4-23, 4-25	24976	2-23, 2-25	30132	5-23
21921	4-27	25049	2-49	30136	5-29
21922	4-27	25312	3-36	30268	3-11
21923	4-19, 4-21, 4-23, 4-25, 4-27	25611	3-23	30407	2-21, 2-27
21924	4-10, 4-11	25620	3-23	30481	2-23
21925	4-3, 4-39	25673	2-13	30533	3-38
21926	4-3	25677	2-15	30559	2-39
21927	4-3	25678	2-9	31354	4-10, 4-11, 4-12, 4-13
21928	4-3	25684	2-89	31375	4-13
21929	4-3	25686	2-93, 2-97	31379	4-13
21931	4-27	25689	2-97	31383	4-13
21933	4-15	25709	2-95, 2-99	31596	3-29, 3-31
21934	4-15	25714	2-101	31598	3-29, 3-31
21935	4-15	25719	2-95	31599	2-73
21936	4-5	25730	2-95, 2-99	31610	2-67
21937	4-5	25733	2-99	31613	2-2, 2-73
21938	4-5	25735	2-107	32126	2-43
21939	4-5	25736	2-95, 2-99	32183	2-35
21940	4-5	25737	2-95, 2-99	32483	2-35
21941	4-5	25744	3-35	32485	2-5, 2-49, 2-69
21942	4-5	25745	3-35	32486	2-5, 3-7, 3-9
21943	4-5	25746	3-35	32490	2-11, 2-35, 2-37, 2-49, 2-91, 2-111
21944	4-5	25755	3-19	32491	2-5, 2-11, 2-35, 2-37, 2-39, 2-89, 2-91, 2-113
21945	4-5	25761	3-3	32492	2-39, 2-49
21946	4-5	25763	3-5	32494	2-89
22140	2-37	25765	3-7	32501	2-59
222290	2-86, 2-121, 3-23	25767	3-9	32508	2-59
222460	2-45	25769	3-35	32613	2-59
22290	2-17	25773	3-50	32614	2-59
223054	2-105	25775	3-47	32669	2-59
223533	2-59	25778	3-45	32716	2-107
22604	2-43, 4-9	25781	3-46	32746	2-3, 2-117
22654	4-11, 4-12	25783	3-45, 3-46	32899	2-49
		25791	2-109	32981	2-35, 2-49
		25792	2-99	32984	2-9
		25793	2-95	32987	2-43

# CROSS REFERENCE

Part Number	Page Number	Part Number	Page Number	Part Number	Page Number
32989	2-49	373348	4-39	39121	5-7, 5-25, 5-30, 5-32
330710	3-50	373389	4-39	391451	2-55
33295	3-11	373391	4-39	39160	5-15, 5-29, 5-31
33329	2-33	373393	4-39	39161	5-7
33333	2-33	373394	4-39	39162	5-10, 5-11
33373	2-107	373395	4-39	391803	2-13
33580	4-7, 4-9	373398	4-39	391804	2-95, 2-101
33948	2-105	373402	4-39	391815	2-23
34178	4-7, 4-9	373413	4-39	391849	2-99
34179	4-7, 4-9	373427	4-39	391939	2-121
34355	2-67	373429	4-39	391944	2-91
34359	2-43, 2-105, 3-25, 3-27	373434	4-39	391946	3-15
34379	2-67	373453	2-69, 4-39	39197	5-15
34821	2-41	373493	4-39	39210	2-93
34823	2-41	373494	4-39	39272	2-41
35033	2-23, 2-25	374127	2-23, 2-25	39277	2-5, 2-11, 2-33
35586	2-69	374506	2-23	39279	2-69
361366	5-4	374560	2-43	39283	2-39
361368	5-23	374562	2-43	39285	2-49
361373	5-23	374566	2-43	393401	2-25
361374	5-10, 5-11	374604	3-41	39349	2-49, 2-69
361392	5-13	374605	3-41	39350	2-93, 2-97
361427	5-12	374607	3-42	393673	5-23
361428	5-4	374608	3-42	393674	5-23
361430	5-31	374618	3-45, 3-46	39508	5-23
361436	5-3	374625	2-23	39527	4-13
361440	5-8, 5-32	374676	2-33	397692	3-23, 4-12
36165	2-23, 2-25	374677	2-33	397889	2-121
364845	2-29	374688	3-43	398474	2-117
365109	5-4	374689	3-43	40166	5-23, 5-29
36542	2-91	374691	2-33	40362	2-73
368092	5-32	375014	3-45, 3-46	40407	5-30
368132	2-37	375322	3-11	40409	5-12, 5-28
36845	3-21	37555	4-10, 4-11, 4-12, 4-13	40678	2-21, 2-35, 2-53, 2-55, 2-101
369704	2-21	37616	4-7, 4-9	41128	2-9
369781	2-45	377084	2-121	41130	2-51
369810	2-9	377359	3-23	41178	2-9
369816	3-23, 4-11	377448	2-5	41185	2-39
369845	2-75	37756	4-7, 4-9	41186	2-9, 2-13, 2-15, 2-51
369850	2-53, 3-23, 3-33, 4-33	37766	4-7, 4-9	41187	2-75
369891	2-9	378952	2-95, 2-99	41345	2-5
369897	2-107	379005	3-13, 4-31	41346	3-7, 3-9
36996	2-75	379030	2-89	41421	2-59
372900	5-11	382516	2-21	41430	2-37, 2-39, 2-49
372901	5-11	38255	4-7, 4-9	41451	2-59
372904	5-11	383165	2-21	41454	2-59
372905	5-12	388134	2-9	41579	2-113
372912	5-11	38968	4-7, 4-9	41619	2-7, 2-11, 2-101, 3-21
372913	5-11	39019	2-95, 2-99	41792	5-4
372917	5-23	39051	5-3	41973	5-15, 5-30, 5-32
372918	5-11	39062	5-3	42133A	2-53
372920	5-3	39063	5-3, 5-5	42215	2-69, 3-25, 3-27
372921	5-5	39065	5-7, 5-25, 5-30, 5-32	42223	2-43, 2-69
372927	5-11	39073	5-4, 5-5	42226	2-73
372928	5-11	39087	5-3	42260	2-71, 2-73, 2-75
373317	4-39	39088	5-3, 5-5	43844	2-35, 2-37, 2-53
373327	4-39	39094	5-4	43952	2-75
373346	4-39	39103	5-7	44078	2-21
373347	4-39	39105	5-3	44681-1	3-5, 3-9
		39119	5-9		

# CROSS REFERENCE

Part Number	Page Number	Part Number	Page Number	Part Number	Page Number
44681-2	3-5, 3-9	53091	2-15	56346	2-19
44681	3-5, 3-9	53466	2-5, 2-53, 2-113, 3-21, 3-23	56398	2-17
44868	2-71, 2-93	53782	2-101	56553	2-53
44869	2-69, 2-71, 2-93, 3-25	53783	2-29	56555	2-67
44906	2-95, 2-99	53845	3-39	56690	2-17, 2-71, 2-73, 3-25, 3-27
44961	2-51, 3-21	53963A	2-49	56692	2-51, 2-69
45272	3-7, 3-9	54017	2-69	56820	2-43, 3-25, 3-27
45482	3-25, 3-27	54051	2-43	56821	2-51, 3-23
45487-6	3-23	54052	2-43	57220	3-3, 3-5
45622	4-7, 4-9	54087	2-43	57224	3-23
45623	4-7, 4-9	54093	2-5	57315	2-43
45628	4-10, 4-11, 4-12, 4-13	54274	2-33, 2-37, 2-39, 2-49, 2-51, 2-71, 2-73, 3-25, 3-27	57564	3-23
45779	3-3, 3-5, 3-7, 3-9	54275A	2-51	57568	2-23, 2-25
45780	2-5	54333	2-35, 2-53, 2-113, 2-115, 2-117, 3-17, 3-23, 3-33	57751	2-21
46481	2-75	54338-2	3-19	57754	2-27
46559	2-49	54390	2-45	57755	2-27
46563	2-47	54400	2-45	57772	2-121
47178-6	2-9	54437	2-45	57773	2-27
47512	2-39, 2-69	54567	2-45	57803	2-21
47522	3-25, 3-27	54577	2-45	57807	2-21
47585	2-17	54607	2-47	57876	3-49
47744	2-11	54615	2-9	57897	4-3
47801	2-43	54618	2-97	57964	2-67
48079	2-91	54911-16	2-27	57988	2-93
48126	2-35	55035	2-59	58090	2-29
48183	2-89	55248	3-3, 3-5	58091	2-35
48267	2-35	55272	3-3, 3-5, 3-7, 3-9	58114	2-2, 2-51
48697	3-11	55586	2-93, 3-25, 3-27	58120	2-2, 2-29
48734	3-45, 3-46	55691	2-67	58121	3-49
48988	3-11	55700	2-67	58286	2-35
49263	2-21	55831	2-27	58301	2-35
49266	2-49, 3-3, 3-5, 3-7, 3-9	55837	2-27	58327	2-2, 2-31
49800	2-75, 3-48	55847	5-8	58346	2-29
49943	2-67	55849	2-2, 5-7	58362	2-23
50238	2-57, 3-11	55855	2-31	58366	2-37, 2-75
50256	2-57, 3-11	55856	2-31	58391	2-23
50269	2-89, 2-107	55863	2-31	58494	2-15
50270	2-97	55926	4-39	58518	3-3, 3-7
50304	3-47	55941	4-3	58519	3-3, 3-7
50544	2-53	56077	2-89	58520	3-3, 3-7
50960	3-21	56078	2-97	58524	2-11
51109	2-47	56088	2-93	58538	2-29
51176	2-27	56096	2-89	58566	2-27
51305	2-37	56100	2-93	58677	2-93, 2-97
51322	2-75	56103	2-89	58819	2-9
51331	5-5	56106	2-89	58842	2-43
51332	5-12	56113	2-97	58979	2-47
51338	2-43, 2-45, 3-41, 3-42, 3-43	56136	2-89	59009	2-47
51339	2-43, 2-45	56137	2-89	59015	2-35
51534	2-105	56139	2-89	59156	2-107, 3-21
51560-3	2-29	56149	2-91	59192	2-7, 2-11, 2-15, 2-101
51787	2-15, 3-47	56166	2-93	59194	2-7, 2-101
52386	4-3	56167	2-89	59195	2-7
52402	2-39, 2-69	56185	2-17	59393	2-103
52405	4-7, 4-9	56186	2-21, 2-121	59447	3-3, 3-5
53029	2-35	56237	2-23	59514	2-15
53076	2-69			59561	2-67
				59567	2-67
				59581	3-29, 3-31



# CROSS REFERENCE

Part Number	Page Number	Part Number	Page Number	Part Number	Page Number
59633	3-21	66211	2-45	70899	5-5
59640	2-23	66213	2-45	70900	5-7
59668	2-49	67004	3-47	70901	5-7
59672	2-49	67767	2-21, 2-115, 3-17, 3-33	70902	5-7
59884	2-23	67811	2-69	70903	5-7
59885	2-23, 2-25	68866	2-49	70904	5-7
59900	3-11	68872	2-41	70905	5-7
59901	3-11	68873	2-41	70906	5-7
59935	2-23, 2-25	69173	2-71	70907	5-7
59946	2-27	69234	2-21, 2-41	70909	5-7
59962	3-19	69462	2-45	70910	5-7
59971	2-19	69582	2-95, 2-99	70911	5-7
59976	2-19	69657	3-47	70912	5-7
59977	2-19	69659	3-47	70913	5-7
60288	3-3, 3-5	69784	2-55, 3-13, 3-15	70915	5-8
60559	2-31	69906	2-15	70916	5-8
61490	4-10, 4-13	70006	2-73	70917	5-8
61529	2-31	70096	4-3, 4-39	70919	5-8
61531	2-31	70097	4-3	70920	5-8
61891	4-3	70098	4-3	70921	5-9
61920	3-19	70099	4-3	70922	5-9
61931	2-31	70100	4-3, 4-39	70923	5-9
62100	2-67	70103	4-3	70924	5-9
63147	3-21	70103	4-3	70925	5-9
63175-1	3-21	70158	2-45	70926	5-9
63182-5	3-17	70160	2-31	70927	5-9
63233	2-105, 3-21	70161	2-45	70928	5-9
63234	3-21	70165	2-25, 5-29	70929	5-10, 5-11
63244-3	2-53	70173	2-35	70930	5-10
63245-1	2-117	70188	5-29	70931	5-10
63282	2-89	70189	5-7	70932	5-10
63292	2-49	70196	5-21	70933	5-10
63430	3-47	70197	5-21	70934	5-12
63448	3-47	70198	5-21	70935	5-12
63451	3-47	70199	5-21	70936	5-13
63468	2-107	70200	5-21	70937	5-13
63469-3	2-11	70201	5-21	70938	5-17
63810	3-11, 3-15	70202	5-21	70939	5-17
63923	4-37	70203	5-21	70940	5-17
64173	2-95, 2-99	70204	5-21	70941	5-17
64425	2-2, 2-95, 2-99, 2-105, 2-107, 2-111	70205	5-21	70942	5-17
64595	2-15	70206	5-21	70943	5-17
64651	2-17	70207	5-21	70944	5-17
64743	2-115, 3-33	70208	5-21	70945	5-17
64778	2-115, 3-33	70209	5-21	70946	5-17
64939	2-23	70210	5-21	70947	5-17
65145-1	2-69	70211	5-21	70948	5-17
65221	2-2, 2-75	70212	5-21	70949	5-17
65222	2-75	70213	5-21	70950	5-17
65230	4-10, 4-11, 4-12	70622	2-17	70951	5-17
65240	4-19, 4-21, 4-23, 4-25	70623	2-17	70952	5-17
65241	4-13	70709	2-17	70953	5-17
65441	2-49	70717	2-17	70954	5-17
65587	3-23	70887	5-3	70955	5-17
66187	5-4	70888	5-3	70956	5-19
66194	5-5	70889	5-4	70957	5-19
66204	5-17	70892	5-4	70964	5-23
66205	5-8	70893	5-4	70965	5-23
66207	5-17	70895	5-5	70966	5-23
		70896	5-5	70967	5-23
		70897	5-5	70968	5-23

# CROSS REFERENCE

Part Number	Page Number	Part Number	Page Number	Part Number	Page Number
70972	5-25	71251	2-101	71606	2-5
70973	5-25	71254	2-109	71607	2-95, 2-99
70974	5-25	71255	2-2, 2-109	71608	2-95, 2-99
70975	5-28	71256	2-2, 2-109	71610	2-93
70976	5-28	71257	2-107	71611	2-97
70977	5-28	71260	2-103	71612	2-3
70978	5-28	71261	2-101	71613	2-11
70979	5-28	71263	2-101	71614	2-53
70980	5-29	71274	2-111	71626	2-86
70982	5-30	71287	2-39	71628	3-11
70983	5-30	71289	2-5	71630	2-91
70984	5-30	71322	2-7	71645	3-7, 3-9
70985	5-31	71328	2-15	71648	3-19
70986	5-31	71330	2-7	71649	3-19
70987	5-31	71340	2-43	71651	3-19
70988	5-31	71341	2-43	71652	3-19
70989	5-31	71344	2-43	71653	3-19
70991	5-31	71345	2-43	71658	2-105
70992	5-31	71353	3-44	71665	2-21
70993	5-32	71354	3-44	71676	2-49
70994	5-32	71355	3-34	71677	2-49
70998	5-3	71357	3-44	71678	2-49
71082	2-103	71360	2-47	71680	2-49
71083	2-101	71361	2-45	71681	2-49
71084	2-101	71367	2-47	71682	2-49
71090	2-111	71369	2-45	71702	2-73
71100	2-107	71372	2-45	71705	2-71, 4-19
71101	2-105	71373	2-45	71708	3-25, 3-27, 4-27
71102	2-2, 2-103	71375	2-103	71713	2-17, 4-15
71104	2-105	71385	2-25	71716	2-69, 4-5
71106	2-101	71388	2-25	71719	2-39, 4-17
71113	2-107	71403	2-35	71720	2-69, 4-3
71115	2-103	71406	2-33	71721	2-69
71117	2-111	71409	2-71	71722	3-23, 4-10
71121	2-101	71416	2-35	71723	2-69
71123	2-111	71418	2-29	71724	2-43, 4-7
71124	2-111	71423	2-35	71726	2-73
71126	2-111	71427	2-35	71727	2-71, 3-25, 3-27
71166	2-93	71429	2-31	71728	2-2, 2-73
71168	3-13	71430	2-35	71729	2-93, 4-13
71169	2-41	71431	2-35	71733	2-67
71170	2-3	71432	2-35	71735	2-67
71171	2-3	71439	2-31	71736	2-67
71172	2-17	71442	2-31	71737	2-67
71173	2-17	71445	2-35	71738	2-67
71199	2-109	71452	2-2	71739	2-67
71200	2-2, 2-91	71455	5-32	71740	2-67
71201	2-91	71477	3-39	71741	2-67
71202	2-111	71480	2-39	71742	2-67
71204	2-107	71482	2-39	71743	2-67
71205	2-11	71484	2-39	71744	2-67
71209	2-111	71485	2-33	71745	2-67
71210	2-107	71486	2-33	71747	3-29, 3-31
71211	2-107	71487	2-9	71748	3-29, 3-31
71235	2-2, 2-57	71488	2-29	71751	3-29, 3-31
71236	2-57	71491	2-122	71754	2-67
71238	2-11	71499	2-122	71756	3-29, 3-31
71242	2-107	71543	3-7, 3-9	71757	3-29, 3-31
71243	2-11	71593	2-19	71760	3-25, 3-27, 4-21
71245	2-107, 2-111	71594	2-19	71761	2-71, 4-23
71248	2-107	71595	2-19	71762	3-25, 3-27, 4-25

# CROSS REFERENCE

Part Number	Page Number	Part Number	Page Number	Part Number	Page Number
71786	2-53	72016	5-7	73512	5-15
71787	2-9	72017	5-7	73513	5-15
71790	2-9	72018	5-7, 5-30	73514	5-15
71793	2-53	72491	2-35	73515	5-15
71796	2-47	72926	2-43	73516	5-15
71808	3-23	72970	2-9, 2-17, 2-21, 2-29, 2-121	73517	5-15
71815	3-21	72977	2-41	73518	5-15
71825	3-23	72993	5-7	73519	5-15
71832	3-21	72994	5-7, 5-12	73520	5-17
71839	2-2, 3-23	72995	5-7, 5-32	73521	5-17
71855	3-21	72996	5-8, 5-12, 5-32	73522	5-17
71860	3-21	72997	5-8	73523	5-17
71863	3-21	72998	5-9	73524	5-17
71866	3-21	72999	5-9	73525	5-17
71868	3-21	73027	2-17	73526	5-17
71869	3-21	73061	2-17	73527	5-17
71870	3-21	73112	2-51, 4-16	73528	5-17
71874	3-21	73145	2-57, 3-11	73529	5-17
71886	2-5	73260	3-17, 4-37	73530	5-17
71887	3-11	73281	2-43	73531	5-17
71888	3-11	73342	2-55, 4-29, 4-31, 4-33, 4-35	73532	5-17
71891	2-9	73411	2-49	73533	5-19
71898	2-15	73430	2-69, 4-36	73534	5-19
71911	2-75	73433	3-11	73535	5-19
71914	2-37	73445	2-86	73545	5-21
71916	2-37	73468	3-11	73547	5-21
71926	2-5	73472	3-11	73551	5-21
71927	2-13	73478	3-11	73554	5-23
71929	2-15	73479	5-9	73555	5-23
71931	2-13	73480	5-10	73560	5-23
71934	2-15	73481	5-10, 5-12	73561	5-25
71939	2-15	73482	5-10	73562	5-25
71941	2-11	73483	5-10, 5-11	73563	5-25
71947	2-37	73484	5-10, 5-11	73565	5-25
71948	2-37	73485	5-10	73567	5-27
71949	2-37	73486	5-12	73568	5-27
71950	2-37	73487	5-12	73569	5-27
71961	2-5	73488	5-12	73570	5-27
71962	2-9	73491	5-13	73571	5-27
71963	2-9	73492	5-13	73572	5-27
71980	2-9	73493	5-13	73573	5-27
71982	2-53	73494	5-13	73574	5-27
71985	5-3	73495	5-13	73575	5-27
71986	5-3	73496	5-13	73576	5-27
71987	5-3	73497	5-13	73577	5-27
71988	5-3	73498	5-13	73578	5-27
71989	5-3	73499	5-13	73579	5-27
71990	5-3	73500	5-13	73580	5-27
71991	5-3	73501	5-13	73581	5-27
71992	5-3	73502	5-13	73582	5-27
71993	5-3	73503	5-13	73585	5-27
71995	5-4, 5-28	73504	5-13	73586	5-27
71996	5-5	73505	5-13	73588	5-27
71997	5-5	73506	5-13	73589	5-27
71999	5-5	73507	5-13	73590	5-27
72010	5-5	73508	5-13	73592	5-28
72011	5-7	73509	5-15	73593	5-28
72012	5-7	73510	5-15	73594	5-28
72013	5-7	73511	5-15	73595	5-28
72014	5-7			73596	5-28
72015	5-7			73597	5-28

# CROSS REFERENCE

Part Number	Page Number	Part Number	Page Number	Part Number	Page Number
73598	5-28	74229	4-3	78841	4-29, 4-31, 4-33, 4-35
73599	5-28	74230	4-3	78842	4-29, 4-31, 4-33, 4-35
73600	5-28	74231	4-15	78843	4-29, 4-31, 4-33, 4-35
73601	5-28	74232	4-15	78875	4-37
73602	5-28	74233	4-16, 4-17	78882	3-48
73603	5-28	74237	4-3, 4-39	79219	2-109
73604	5-28	74243	4-15	79273-1	2-53, 2-115, 3-33
73605	5-29	74244	4-15	79320	2-59
73606	5-29	74245	4-15	79380	2-51
73607	5-29	74248	4-3	79381	2-37
73610	5-29	74249	4-7, 4-9	79399	2-23, 2-25
73618	5-30	74250	4-10, 4-11, 4-12, 4-13	79710	4-36
73619	5-30	74405	2-27, 5-21	79711	4-19, 4-21, 4-23, 4-25, 4-27
73620	5-30	74452	2-33	79712	4-36
73621	5-30	74455	2-35	79713	4-36
73622	5-30	74469	4-3	79714	4-36
73623	5-30	75050	2-2, 2-111	79715	4-36
73624	5-30	75147	2-45	79719	4-19, 4-21, 4-23, 4-25
73625	5-30	75272	2-9	79728	4-19, 4-21, 4-23, 4-25, 4-27
73626	5-30	75305	2-49	79731	4-19, 4-21, 4-23, 4-25, 4-27
73627	5-31	75375	2-51	79739	4-19, 4-21, 4-23, 4-25
73628	5-31	75456-3	2-51	79740	4-19, 4-21, 4-23, 4-25, 4-27
73629	5-31	75456-4	2-51	79826	4-7
73630	5-31	75611	2-55, 2-57	79827	4-7
73631	5-31	75635	3-45, 3-46	79828	4-7, 4-9
73632	5-32	75934	2-49	81952	2-111
73633	5-32	75968	2-17	82063	3-3, 3-7
73634	5-32	762249	2-113	82200	3-5, 3-9
73635	5-32	762521	2-21	82510	2-35
73636	5-32	76943	2-2, 2-111	82731	2-31
73742	3-15	77002	2-35	82817	2-67
74094	4-10, 4-11, 4-12, 4-13	77097	2-51, 2-71, 2-89, 2-105, 3-21, 3-25, 3-27	82825	2-39, 3-25, 3-27
74095	4-13	77098	3-21	82830	3-21
74098	4-7, 4-9, 4-13, 4-19, 4-21, 4-23, 4-25, 4-27	77235	2-9	82839	2-49
74099	4-13, 4-19, 4-23	77237	3-13	82899	2-89
74100	4-10, 4-11, 4-12, 4-13	77306	2-67	83879	2-49
74122	4-7, 4-9	77322	3-47	83887	2-49
74123	4-7, 4-9	77345	2-43	84170	2-49
74125	4-7, 4-9	77347	2-75, 2-95, 2-99, 2-107	84579	2-33
74137	4-7, 4-9	77488	2-105	84597	3-40
74165	4-9	78398	4-29, 4-31, 4-35	84625	2-23, 2-25
74166	4-7, 4-9	78740	2-55	84631	5-5
74167	4-9	78785	2-49	84635	5-25, 5-27
74168	4-7, 4-9	78811	2-25	84636	5-28
74171	4-7, 4-9	78829	4-29, 4-31, 4-33, 4-35	84638	5-23
74175	4-10, 4-11, 4-12	78830	4-29, 4-31, 4-35	84644	5-25
74177	4-10, 4-11, 4-12	78833	4-29, 4-31, 4-33, 4-35	84646	5-3
74178	4-10, 4-11, 4-12	78836	4-29, 4-31, 4-33, 4-35	84647	5-3
74180	4-3, 4-39	78838	4-35	84648	5-27
74183	4-15	78839	4-29, 4-31, 4-33, 4-35	84649	5-27
74185	4-15	78840	2-55, 4-29, 4-31, 4-33, 4-35	84650	5-27
74192	4-15			84651	5-27
74193	4-15				
74196	4-15				
74222	4-15				
74225	4-3, 4-39				
74226	4-3, 4-39				

<b>Part Number</b>	<b>Page Number</b>
84660 .....	3-50
86041 .....	2-31
86328 .....	2-37
86330 .....	3-3, 3-5
86332 .....	3-3, 3-5
86333 .....	3-7, 3-9
86381 .....	2-21
86575 .....	4-29
86591 .....	2-55, 2-57
86636 .....	2-57, 3-17
86751 .....	2-47
86755 .....	2-55
86759 .....	2-95, 2-99, 3-23
86780 .....	2-89
86781 .....	2-89
86859 .....	2-2, 2-95, 2-99
86860 .....	2-95, 2-99
86865 .....	2-95, 2-99
86866 .....	2-49
87319 .....	2-21
87536 .....	2-21
87742 .....	2-9
87866 .....	2-21
9000355 .....	2-35
9000356 .....	2-9
9000845 .....	3-3, 3-7
9000846 .....	3-5, 3-9
9000879 .....	3-3, 3-5, 3-7, 3-9
9001201 .....	2-23
9001444 .....	2-25
9002438 .....	2-117
9002439 .....	2-117
94877 .....	2-89

**PART DESCRIPTION TO PAGE NUMBER CROSS REFERENCE LIST**

**A**

Actuator, Govnr, Dsl, 2-25  
 Actuator, Mag, 4-36  
 Actuator, Valve, Bypass, 4-39  
 Adapter, Actuator, Govnr, Eng, Dsl, 2-25  
 Adaptor, Rod-End, S Br, 3-21  
 Adaptor, Flywheel Hsg, 2-27  
 Air Cleaner, 2-29  
 Alternator, 50A/12V Mando, 2-31  
 Angle, Battery, 2-41  
 Angle, Cable Keeper, 2-45  
 Angle, Muffler Hanger, 2-33  
 Angle, Trim, 2-9  
 Arm Assy, Link, 3-21  
 Arm Wldt, Propel, 2-49  
 Arm, Alternator, 2-31  
 Arm, Brush, Mach, Lh, 2-93  
 Arm, Brush, Mach, Rh, 2-97  
 Arm, Lift, Squeegee, 2-95, 2-99  
 Arm, Linkage, L.H., 2-111  
 Arm, Linkage, R.H., 2-111  
 Arm, Propel, Lower, 2-49  
 Arm, Sq Lift, 2-95, 2-99  
 Armrest Assy, Rh, 3-39  
 Armrest, Molded, 2-9  
 Assembly Apparatus, Idle, 5-29  
 Assembly Bolt, Adjusting, 5-29  
 Assembly Camshaft, 5-15  
 Assembly Cartridge, Oil, 5-7  
 Assembly Case, Main Bearing 1, 5-9  
 Assembly Case, Main Bearing 2, 5-9  
 Assembly Case, Main Bearing 3, 5-9  
 Assembly Case, Main Bearing, 5-9  
 Assembly Cock, Drain, 5-3  
 Assembly Connecting Rod, 5-17  
 Assembly Lever, Fork, 5-31  
 Assembly Pipe, Over Flow, 5-23  
 Assembly Piston Ring 05, 5-17  
 Assembly Piston Ring, 5-17  
 Assembly Plate, Control, 5-30  
 Assembly Pump, Injection (See Injection Pump Breakdown), 5-25  
 Assembly Pump, Injection, 5-27  
 Assembly Pump, Water, 5-8  
 Assembly Rocker Arm, 5-13  
 Assembly Rotor, Oil Pump, 5-7  
 Assembly Seal, Mechanical, 5-8  
 Assembly Shaft, Governor, 5-28  
 Assembly Shaft, R-arm, 5-13  
 Assembly Tappet, 5-27  
 Assy Armature, 5-21  
 Assy Bolt, 5-21  
 Assy Holder, Brush, 5-21  
 Assy Starter, 5-21  
 Assy Switch, Magneto, 5-21  
 Assy Yoke, 5-21

**B**

Backflush, Cover Lid, 4-33  
 Backplate Assy, 4-3  
 Baljoint, 3/8-24, 2-107  
 Ball Joint .375-24 Quick/Disc, 2-89  
 Ball Joint, 250-28, 2-49  
 Ball, 4-7, 4-9, 5-7, 5-17, 5-21  
 Band, Pipe, 5-23, 5-32  
 Battery, 12V, Cc Amps:600 Wet, 2-41  
 Bearing Cam, 4-3  
 Bearing Kit, Idler, 2-97  
 Bearing Kit, 4-15  
 Bearing, .625B X .38, 2-95, 2-99  
 Bearing, Ball, 5-8, 5-28, 5-31  
 Bearing, Brake, 2-47  
 Bearing, Bronze, 2-23  
 Bearing, Cone, Pump, Hyd, 4-39  
 Bearing, Cup, 2.56d 0.55w, 2-43, 2-45, 3-41, 3-42, 3-43  
 Bearing, Cup, 4-39  
 Bearing, Fiberglide, 2-107  
 Bearing, Flange .500B, 2-17  
 Bearing, Flange .625B X .50, 2-95, 2-99  
 Bearing, Flange .625Bx .38, 2-107  
 Bearing, Flange, 2-93  
 Bearing, Nylon, 2-89  
 Bearing, Sf1 Actuator, 2-23  
 Bearing, Sleeve, 1ldx1.12Odx1.5, 3-21  
 Bearing, Snap-In .38 Id, 2-11  
 Bearing, Thrust .500, 2-95, 2-99  
 Bearing, Thrust - Fiberglide, 3-21  
 Bearing, Thrust, 11D X 1.75 Od, 3-21  
 Bearing, Thrust, Pump, Hyd, 4-39  
 Bearing, Thrust, 2-105, 4-3  
 Bearing, Ball.669B 1.575D .472W, 2-31  
 Bearing-Cone, 1.38Bore 0.71Wth, 2-43, 2-45  
 Bearing-Flange, 2 Hole 0.50Bore, 2-17  
 Bearing-Thrust 0.75B 1.25D .06W, 2-101  
 Bearing-Thrust, 1.031 Dia, 2-93, 2-97  
 Bearing, 5-21  
 Bellcrank Wldt, 2-105  
 Bellows Kit, 4-37  
 Bellows, .75 Id 10.3L, 2-57, 3-11  
 Belt, Seat, 3-38  
 Belt, V Hc41X41, 2-31  
 Belt, V, [3v] 41.0l [Hc41], 2-2  
 Blade, Squeegee, Front, 2-2, 2-109, 3-44  
 Blade, Squeegee, Rear, Urethan, 3-44  
 Blade, Squeegee, Rear, 2-2, 2-109  
 Block, Centering, 2-107  
 Block, Fuse, 2-21  
 Block, 2-111  
 Bolt, Bearing Case 2, 5-9  
 Bolt, Adjusting, 5-29  
 Bolt, Axle W/Zerk, 2-2, 2-111  
 Bolt, Bearing Case 1, 5-9  
 Bolt, Connecting Rod, 5-17  
 Bolt, Cylinder Head, 5-5  
 Bolt, Flywheel, 5-19  
 Bolt, Hold Down, Battery, 7.5 Lg, 2-41

Bolt-Eye, .25-20Th .25B 1.4L, 2-91  
 Bolt-Eye, .38-16Th .28B 3.22L, 2-107  
 Bolt, 4-5, 4-7, 4-9, 5-4, 5-5, 5-7, 5-8, 5-9, 5-12, 5-15, 5-17, 5-19, 5-21, 5-25, 5-28, 5-29, 5-30, 5-31, 5-32  
 Boot, Rubber, 2-23  
 Boot, Switch, Ignition, 2-21  
 Boot, Switch, 2-21  
 Boot, Batt. Term. 1-2Ga. Red, 2-41  
 Boot, Batt. Term. 1-2Ga. Black, 2-41  
 Boot, Circuit Breaker, 2-21  
 Bracket Spring Retainer, 2-3  
 Bracket Tie Down, 3-48  
 Bracket Wldt, Mtg, Pump, 2-113  
 Bracket Wldt, Backup Alarm, 3-19  
 Bracket Wldt, Caster, Adj., 2-111  
 Bracket Wldt, Hinge, Lh, 2-15  
 Bracket Wldt, Hinge, Rh, 2-15  
 Bracket Wldt, Hinge, 2-13  
 Bracket Wldt, Mounting, Cyl, 3-21  
 Bracket Wldt, Rot Light, 3-7, 3-9  
 Bracket Wldt, Sq Main, 2-107  
 Bracket Wldt, Sq Secondary, 2-107  
 Bracket Wldt, Steering, Tilt, 2-17  
 Bracket, Alternator, 2-31  
 Bracket, Brake, 2-47  
 Bracket, Caster Lock, 2-111  
 Bracket, Cover, 2-101  
 Bracket, Cylinder, 2-89  
 Bracket, Discharge, 2-51  
 Bracket, Filter, 2-103  
 Bracket, Latch, 2-13  
 Bracket, Mountin, Radiator, 2-37  
 Bracket, Mounting Motor, 2-51  
 Bracket, Mounting, Actuator, 2-23  
 Bracket, Mounting, Air Cleaner, 2-29  
 Bracket, Mounting, Eng, Rear, Lh, 2-27  
 Bracket, Mounting, Engine, 2-27  
 Bracket, Mounting, Fan, 2-51  
 Bracket, Mounting, Filter, 2-35  
 Bracket, Mounting, Light, Ohg, 3-3, 3-5  
 Bracket, Mounting, Radiator, 2-37  
 Bracket, Mounting, Tank, 3-17  
 Bracket, Mounting, Eng, Rear Rh, 2-27  
 Bracket, Mounting, 2-5  
 Bracket, Mtg, Fan, 2-39  
 Bracket, Mtg, Flow Switch, 2-69  
 Bracket, Mtg, Guard, 2-31  
 Bracket, Mtg, Tank, 2-57, 3-17  
 Bracket, Mtg, Valve, Solenoid, 2-117  
 Bracket, Mtg, Valve, 2-71  
 Bracket, Mtg, 2-5  
 Bracket, Muffler, Shield, 2-33  
 Bracket, Pin, 2-11  
 Bracket, Propel, Adjustment, 2-49  
 Bracket, Propel, 2-49  
 Bracket, Retainer, 2-49  
 Bracket, Rocker Arm, 5-13  
 Bracket, Safety Clip, 2-49  
 Bracket, Shield, 2-33, 2-49  
 Bracket, Sol Control, Sb, 3-23

Bracket, Sol Control, 2-53  
 Bracket, Solenoid Valve, 4-33  
 Bracket, Sqge, Rh, 2-99  
 Bracket, Squeegee, Lh, 2-95  
 Bracket, Stop, 2-107  
 Bracket, Switch, 3-19  
 Bracket, Tiedown, Seat, 3-48  
 Bracket, Wheel, Tray, 2-101  
 Brake Assy, 2-45  
 Brake Repair Kit, 2-45  
 Brake Shoe (Need 2), 2-45  
 Breaker-Circuit, 15A Resetable, 2-21  
 Breaker-Circuit, 5A Resetable, 2-21  
 Brush Assy, Scb, H. D. Polypropylene, 2-3  
 Brush Assy, Scb, Soft Nylon, 2-3  
 Brush Assy, Scb, Super Abrasive, 2-3  
 Brush Kit, 2-31, 4-29, 4-31, 4-35  
 Brush, Scb, Polypropylene, 2-3  
 Brush, Scb, Soft Nylon, 2-3  
 Brush, Scb, Super Abrasive, 2-3  
 Bshg,Sleeve,0.37Bx0.50Odx0.50L, 2-47  
 Bulb, 12V .2A 32Cp #1156, 3-3, 3-5, 3-7, 3-9  
 Bulb, 12V .5A 4Cp #1157, 2-5  
 Bumper Kit, Squeegee, 2-2, 2-109  
 Bumper Wldt, S Br, 3-21  
 Bumper, Rubber, 2-9, 2-13, 2-15, 3-47  
 Bumper, Squeegee, 2-109  
 Bush, Governor Gear, 5-3  
 Bush, Idle Gear, 5-15  
 Bush, Piston Pin, 5-17  
 Bushing, Flng, 1.00b 1.13d 1.00l, 2-97  
 Bushing, Sleeve, 0.50b 0.59d 0.38l, Stl, 2-95, 2-99  
 Bushing, Sleeve, 0.50b 0.59d 0.50l, Bnz, 2-105, 3-21  
 Bushing, Spanner - Special 550, 2-2, 2-111  
 Button, Plug, 2.00h .04-.19 [Chm Stl], 2-9  
 Button, Plug, Switch, 1.45 X 0.83 Hole, 2-121  
 Button, Plug, 2-59

**C**

Cable, Batt. Pos. 33.0Lg, 2-41  
 Cable, Batt. Neg. 36"L, 2-41  
 Cable, Brake, Service, 2-45  
 Cable, Hood, 2-11  
 Cable, Push-Pull, 2-49  
 Cable, Sq Lift, Metric, 2-105  
 Cabletie Mount, Adhesive, 3-3, 3-5  
 Cam, Front, 2-109  
 Cam, Fuel, 5-28  
 Cam, Rear, 2-109  
 Camplate, 4-3  
 Camshaft, Fuel, 5-28  
 Cap Assy, Pos Drain, 3-45, 3-46  
 Cap Assy, Tank, Drain, 2-59  
 Cap Assy, Tank, 4-31, 4-35  
 Cap Assy,Tank, 2-57

Cap Drain, 2-59  
 Cap Screw, 4-13  
 Cap Tank, 3-17  
 Cap, Breather, Hyd, 7.0 Ds, 2-2  
 Cap, Drain Hose, 2-59  
 Cap, Drain, 3-45, 3-46, 4-29  
 Cap, End, 4-10, 4-11, 4-12, 4-15  
 Cap, Filler, Oil [Ku], 5-11  
 Cap, Fuel, Protectoseal, 3-37  
 Cap, Fuel, Tank, 2-35  
 Cap, Fuel, 2-35  
 Cap, Hub, 2-45  
 Cap, Hyd, Breather 40Mic 7.0Ds, 2-73  
 Cap, Neoprene, Black, 2-53, 2-107  
 Cap, Plate, 2-55  
 Cap, Radiator, 07psi, 2-37  
 Cap, Radiator, 15psi, 2-37  
 Cap, Sealing, 5-3, 5-5  
 Cap, Tank, 4-33  
 Cap, Valve, 5-13  
 Cap, 5-29  
 Cart, Check Vlv, 4-36  
 Cart, Psi Control, 4-27  
 Cart, Psi, 4-19, 4-21, 4-23, 4-25, 4-27  
 Cart,Pilot Chk, 4-19, 4-21, 4-23, 4-25  
 Cart,Shuttle Chk, 4-27  
 Cartridge Repl Kit Std Brush, 4-19, 4-21  
 Cartridge Repl Kit, Nylon Brush, 4-23, 4-25  
 Caster Assy, Squeegee, Rear, 2-111  
 Caster, Squeegee, 2-107  
 Chain,Link#2/0,11Links,Zinc Pl, 2-89  
 Channel Wldt, Fan Motor, 2-39  
 Channel Wldt, Mtg, S Br, 3-21  
 Channel, Stiffener, Lintel, 2-15  
 Check Valve Kit, 4-29, 4-31, 4-33, 4-35  
 Cir-clip, External, 5-13, 5-31  
 Cir-clip, Governor Shaft, 5-28  
 Cir-clip, Idle Gear, 5-15  
 Cir-clip, Piston Pin, 5-17  
 Circuitbreaker, 15.0a, Resetable, 2-21  
 Clamp Assy, 2-29  
 Clamp Wormdrive, 1.25-2.00, 2-37  
 Clamp Wormdrive, 1.62-3.50, 2-55  
 Clamp Wormdrive, 3.75-4.62, 2-51  
 Clamp, Cable, Stl, 0.69d X 0.62w, 1h, 2-115, 3-33  
 Clamp, Cable, Stl, 1.50 X 1.00W, 1H, 2-5  
 Clamp, Cable, Stl, 1.50d X 1.00w, 1h, 2-113  
 Clamp, Hose, Plastic, 3-13  
 Clamp, Hose, Plstc .351-.394 Id, 2-113  
 Clamp, Hose, Wormdrive, 0.25-0.62d, 2-37, 2-53  
 Clamp, Hose, Wormdrive, 0.31-0.88d, .31w, 2-113, 2-115, 2-117, 3-33  
 Clamp, Hose, Wormdrive, 0.56-1.06d, .56w, 3-11, 3-15  
 Clamp, Hose, 2-59, 5-11  
 Clamp, Muffler, Tube, 1.75 Dia, 2-33  
 Clamp, Pipe 1, 5-23  
 Clamp, Pipe 2, 5-23  
 Clamp,Cable .44D .62Wide, 2-21, 2-35

Clamp,Cable 1.25Dia 1.00W Neo, 2-37, 2-75  
 Clamp,Mounting,Cyclopac Airc., 2-29  
 Clamp-Cable 1.50D 1.00W, 2-5  
 Clamp-Cable, 0.44D 0.62W Stl, 2-53, 2-55, 2-101  
 Clamp-Cable, 0.56Dia 0.38Wth, 2-49  
 Clamp-Cable, 1.00Dia. .62Wth, 2-21, 2-41  
 Clamp-Cable, 1.12Dia 0.38Wth, 2-53  
 Clamp-Cable, 1.50Dia 1.00W, 3-21  
 Clamp-Cable, 1.50Dia 0.75W, 2-37  
 Clamp-Cable, 1.50Dia 1.00W, 3-23  
 Clamp-Cable, 1.50Dia. 1.00W, 2-53  
 Clamp-Cable,.69Dia. 62Wth, 2-21, 3-17  
 Clamp-Conduit, 2 Slot 1.50Dia, 2-53  
 Clamp-Muffler,For 1.62 Od Tube, 2-33  
 Clamp-Wormdrive, 0.25- 0.62D, 2-35  
 Clamp-Wormdrive, 0.31- 0.88D, 2-35, 2-53, 3-17, 3-23  
 Clamp-Wormdrive, 0.81- 1.50D, 2-53, 2-57, 2-103  
 Clamp-Wormdrive, 1.81- 2.75D, 2-29  
 Clamp-Wormdrive, 2.63- 4.50D, 2-57  
 Clamp-Wormdrive, 2-57  
 Clevis,Adjust.0.25-28Th.Cad., 2-23  
 Clip Safety, 2-15  
 Clip, Keeper, Open, 2-21, 2-27  
 Clip, Push On .187 Dia, 2-15  
 Clip-Finger Grip, 3-47  
 Clutch, Over Running, 5-21  
 Coil, 12V, 4-19, 4-21, 4-23, 4-25, 4-27  
 Collar 1, 5-31  
 Collar, Crankshaft, 5-17  
 Collar, Idle Gear 1, 5-15  
 Collar, Idle Gear 2, 5-15  
 Collet, Valve Spring, 5-13  
 Column, Pump, 4-29, 4-31, 4-35  
 Column, Steering #2 10Lg Wire, 2-17  
 Column, 4-33  
 Comp Idle Gear 1, 5-15  
 Comp. Case, Gear, 5-7  
 Comp. Crankshaft, 5-17  
 Comp. Flange, Water, 5-32  
 Comp. Flywheel, 5-19  
 Comp. Lever, Fork 1, 5-31  
 Comp. Lever, Governor, 5-30  
 Comp. Oil Pan (Rear Sump), 5-4  
 Comp. Weight, Governor, 5-28  
 Control Box, Governor, Die (Replaced by 374127), 2-23  
 Cooler, Hyd, 2-75  
 Cord, Glow Plug, 5-23  
 Coupler, Female X Hose Shank, 3-45, 3-46  
 Coupler, Hyd Pump, 2-69  
 Coupling Assy, Flywheel, 2-27  
 Cover Assy, Engine Top, 2-15  
 Cover Assy, Head, Cyl, 5-11  
 Cover Kit, Solution Tank, 2-55  
 Cover Lid, 2-57, 3-17  
 Cover, Bearing Case, 5-9  
 Cover, Breather, 5-11

## CROSS REFERENCE

Cover, Cleanout, 2-59  
Cover, Cylinder Head, 5-10  
Cover, End, 4-39  
Cover, Filler Pocket, 2-15  
Cover, Fork Lever Shaft, 5-31  
Cover, Insert, 2-59  
Cover, Motor, 3-13  
Cover, O-Ring, 4-3  
Cover, Oil Pump, 5-7  
Cover, Recovery Tank, 2-57  
Cover, Rocker Switch Seal, 2-21  
Cover, Solution Tank, 2-55  
Cover, Thermostat, 5-32  
Cover, Tray, 2-101  
Cover, Trunion, 4-3  
Cover, 4-3, 5-7, 5-21, 5-29  
Crank Replmt.Kit,Pump, 4-37  
Crankcase, Complt, 5-3  
Crankcase, 5-3  
Cup Assy, 2-29  
Cushion, Piston, 4-36  
Cylinder Pin Kit, Sqge, 2-105  
Cylinder, Hyd 1.5B 02.8S 2500, 2-89  
Cylinder, Hyd, 2.0b 08.0l 04.00strk 2500, 2-105, 3-21  
Cylinder, Hyd, 2.0b 14.8l 08.00strk 3000, 2-43

### D

Dampner, Engine, 2-27  
Deflector, Fan, 2-51  
Demister Cover W/Label, 2-57  
Detergent Pkg, 4 Liter, Sgl [Tco 665], 2-2, 2-113  
Detergent Tank W/Label, 3-17  
Diode Assy, 2-86  
Diode, Ele, Plug, 2-86, 2-121, 3-23  
Distance Plate, 4-5  
Door Wldt, Brush, Lh, 2-7  
Door Wldt, Brush, Rh, 2-7  
Door, Side, Engine, 2-13  
Dowel Pin, 4-5  
Dowel,Cyl.Block To Flywhl.Hsg., 2-27  
Drain Cock,.25Npt Wh#120 Angl, 2-37  
Drain Kit, Cap, 2-59  
Drain Kit, Oil, Eng, Ci [7400 Kubota], 2-25  
Drive, 4-7, 4-9, 4-10, 4-11, 4-12, 4-13, 4-15  
Drum, Lift Cable, 2-105  
Duct, Vinyl .40X.75X10.0 .25D, 3-3, 3-5  
Duct, Vinyl .40X.75X26.0 .25D, 3-3, 3-5  
Duct, Vinyl .40X.75X3.5 .25D, 3-7, 3-9

### E

E-Ring, External .375 Dia, 2-109  
Element, Breather, 5-10  
Element, Filter, 2-2, 2-75  
Element, Fltr, Fuel [Dn], 2-35  
Element, Fltr, Fuel, 2-2

Element, Safety, 3-49  
End Cap, 4-13  
End Cover, 4-5  
Engine Assy (See Engine Breakdowns), 2-23, 2-25  
Extinguisher Kit 7400, 3-36  
Extinguisher, Fire, 3-36

### F

Fan, Cooling, 14.3d, 6 Blade, 0.5b Taper, 2-39  
Fan, Pusher, 2-39  
Fan, Repair Kit, Reassembly, 2-2, 2-51  
Filter Assy, Air, Molded Ure, 2-113  
Filter Assy, Fuel, Dsl, 2-35  
Filter Assy, Spin-On, 2-75  
Filter Element, Air, 2-2, 2-29  
Filter Wldt, Tray, 2-103  
Filter, Foam, 2-115, 3-33  
Filter, Inline, Pf06/Pf06, 80 Mesh, 2-115, 3-33  
Filter, Oil-oil Pick Up Tube, 5-4  
Filter, Solution, 3-15  
Fitting, Elbow Gr, 4-29, 4-31  
Fitting, Elbow Gr, 4-35  
Fitting, Str Gr, 4-29, 4-31  
Fitting Assy, Orifice [.070b] F/ 1018533, 2-117  
Fitting Assy, Orifice [.093b] F/ 1018467, 2-117  
Fitting Assy, Orifice, 0.070b, Pf04/Pf04, 2-117  
Fitting Assy, Orifice, 0.093b, Pf04/Pf04, 2-117  
Fitting Assy, Sol Control, 2-53  
Fitting, Brs, E90, Cf03/Pf02, 2-113  
Fitting, Brs, E90, Em05/Pm04, 2-35  
Fitting, Brs, E90, Pm04/Bm08, 2-117  
Fitting, Brs, Str, Pf02/Pm04, 2-117  
Fitting, Brs, Str, Pm02/Bm04, 2-113  
Fitting, Brs, Str, Pm04/Bm08, 2-113  
Fitting, Brs, Str, Pm08/Pm08, 3-11  
Fitting, Brs, Tee, Pf04/Pf04/Pf04, 2-117  
Fitting, Bulkhead Fem., 3-11  
Fitting, Elbow Gr, 4-35  
Fitting, Grease .12Nptf-Str, 2-97  
Fitting, Hyd Plg, 2-23, 2-25  
Fitting, Hyd, E90, Jf12/Jm12, 2-23, 2-25  
Fitting, Hyd, E90, Jm04/Om04, L, 2-39  
Fitting, Hyd, E90, Spcl, 2-23  
Fitting, Hyd, Plug, Jm08, 2-25  
Fitting, Hyd, Str, Spcl, 2-23, 2-25  
Fitting, Pipe, Water [Ku], 5-8  
Fitting, Plastic E90 16Bm/12Pm, 2-53  
Fitting, Plastic Str 12Pf/16Pm, 2-55  
Fitting, Plastic Tee 12Bm/12Pm, 2-53  
Fitting, Plastic, Str, 3-11  
Fitting, Plstc, Pipe, Cap, Pf04, 2-113  
Fitting, Plstc, Body, Spray, Pf04, 2-117  
Fitting, Plstc, Cap, Spray, Pf04, 2-117  
Fitting, Plstc, E90, Bm08/Pm06, 2-115, 3-33

Fitting, Plstc, E90, Bm08/Pm12, Nyl, 2-115, 3-33  
Fitting, Plstc, E90, Swivel, Bm08/Pf08s, 2-115, 2-117, 3-33  
Fitting, Plstc, Rst, .50 Od/.125 Id, 3-33  
Fitting, Plstc, Str, Bm04, Cplg, Fem, 2-113  
Fitting, Plstc, Str, Bm08/Pm04 Nyl, 2-117  
Fitting, Plstc, Str, Bm08/Pm04, Nyl, 2-117  
Fitting, Plstc, Str, Bm08/Pm06, 2-115, 3-33  
Fitting, Plstc, Str, Bm08/Pm12, 2-115, 3-33  
Fitting, Plstc, Str, Pm04, Cplg, Mal, 2-113  
Fitting, Plstc, Str, 4-35  
Fitting, Plstc, Tee, Bm08/Bm04/Bm08, 2-113  
Fitting, Plstc, Tee, Bm08/Bm08/Bm08, 2-117  
Fitting, Plstc, Y, Bm08/Bm08/Bm08 Nyl, 2-117, 3-33  
Fitting, Plug, O-Ring, 4-39  
Fitting, Plug, Valve, Hyd, 4-27  
Fitting, Special, Y, Tank, 2-57  
Fitting-Barb, Strt 3/8 Id Hose, 3-17  
Fitting-Barb,90Deg,3/8 Id Hose, 3-17  
Fitting-Brs Str, 3-11  
Fitting-Brs, 3-11  
Fitting-Hyd E45, 2-73  
Fitting-Hyd E90, 2-71, 3-25, 3-27  
Fitting-Plastic E45 12Pf-12Pf, 3-13, 3-15  
Fitting-Pls E90, 3-11  
Fitting, 4-33  
Flange Kit, 4-5  
Flange Mounting, 4-10, 4-11, 4-12, 4-13  
Flange Wldt, Mtg, Guard, 2-31  
Flange, Pump, Water [Ku], 5-8  
Flange, Sleeve, 5-27  
Flap,Containment, 2-51  
Flapper, Valve, 4-29, 4-31, 4-33, 4-35  
Flasher, 12vdc [Hd552ps83], 3-19  
Float Bottle, 2-57, 3-11  
Frame Wldt, Main, 2-5  
Frame Wldt, Sq Lh, 2-95  
Frame Wldt, Sq Rh, 2-99  
Frame, Drive End, 5-21  
Frame, End, 5-21  
Ftg Brs E90, 3-11  
Ftg Qkdisc, Male, 3-11  
Ftg, Grease.25-28Th Strt .63L, 2-43  
Ftg, Plastic Str Barb.25H/.50H, 3-23  
Ftg,Brass,E90,Barb.12Pt-.25Hse, 2-35  
Ftg,Brs Tee Pf08 Pf Pf, 3-11  
Ftg,Plstc .5Barb .5Pf, 4-29, 4-31  
Ftg,Plstc,Cplg,Barb.75Pt-.50Hs, 2-53  
Ftg,Plstc,Elb,Barb.75Pt-.50Hse, 2-53  
Ftg,Plstc,Nip. 0.75Ptx 1.68Lg, 2-55, 3-13, 3-15  
Ftg,Plstc,Tee,.75-.75-.75Pipe, 2-53  
Ftg-Brs E45 Pm02/Pf02, 2-23, 2-25



Ftg-Brs E90 Bm05/Pm02, 2-35  
 Ftg-Brs E90 lf05/Pm02, 2-35  
 Ftg-Brs, 2-35  
 Ftg-E45 Jm08/Om08, 2-73  
 Ftg-Hyd E45 Jm04/Om04, 2-43, 2-105, 3-25, 3-27  
 Ftg-Hyd E45 Jm06/Om06, 3-25, 3-27  
 Ftg-Hyd E45 Jm10/Jf10, 2-69  
 Ftg-Hyd E45, 2-69  
 Ftg-Hyd E90 Jm04/Jf04, 2-93  
 Ftg-Hyd E90 Jm04/Om04, 2-51, 2-71, 2-89, 2-105, 3-21, 3-25, 3-27  
 Ftg-Hyd E90 Jm06/Om04, 3-21  
 Ftg-Hyd E90 Jm06/Om06, 2-43, 3-25, 3-27  
 Ftg-Hyd E90 Jm06/Om08, 2-39, 2-69  
 Ftg-Hyd E90 Jm08/Om08, 2-71, 2-93  
 Ftg-Hyd E90 Jm08/Om10, 2-51, 3-23  
 Ftg-Hyd E90 Jm10/Om12, 2-69  
 Ftg-Hyd E90 Jm12/Om12, 2-75  
 Ftg-Hyd E90 Pm04/Jm04, 2-35  
 Ftg-Hyd Plg Om10, 2-73  
 Ftg-Hyd Rst Jm04/.063, 2-105  
 Ftg-Hyd Str Jm04/Om04, 2-93, 3-25, 3-27  
 Ftg-Hyd Str Jm06/Om04, 3-21  
 Ftg-Hyd Str Jm06/Om06, 2-17, 2-71, 2-73, 3-25, 3-27  
 Ftg-Hyd Str Jm06/Om08, 2-39, 2-69  
 Ftg-Hyd Str Jm08/Om08, 2-69, 2-71, 2-93, 3-25  
 Ftg-Hyd Str Jm08/Om10, 2-51, 2-69  
 Ftg-Hyd Str Jm10/Om12, 2-43, 2-69  
 Ftg-Hyd Str Jm12/Om12, 2-71, 2-73, 2-75  
 Ftg-Hyd Str Jm20/Om16, 2-69  
 Ftg-Hyd Str, 2-35  
 Ftg-Hyd Tee Jm04Jmjf, 2-93  
 Ftg-Hyd Tee Jm04Omjm, 2-73  
 Ftg-Hyd Tee Jm06Jfjm, 2-69  
 Ftg-Hyd Tee Jm06Jmjf, 2-69, 3-25, 3-27  
 Ftg-Hyd Tee Jm08Jmjf, 3-25, 3-27  
 Ftg-Plug Npt 02Pm Sq Hd, 2-35  
 Ftg-Plug Npt 12Pm Rd Hd Plstc., 2-55, 2-57  
 Fuel Pump Cover Plate, 5-25  
 Fuse, 40 Amp, 2-21

**G**

Gasket Cap, 2-59  
 Gasket Ku, 5-12  
 Gasket Lid, 2-59  
 Gasket Set, Lower, 5-4  
 Gasket Set, Tank, 2-61  
 Gasket Set, Upper, 5-5  
 Gasket, .19, 2.00id 5.38od [Buna], 3-45, 3-46  
 Gasket, .19, 4.05id 5.29od [Buna], 2-57, 2-59, 3-17, 4-29, 4-31, 4-33, 4-35  
 Gasket, 2.7D 1.5B.12T 5/ 2.1Bc, 2-35  
 Gasket, Bearing Case Cover, 5-9  
 Gasket, Bearing Case, 5-9

Gasket, Check Valve, 2-55, 4-29, 4-31, 4-35  
 Gasket, Cover, Head, Cyl [Ku], 5-11  
 Gasket, Cover, 2-55  
 Gasket, Cylinder Head, 5-5  
 Gasket, Delivery Valve, 5-27  
 Gasket, Drain Cap, 2-59  
 Gasket, Ex-manifold, 5-12  
 Gasket, F/Bolt [Ku] 15951-96661, 5-11  
 Gasket, Fuel Pump, 5-25  
 Gasket, Gear Case, 5-7  
 Gasket, Head Cover, 5-10  
 Gasket, Hyd Cap, 2-73  
 Gasket, In-manifold, 5-12  
 Gasket, Manifold, Intake [Ku], 5-12  
 Gasket, Oil Pan, 5-4  
 Gasket, Sender, Fuel, 2-35  
 Gasket, Solenoid, Throttle [Ku] 16299, 2-25  
 Gasket, Thermostat, 5-32  
 Gasket, Thrtl Blk, 5-29  
 Gasket, Water Flange, 5-32  
 Gasket, 2-55, 2-57, 4-33, 5-3, 5-10, 5-23, 5-27, 5-29, 5-30, 5-31  
 Gauge, Oil, 5-4  
 Gear Motor Assy, 4-37  
 Gear, Camshaft, 5-15  
 Gear, Crankshaft, 5-17  
 Gear, Governor, 5-28  
 Gear, Injection Pump, 5-28  
 Gear, Oil Pump Drive, 5-17  
 Gear, Ring, 5-19  
 Gear, 5-21  
 Geroler, 4-7, 4-9  
 Gerotor Assy, 4-10, 4-11, 4-12  
 Gerotor Set, 4-13  
 Gerotor, 4-15  
 Grill Wldt, 2-75  
 Grommet Rbr 0.25ld For .09Matl, 2-15, 2-21  
 Grommet, Detergent Tank, 3-17  
 Grommet,Rbr,0.56ld,For .13Matl, 3-3, 3-5, 3-7, 3-9, 3-19  
 Grommet,Rbr,1.00ld,For .12Matl, 2-37  
 Guard Kit, Overhead, 3-35  
 Guard Wldt, Lights, Revl&Flsh, 3-7, 3-9  
 Guard Wldt, Oh, Top, 3-35  
 Guard Wldt, Sqge, S Br, 3-23  
 Guard, Belt, Die, 2-31  
 Guard, Intake, 2-29  
 Guide Assy, Oil Gauge, 5-4  
 Guide, Exhaust Valve, 5-5  
 Guide, Inlet Valve, 5-5  
 Guide, Side Squeegee, 2-95, 2-99

**H**

Handle Lift Brush, 2-17  
 Harness [7400/8410 Fast Update], 2-121  
 Harness, Back Up Alarm, 3-19  
 Harness, Jumper [Fast 7400], 2-121  
 Harness, Jumper, Pump [7400/8410], 3-15

Harness, Main D 7400, 2-86  
 Harness, Revol Light, 3-7, 3-9  
 Harness, Revolv Light, Cab,Ohg, 3-3, 3-5  
 Head, Cyl [Ku], 5-5  
 Head, Cyl, W/O Valve [Ku], 5-5  
 Headlight, 12vdc, 50watt . A , 2-11  
 Hinge, Hood, 2-11  
 Hinge, Seat, 2-9  
 Holder Assembly, Nozzle, 5-23  
 Holder, Delivery Valve, 5-27  
 Holder, Governor Gear, 5-28  
 Holder,, 5-28  
 Hood, Front, Lpg, 2-11  
 Hood, Front, 2-11  
 Hook, Engine 1, 5-5  
 Hook, Engine 2, 5-5  
 Horn, 12 Volt, 2-21  
 Horn, Back-Up Alarm, 3-19  
 Hose Assembly, Drain, 2-59  
 Hose Assy, W/1cuff, 1.5d 120l 1.5, 3-45, 3-46  
 Hose Assy, Wand Kit, 3-47  
 Hose Vinyl Cl.,.038 ldx31.00Lg, 3-17  
 Hose Vinyl Cl.,.050 ldx15.0 Lg, 3-23  
 Hose, 3.0 Dia Squeegee, 2-2, 2-57  
 Hose, 1.0 Dia Tray, 2-57  
 Hose, Afmkt, Pvc, Brd 0.50id 1ft, 2-113, 2-115, 2-117, 3-33  
 Hose, Afmkt, Pvc, Brd 0.50id 2ft, 2-117  
 Hose, Afmkt, Pvc, Brd 0.50id 3ft, 2-115, 3-33  
 Hose, Afmkt, Pvc, Clr 0.25id 1ft, 2-113  
 Hose, Afmkt, Pvc, Clr 0.25id 2ft, 2-113  
 Hose, Afmkt, Pvc, Clr 0.25id 3ft, 2-113  
 Hose, Afmkt, Pvc, Clr 0.50id 2ft, 3-33  
 Hose, Afmkt, Pvc, Wire 0.50id 1ft, 2-117  
 Hose, Air Cleaner, Outlet, 2-29  
 Hose, Air Intake, Flex, 2-29  
 Hose, Crossover, 2-55  
 Hose, Drain, Assy, 0.31id X 24.3l, Pvc, 2-59  
 Hose, Fuel Line .31 ldx14.0, 2-35  
 Hose, Fuel, .188ld X.360L, 2-35  
 Hose, Fuel, 0.50 ld 34.0L, 2-35  
 Hose, Fuelline, 10.0L, 2-35  
 Hose, Hyd,Low08, Jf08str /Jf08e90 , 19.0, 2-25  
 Hose, Moldedair Intake, 2-29  
 Hose, Pump, 3-13  
 Hose, Pvc, .50ldx.73Od 34.0Lg, 3-23  
 Hose, Pvc, Brd, 0.62id 0.88od 18.00l, 3-15  
 Hose, Radiator, Lower, Diesel, 2-37  
 Hose, Radiator, Upper, Diesel, 2-37  
 Hose, Radiator, 2-37  
 Hose, Recvy, Coolant, 0.31id X 60l, 2-37  
 Hose, Vacuum 4.0, 2-2, 2-51  
 Hose, Vacuum, Tray, 2-2, 2-103  
 Hose, Vinyl Clear .62ld x 88, 3-11  
 Hose, Vinyl Clr .501Dx1.0LNg, 2-53  
 Hose, Vinyl Clr, .62ldx 18.0Lg, 3-11  
 Hose, Vinyl Clr, .62ldx 63.0Lg, 3-11  
 Hose, Vinyl Clr, .75ld x 58.0Lg, 3-11

## CROSS REFERENCE

Hose, Vinyl Clr, .75ld x 65.0Lg, 3-11  
Hose, Vinyl, Cl Nyre .38ldx21L, 3-17  
Hose, Vinyl, Clear Nylon Reinf, 3-17  
Hose, Vinyl, Clear, 2-53, 4-33  
Hose-Hyd Ar 04 Jf/J4, 3-29, 3-31  
Hose-Hyd Ar 04, 2-67  
Hose-Hyd Ar 08, 2-67  
Hose-Hyd Ar08, 2-67, 3-29, 3-31  
Hose-Hyd Ar10, 2-67  
Hose-Hyd Low12 Jf/Jf, 2-23, 2-25  
Hose-Hyd Med04 Jf/J9, 2-67  
Hose-Hyd Med04 Jf/Jf, 2-67  
Hose-Hyd Med04, 2-67, 3-29, 3-31  
Hose-Hyd Med06 Jf/J4, 3-29, 3-31  
Hose-Hyd Med06 Jf/J9, 3-29, 3-31  
Hose-Hyd Med06 Jf/Jf, 2-67  
Hose-Hyd Med06, 2-67, 3-29, 3-31  
Hose-Hyd Med08 Jf/J9, 2-67  
Hose-Hyd Med12 Jf/J9, 2-67  
Hose-Hyd Med12, 2-67  
Hose-Hyd Suc20, 2-67  
Hose-Hyd, 2-67  
Housing Assy, Nozzle, 5-23  
Housing Assy,, 4-7, 4-9  
Housing Wldt, Bearing Lh, 2-89  
Housing Wldt, Bearing Rh, 2-89  
Housing Wldt, Side Brush, 3-23  
Housing Wldt, Vac Fan, 2-51  
Housing, Brg, 4-7, 4-9  
Housing, Brush, 2-91  
Housing, Flywheel, 2-27  
Housing, Support, Wheel, 2-43  
Housing, Vac Fan W/Label, 2-51  
Housing, 4-10, 4-11, 4-12, 4-39  
Housingl, 4-13  
Hub & Stud, 2-43  
Hub Assy, Mounting, Brush, 2-89  
Hub, Drive, Brush, Disk, 1.00b 6t, 3-23  
Hub, Drive, Brush, Disk, 3hole 5.8bc[6t],  
2-3  
Hub, Mounting, Fan, 2-39

### I

Impeller 9.5 Dia. 18 Blade Mac, 2-51  
Impeller, Water Pump, 5-8  
Indicator Service Air Filter, 2-29  
Insert, Cap, 4-35  
Insert, Plate, Cam, Pump, Hyd, 4-39  
Instr. Motor Seal Kit F-74147, 4-17  
Instr. Repair Info, Motor, 4-7, 4-9, 4-10,  
4-11, 4-12, 4-13  
Instr.Repair Info, 4-15  
Instr, Repair, Pump, 4-39  
Insulation, Acoustic, Seat, 2-9  
Insulation, S/Foam, 2-5, 2-9, 2-13, 2-15  
Isolator-Vibration .31-18, 2-75  
Isolator-Vibration,125Lb.Ratng, 2-33,  
2-37, 2-39, 2-49, 2-51, 2-71, 2-73,  
3-25, 3-27

### J

Joint, Breather Pipe, 5-10  
Joint, Pipe, 5-7

### K

Key Set,Switch, 2-21  
Key Square 0.12 0.12 00.50 Lg, 4-17  
Key Square 0.12 0.12 01.00 Lg, 4-16  
Key Square 0.25 0.25 01.25 Lg, 2-97  
Key, Feather, 5-15  
Key, Shaft, Pump, Hyd, 4-39  
Key, Woodruff, 5-28  
Key-Wodruff 0.25 1.00, 4-10, 4-11, 4-12,  
4-13  
Key, 4-3, 4-7, 4-9, 5-17  
Kit, Air Filter, Heavy Duty, 3-49  
Kit, Ball & Seal, 3-45, 3-46  
Kit, Brush, 4-33  
Kit, Ci, Actuator, Govnr, Dsl, 2-23  
Kit, Ci, Alarm, Backup, 3-19  
Kit, Ftg, Garden Hose, 3-11  
Kit, Repair, Linkage, Squeegee, 2-107  
Kit, Replacement, Armrest, 2-9  
Kit, Replmt, Control, Govnr, [All Purps],  
2-23, 2-25  
Kit, Rotating, Pump, Hyd, 4-39  
Kit, Seal, Hyd, Pump, 4-39  
Kit, Shim, 4-39  
Kit, Valve Handle, 3-45, 3-46  
Knob, Caster, 2-111  
Knob, Hood, 2-11

### L

Label [Nfsi Certification], 2-122  
Label Set, Info & Hzd 7400, 2-122  
Label Set, Operational, 2-122  
Label Set, Opertnl [7400 Fast], 2-121  
Label, Attention Fast Users, 2-55  
Label, Fast, 2-122  
Label, Numerals 7400, 2-122  
Label, Tennant Logo, 2-11  
Lamp Strobe, Amb, 12-80 Vdc, 3-5, 3-9  
Lamp, Bulb, Lamp, Flsh, 3-3, 3-7  
Lamp, Bulb, Lamp, Strobe, 3-5, 3-9  
Latch Kit, Door, Engine, 2-13  
Latch, Bolt, 2-7, 2-11, 2-15, 2-101  
Latch, Door, 2-13  
Latch, Elastic, 2-75, 3-48  
Latch, Engine Door, Side, 2-55  
Latch, Hook, Lh, 2-7, 2-101  
Latch, Hook, Rh, 2-7  
Latch, Hook, 2-11  
Latch, 2-15  
Lens, Lamp, Amb, Strobe/Flasher, 3-3,  
3-5, 3-7, 3-9  
Lens,Flashing Lite Fr207 Amber, 3-3, 3-7  
Lens,Flashing Lite Fr207 Blue, 3-3, 3-7  
Lens,Flashing Lite Fr207 Red, 3-3, 3-7  
Lens,Rev.Light,Amber, 3-5, 3-9  
Lens,Rev.Light,Blue, 3-5, 3-9

Lens,Rev.Light,Red, 3-5, 3-9  
Level Sensing Assy, Es, 3-11  
Level Sensing Assy, 2-57  
Lever Governor Actuator, 2-23  
Lever, Engine Stop, 5-30  
Lever, Fork 2, 5-31  
Lever, Speed Control, 5-30  
Light Kit Flsh Lrc, 3-7  
Light Kit Flsh Ohg, 3-3  
Light Kit Revl Lrc, 3-9  
Light Kit Revl Ohg, 3-5  
Light, Backup 12V, 3-19  
Light, Flashing, Amber, 12V-Re, 3-3, 3-7  
Light, Flsh, Amb, 12-48 Vdc, 3-3, 3-7  
Light,Rev.Amber 12V, 3-5, 3-9  
Lintel Wldt W/Label, 2-5  
Lintel Wldt, Hood, 2-5  
Lintel Wldt, Rear, Rh, 2-5  
Lintel Wldt, W/ Label [7400], 2-5

### M

Magnet, Pick-Up, 2-27  
Manifold Assy, Inlet, 5-12  
Manifold, Exhaust, Front, Down, 5-12  
Manifold, Inlet, 5-12  
Manual Pkg 7400D, Japanese, 3-50  
Manual Pkg 7400D, 3-50  
Manual, Cd-Rom, Oprtr & Parts, All  
(NA), 3-50  
Manual, Eng, Kubo [V1505E], 3-50  
Manual, OP/MT 7400, French, 3-50  
Manual, OP/MT 7400, Spanish, 3-50  
Manual, Service, 3-50  
Metal, Crankpin 02, 5-17  
Metal, Crankpin 04, 5-17  
Metal, Crankpin, 5-17  
Metal, Crankshaft 1, 5-17  
Metal, Crankshaft 2, 5-17  
Metal, Crankshaft 3, 5-17  
Metal, Crankshaft1 02, 5-17  
Metal, Crankshaft1 04, 5-17  
Metal, Crankshaft2 02, 5-17  
Metal, Crankshaft2 04, 5-17  
Metal, Crankshaft3 02, 5-17  
Metal, Crankshaft3 04, 5-17  
Metal, Side 1 02, 5-17  
Metal, Side 1 04, 5-17  
Metal, Side 1, 5-17  
Metal, Side 2 02, 5-17  
Metal, Side 2 04, 5-17  
Metal, Side 2, 5-17  
Molding, Trim 11-14Ga 20.0, 2-9  
Molding, Trim 11-14Ga 116.0, 2-11  
Molding, Trim 11-14Ga 5.00, 3-23  
Motor 12V Dc, 4-29, 4-31, 4-33, 4-35  
Motor, Hyd Gear (See Breakdowns)  
(Replaced by 369820), 3-23  
Motor, Hyd Gear (See Breakdowns)  
(Replaced by 377350), 3-23  
Motor, Hyd Gear (See Breakdowns)  
(Replaced by 378710), 2-43

Motor, Hyd Gear (See Breakdowns),  
2-39, 2-43, 2-51, 3-23  
Motor, Hyd Gear Ex 0.13 L 3000, 4-16  
Motor, Hyd Gear In 04.5 R 1500, 4-10,  
4-11, 4-12  
Motor, Hyd Gear In 4.5 B 1500 (See  
Breakdowns), 2-93  
Motor, Hyd Gear In 4.5 B 1500, 4-13  
Motor, Hyd Gear, 4-7, 4-9, 4-17  
Muffler-Exh, Ovl, To 112Cu Eng, 2-33

**N**

Nozzle, Plastic Wand 14.0 Lg, 3-47  
Nut Hx Std Ss .38-16, 2-107  
Nut Hx Std Ss M10X1.5, 2-89  
Nut Hx Std Ss M12X1.75, 2-7  
Nut Hx, Jam M10X 1.5Ss, 2-107  
Nut Hxlocnyln .38-24 Reg5518-8, 2-89  
Nut Hxlocnyln M 6X1.0 Reg Ss, 2-53,  
2-103, 2-107, 3-19, 3-23  
Nut Wheel .50-20 60 Angle, 2-43  
Nut, Cap, 5-10, 5-25, 5-28, 5-29  
Nut, Cart., Lng, 4-19, 4-21, 4-23, 4-25,  
4-27  
Nut, Cart, 4-19, 4-21, 4-23, 4-25, 4-27  
Nut, Hex, Cap [Ku] 15952-92331, 5-11  
Nut, Hex, Flng, .25-20, 3-3, 3-5  
Nut, Hex, Flng, M6 X 1.0, 2-35  
Nut, Hex, Flng, M8 X 1.25, 2-5, 2-35,  
2-37, 3-7, 3-9  
Nut, Hex, Jam, .25-28, 2-49  
Nut, Hex, Jam, .38-24, Lh, 2-89  
Nut, Hex, Jam, .38-24, 2-89  
Nut, Hex, Lock, .25-20, Ni, 2-35, 2-49  
Nut, Hex, Lock, .25-28, Ni, 2-49  
Nut, Hex, Lock, .38-24, Ni, Ss, 2-107  
Nut, Hex, Lock, M 6 X 1.0, Ni, 2-37  
Nut, Hex, Lock, M 8 X 1.25 Ni, 2-69  
Nut, Hex, Lock, M10 X 1.5, Ni, 2-37,  
2-39, 2-49  
Nut, Hex, Lock, M4 X 0.7, Ni, 3-3, 3-5,  
3-7, 3-9  
Nut, Hex, Lock, M5 X 0.8, Ni, 2-25  
Nut, Hex, Lock, M6 X 1.0, Ss, Ni, 2-115,  
3-33  
Nut, Hex, Lock, M6 X 1.00, Ni, 2-11  
Nut, Hex, Lock, M8 X 1.25, Ni, 2-39,  
2-113  
Nut, Hex, M08 X 1.25, 2-33  
Nut, Hex, Std, .25-28, 2-49  
Nut, Hex, Std, .31-18, 2-75  
Nut, Hex, Std, .38-24, Ss, 2-107  
Nut, Hex, Std, M12 X 1.75, Ss, 2-11,  
2-101  
Nut, Hex, Std, M20 X 2.5, 2-93, 2-97  
Nut, Hexagon, 5-21  
Nut, Hxlocnyln .75-10, 2-43  
Nut, U M5 X 0.8, 2-11  
Nut, Wing .44-20 Special, 2-29  
Nut-Hex Slot 1.12-18, 2-43  
Nut-Hx Jam 1.00-14 Pltd, 3-11  
Nut-Hx Jam .50-13 Ss, 2-49

Nut-Hx Jam .50-20 Left Pltd, 2-45  
Nut-Hx Jam M20 X 1.5 4 Pltd, 2-17  
Nut-Hxlocnyln .38-16 Regss18-8,  
2-107, 3-21  
Nut-Hxlocnyln .50-13 Regss18-8, 2-2,  
2-111  
Nut-Hxlocnyln M 10X1.5 Reg Ss, 2-75  
Nut-Hxlocnyln M 5X0.8 Reg 18-8, 2-53,  
2-59  
Nut-Hxlocnyln M 8X1.25 Reg Ss, 2-5,  
2-37, 2-45, 2-49, 2-89, 2-111  
Nut-Hxlocnyln M10X1.5 Reg 18-8, 2-91,  
2-95, 2-99, 2-107, 2-109  
Nut-Hxlocnyln M10X1.5 Reg Ss, 2-105  
Nut-Hxlocnyln M5X0.8 Reg Ss, 3-17  
Nut-Hxlocnyln M6X1.0 Reg Ss, 2-47  
Nut-Hxlocnylnmm12X1.75 Reg Ss, 2-101  
Nut-Hxslot .75-16 Pltd, 4-13  
Nut-Hxslot 1.00-20 Pltd, 2-45  
Nut-Hxslot M20X2.5 8 Pltd, 2-97  
Nut-Low Crown .50-20 Pltd, 2-51  
Nut-Low Crown .31-18 Pltd, 2-9  
Nut-Wing .31-18 Pltd, 2-41  
Nut, 4-7, 4-9, 5-7, 5-12, 5-13, 5-25, 5-29,  
5-30, 5-32

**O**

O-Ring Gland, 2-69  
O-Ring, 5-3, 5-4, 5-5, 5-7, 5-10, 5-17,  
5-21, 5-27, 5-30  
Oil Cartridge, 2-2  
Oil Filter, Plug, 5-7  
Oil Shield, Breather, 5-10

**P**

Pad, Neoprene, 2-107  
Pad, Tread, 2-49  
Pad, 2-47  
Panel Assy, Instr W/Label, 2-9  
Panel Wldt, Filler, 2-7  
Panel, Instmt, W/ Label [7400 Gm1.6],  
2-9  
Panel, MTG, Hose, 3-47  
Panel, Seat, Rh, 2-9  
Panel, Seat, Top, 2-9  
Panel, Shroud, Radiator, 2-37  
Panel, Tilt, Lh, 2-17  
Panel, Tilt, Rh, 2-17  
Panel, Transition, 2-39  
Pedal, Brake Lock Ec, 2-47  
Pedal, Lower, Propel, 2-49  
Pedal, Upper, 2-49  
Performance Pkg 400Hr Diesel, 2-2  
Pin Wldt, Front, 2-109  
Pin Wldt, Rear, 2-109  
Pin Wldt, S Br, 3-21  
Pin, Clamp, 5-27  
Pin, Clevis .31 Dia X 4.50 Lg, 2-49  
Pin, Clevis .31D X 2.5L, 2-111  
Pin, Clevis .50 Dia X 4.50 Lg, 2-49

Pin, Clevis 10D X 50L, 2-89  
Pin, Clevis, 0.50Dia. X3.50Lg, 2-105  
Pin, Clevis, 0.25 Dia X 2.44 Lg, 2-105  
Pin, Cotter, .125 X 1.00, 2-93, 2-97  
Pin, Dowel, .50, 3.5L, 2-89  
Pin, Dowel, 0.5002 D X 1.50 L, 2-89  
Pin, Dowel, Pump, Hyd, 4-39  
Pin, Dowel, 4-3  
Pin, Guide, 2-91  
Pin, Hair Cotter, 2-91  
Pin, Hair Cotter .38D .072 Wire, 2-49  
Pin, Hair Cotter, 0.69 D .092 Wir, 2-95,  
2-99  
Pin, Hitch, .19Dia X 3.44 L, 2-109  
Pin, Joint, 5-27  
Pin, Pipe, 5-3  
Pin, Piston, 5-17  
Pin, Spring, 5-30  
Pin, Start Spring, 5-3  
Pin, Straight, 5-3  
Pin, Tappet Guide, 5-27  
Pin, Clevis, 0.19 Dia. X 0.62 Lg, 2-105  
Pin, Clevis, 0.25 Dia. X 0.75 Lg, 2-23  
Pin, Clevis, 0.31 Dia X 1.00 Lg, 2-95, 2-99  
Pin, Clevis, 0.37 Dia. X 0.75 Lg, 2-95, 2-99  
Pin, Clevis, 0.37 Dia. X 1.00 Lg, 2-45  
Pin, Clevis, 0.50 Dia. X 1.42 Lg, 2-45, 3-21  
Pin, Clevis, 0.50 Dia. X 1.87 Lg, 3-21  
Pin, Clevis, 0.50 Dia. X 2.00 Lg, 2-105  
Pin, Clevis, 0.50 Dia. X 2.50 Lg, 2-105  
Pin, Support Wheel, Bar, 2-43  
Pin, 2-109, 4-15  
Pipe, Breather [Ku], 5-12  
Pipe, Breather, 5-10  
Pipe, Drain, 5-21  
Pipe, Exhaust, Die, 2-33  
Pipe, Injection 1, 5-23  
Pipe, Injection 2, 5-23  
Pipe, Injection 3, 5-23  
Pipe, Injection 4, 5-23  
Pipe, Over Flow, 5-23  
Pipe, Water Return 1, 5-8, 5-32  
Pipe, Water Return 2, 5-32  
Pipe, Water, 5-11  
Piston 05, 5-17  
Piston, 5-17  
Pivot Wldt, Side Brush, 3-21  
Pivot Wldt, Tray, 2-101  
Pivot, Flanged, 2-75  
Plate - Hose Support, 2-43  
Plate Bent, 3-11  
Plate Wldt, Stiffener, Ss, 2-53  
Plate, Backup Alarm, 3-19  
Plate, Cam, 4-39  
Plate, Cover, 2-101, 4-39  
Plate, Element 1, 5-10  
Plate, Element 2, 5-10  
Plate, Filler, 2-5  
Plate, Floor, 2-9  
Plate, Governor, 2-23, 2-25  
Plate, Light Mtg., 3-3, 3-5  
Plate, Mount, Steering Boot, 2-17  
Plate, Mounting, Brush, 2-93

## CROSS REFERENCE

Plate, Mtg, Brush, 2-97  
Plate, Orifice, 0.070id, 2-117  
Plate, Orifice, 0.093id, 2-117  
Plate, Pin Retaining, S Br, 3-21  
Plate, Support, 2-103  
Plate, Valve, Pump, Hyd, 4-39  
Plate, Valve, 4-3, 4-7, 4-9  
Plate, Wear, 4-15  
Plate, 5-27  
Plug #10, 4-13, 4-19, 4-23  
Plug #2, 4-19, 4-21, 4-23, 4-25, 4-27, 4-36  
Plug #4, 4-7, 4-9, 4-13, 4-19, 4-21, 4-23, 4-25, 4-27  
Plug #8, 4-19, 4-21, 4-23, 4-25  
Plug Assembly, 4-7, 4-9, 4-15  
Plug Gage #6, 4-19, 4-21, 4-23, 4-25, 4-36  
Plug S-A, 4-3  
Plug Wldt, Brush Drive, 2-93, 2-97  
Plug, Cap, Check Valve, 2-55  
Plug, Control Box, 2-23  
Plug, Expansion, 5-3  
Plug, Float, 2-57, 3-11  
Plug, Glow, 5-23  
Plug, Oil Filler, 5-10  
Plug, Orifice Cp, 4-19, 4-21, 4-23, 4-25  
Plug, Panl, Switch, 2-21  
Plug, 5-3, 5-5, 5-7, 5-32  
Plugbtn .56H .03-.12 Blacknyl, 2-21  
Plunger, Pump, 5-27  
Plunger, Spring .38-16, 3-47  
Pos Sol Ctrl Dm Sys Kit Std, 3-45  
Pos Sol Ctrl Dm Sys Kit, Es, 3-46  
Pulley, Alternator, 2-31  
Pulley, Cable, 1.5d, Nyl, 2-45  
Pulley, Fan Drive, 112mm, 5-17  
Pully, Fan, 5-8  
Pump Assy, Column, Es (See Breakdowns), 3-15  
Pump Assy, Column, Es, 4-35  
Pump Body Kit, 4-29, 4-31, 4-33, 4-35  
Pump Housing Assy, 4-3  
Pump Kit, Sec#1, 4-5  
Pump Kit, Sec#2, 4-5  
Pump Kit, Sec#3, 4-5  
Pump Shaft, 4-35  
Pump, Air, Ele, 12vdc, 2-113  
Pump, Column, Es (See Breakdowns) (Replaced by 377422), 3-15  
Pump, Column, Es(See Breakdowns)(Replaced by 379005), 3-13  
Pump, Column, Es(See Breakdowns)(Replaced by 81954), 3-13  
Pump, Column, Es, 4-29, 4-31  
Pump, Detergent Metering (See Breakdowns), 3-17  
Pump, Detergent Metering, 4-37  
Pump, Detgt, 12vdc [560s], 2-113  
Pump, Fuel, 2-35  
Pump, Hyd (See Breakdowns), 2-69

Pump, Hyd Piston [V] 1.24 [R] 4000 (See Breakdowns), 2-69  
Pump, Hyd Piston V 1.24 R 4000 (See Breakdowns), 2-69  
Pump, Hyd Piston V 1.24 R 4000, 4-3  
Pump, Hyd, Piston [V] 1.24 [R] 4000, 4-39  
Pump, Hyd, 4-5  
Pump, Soltn, Ele, 12vdc [W/O Chk Valve], 2-117  
Pump, Soltn, Ele, 12vdc, 2-117  
Pump, Water, 4-33  
Push Rod, 5-15

## R

Race Thrust, 4-10, 4-11, 4-12, 4-13  
Race, Bearing, Pump, Hyd, 4-39  
Race, Bearing, 4-3  
Race, Inner Bearing, 4-3  
Rack, Control, 5-27  
Radiator, F/1018059 Afmkt, 2-37  
Rectifier, 2-31  
Regulator, 2-31  
Relay, 12vdc, 40a, Spdt N/O [Potter], 2-121  
Relay, Shrouded, 12 Vdc, 2-21  
Relief Valve, 4-3  
Relief Vlv Assy, 4-15  
Repair Info., 4-16  
Repair Info, Pump, 4-3  
Repl Kit, Muffler F/70214, 2-33  
Replacement Kit, Drive Housing, 2-43  
Replm Kit, Cir Board, 2-19  
Replm Kit, Instr.Panel, 2-19  
Replm Kit, Recovery Tnk, 2-57  
Replm Kit, Solution Tnk, 2-55  
Replm Kit, Touch Panel, 2-19  
Replmt Kit, Case, 2-19  
Replmt Kit, Lamp, Backlighting (8), 2-19  
Replmt Kit, Lamp, Fault (8), 2-19  
Replmt Kit, Seal., 2-19  
Reservoir, Hyd 10.0Gal, 2-73  
Resistor Assy W / 5 Pin Plug, 2-121  
Retainer, Frt, 4-7, 4-9  
Retainer, Gasket, 4-29, 4-31  
Retainer, Side Brush, 3-23  
Retainer, Skirt, Brush, 2-91  
Retainer, Squeegee, 2-95, 2-99, 3-23  
Retainer, Valve Spring, 5-13  
Retainer, 2-109, 5-21  
Ring Retain Ex, 0.75D, 2-59  
Ring, Retain, Ex0.50Od,Heavydt, 2-17  
Ring, Retain,Ex,0.62Od,Heavydt, 2-107  
Ring, Retaining, Pump, Hyd, 4-39  
Ring, Retaining, 4-15  
Ring, Retining, 4-39  
Ring,Retain,Ex,0.375D,Klipring, 2-111  
Ring,Retain,Ex,0.98Od,E-Ring, 2-47, 2-93, 2-97  
Ring,Retain,Ex,1.00Od,Basic, 2-97  
Ring, 4-7, 4-9  
Rivet, Plastic .250D X .898, 2-17, 2-29

Rivet, Plastic .250Dx.898, 2-9, 2-21  
Rivet, Plstc, .250d X 0.898, 2-121  
Rivet, Pop-.125Dx.44X.25Dhd Al, 3-48  
Rod End .375-24 Lh W/Stud, 2-89  
Rod End .375-24 W/Stud, 2-89  
Rod End .250-28 .25Dia, 2-49  
Rod End M10 X1.5 W/Stud, 2-107  
Rod, 3/8-24 Rh/Lh Thread, 2-89  
Rod, Cntrl, Throttle, .25D Dsl, 2-23  
Rod, Hood Release, 2-11  
Rod, Latch, Engine Cover, 2-15  
Rod, Latch, Steering, Tilt, 2-17  
Rod, Plastic, 2-55, 2-57  
Rod, Seat, 2-9  
Rod, Threaded, 2-107  
Rod-End,Ball Joint,Male,.50, 3-21  
Roller, 5-21  
Rotating Kit, 4-3

## S

Scr Hesssm 5X0.8 16, 3-17  
Scr Hex M16X2.0 40, 2-89  
Scr Hexss.38-16X1.50, 3-21  
Scr Hexssm 12X1.75 40, 2-101  
Scr Hexssm 5X0.8 12, 2-53, 3-19  
Scr Hexssm 10X1.5 25, 2-7, 2-89, 2-95, 2-99, 2-101, 2-109  
Scr Hexssm 10X1.5 35, 2-75  
Scr Hexssm 5X0.8 25, 2-59  
Scr Hexssm 6X1.0 35, 2-101  
Scr Hexssm 6X1.0 25, 2-7, 3-23  
Scr Hexssm 6X1.0, 2-95, 2-99  
Scr Hexssm 8X1.25 25, 2-41, 3-17  
Scr Hexssm 8X1.25 25, 2-9  
Scr Hexssm 8X1.25 30, 2-89  
Scr Hexssm 8X1.25 35, 2-45, 2-49  
Scr Hexssm 8X1.25 40, 2-45  
Scr Hexssm 8X1.25, 2-5, 2-37, 2-101, 3-17, 3-21  
Scr Hexssm10X1.5 20, 3-21  
Scr Hexssm10X1.5 25, 3-21  
Scr Hexssm10X1.5 30, 2-39  
Scr Soc .50-13X1.50, 2-43  
Scr Soc, 2-43  
Scr-Hex .50 13 X 3.00 Ss, 2-111  
Scr-Hex .75-10x3.25 G5 Pltd, 2-43  
Scr-Hex .75-10x4.00 G5 Pltd, 2-43  
Scr-Hex Ssm10X1.5 70 Full Thd, 2-89  
Scr-Hexss M8X 1.25 20 Nylonloc, 2-9  
Scr-Hexssm 8X1.25 20 Nynloc, 2-37, 2-55, 2-57, 2-59, 3-17  
Scr-Hexssm 8X1.25 25 Nynloc, 2-37  
Scr-Hexssm 8X1.25 25, 2-101  
Scr-Hx .50-13 X 3.00 Full Thd, 2-49  
Scr-Shld .312Dx1.00L .25-20, 2-49  
Screen, 50 Mesh, Ss, 2-117  
Screen, Fltr, 80 Mesh, 2-115, 3-33  
Screen, Pump, Detergent, 3-17  
Screen, Sol Dbl Cylindrical, 3-13  
Screw Cap, 4-10, 4-11, 4-12  
Screw Hex Ssm 10X1.5, 2-105  
Screw Hex Ssm 6 X 1.0 20, 3-19

- Screw Hexssm10X1.5 35, 2-95, 2-99, 2-107
- Screw Panssm 5X0.8 20, 2-11
- Screw, Adjusting, 5-13
- Screw, Cap, 4-3, 4-7, 4-9, 4-15, 4-39
- Screw, Chz, M5 X 0.8 X 60, 4.8, 2-5
- Screw, Flat M10X1.5, 2-99
- Screw, Follow, 5-27
- Screw, Hex Ssm 6 X 1.0 20, 2-53, 2-103, 3-23
- Screw, Hex, .25-20 X 0.75, Ss, 3-3, 3-5
- Screw, Hex, .25-20 X 1.75, 5, 2-49
- Screw, Hex, .31-24 X 0.75, NI, 2-49
- Screw, Hex, .38-16 X 0.75, 5, 2-75
- Screw, Hex, .38-16 X 0.75, NI, 2-93
- Screw, Hex, .38-16 X 1.25, 5, 2-69
- Screw, Hex, .38-16 X 1.25, NI, 2-49
- Screw, Hex, M 6 X 1.0 X 16, 8.8, 2-37
- Screw, Hex, M 8 X 1.25 X 16, 8.8, 2-75
- Screw, Hex, M 8 X 1.25 X 70, 8.8, 2-69
- Screw, Hex, M06 X 1.0 X 25, Ss, 2-91
- Screw, Hex, M08 X 1.25 X 20, 2-33
- Screw, Hex, M08 X 1.25 X 25, 2-33
- Screw, Hex, M10 X 1.25 X 20, 8.8, 2-35
- Screw, Hex, M10 X 1.5 X 40, 8.8, 2-49
- Screw, Hex, M10 X 1.5 X 25, 8.8, 2-39
- Screw, Hex, M12 X 1.75 X 25, 8.8, 2-5
- Screw, Hex, M12 X 1.75 X 30, 8.8, 3-7, 3-9
- Screw, Hex, M4 X 0.7 X 12, 8.8, 2-113
- Screw, Hex, M5 X 0.8 X 20, 8.8, 2-117
- Screw, Hex, M6 X 1.0 X 10, 8.8, 2-37
- Screw, Hex, M6 X 1.0 X 12, Fmg, 2-35
- Screw, Hex, M6 X 1.0 X 16, 8.8, 2-117
- Screw, Hex, M6 X 1.0 X 20, 8.8, NI, 2-11
- Screw, Hex, M6 X 1.0 X 20, 8.8, 2-11, 2-35, 2-39
- Screw, Hex, M6 X 1.0 X 20, Ss, 2-107, 2-115, 3-33
- Screw, Hex, M6 X 1.0 X 25, 8.8, 2-11
- Screw, Hex, M6 X 1.0 X 25, Ss, 2-107
- Screw, Hex, M6 X 1.0 X 30, 8.8, 2-121
- Screw, Hex, M8 X 1.25 X 20, 8.8, 2-5, 2-35, 2-37, 2-49, 2-89, 3-7, 3-9
- Screw, Hex, M8 X 1.25 X 20, Ss, NI, 2-5
- Screw, Hex, M8 X 1.25 X 20, Ss, 2-113
- Screw, Hex, M8 X 1.25 X 25, 8.8, 2-11
- Screw, Hex, M8 X 1.25 X 25, Ss, 2-5, 2-113
- Screw, Hex, M8 X 1.25 X 25, 2-5
- Screw, Pan, M4 X 0.7 X 16, Ss, 3-3, 3-5, 3-7, 3-9
- Screw, Pan, M6 X 1.0 X 35, Ss, 2-3, 2-117
- Screw, Pan, 5-11
- Screw, Set, 5-13, 5-15, 5-28
- Screw, Soc, M6 X 1.0 X 16, 12.9, 2-25
- Screw, With Washer, 5-10, 5-23
- Screw-Hex Ssm 6X1.0, 2-47
- Screw, 4-10, 4-11, 4-12, 4-13, 5-7, 5-23, 5-27
- Screws, 4-3
- Seal Kit, Cart, 4-19, 4-21, 4-23, 4-25, 4-27
- Seal Kit, Coil, 4-19, 4-21, 4-23, 4-25, 4-27
- Seal Kit, Hyd Motor Gear, 4-17
- Seal Kit, Hyd Mtr Gear Bn, 4-16
- Seal Kit, Pump, 4-3, 4-5
- Seal Kit, Rear, 4-7, 4-9
- Seal Kit, Shaft, 4-7, 4-9
- Seal Kit, Stg, 4-15
- Seal Replmt Kit, 4-10, 4-11, 4-12, 4-13
- Seal, Bearing, 2-17
- Seal, Boot, Steering Column, 2-17
- Seal, Bulb, Sd-0168 27.75 Lg, 2-13
- Seal, Bulb, Sd-0168 28.44 Lg, 2-9
- Seal, Bulb, Sd-0168 29.25Lg, 2-15
- Seal, Bulb, Sd-0504 32.50Lg, 2-13
- Seal, Bulb, Sd-0504 68.75Lg, 2-9
- Seal, Bulb, 2-9
- Seal, Drive Grease Cavity, 2-43
- Seal, Heat, 5-23
- Seal, Hose, 2-59
- Seal, O-Ring .064X.30, 2-35
- Seal, Oil, 5-7, 5-9, 5-30
- Seal, Org [Ku] 04811-50300, 5-11
- Seal, Tube, Silicone, 2-57
- Seal, Valve Stem, 5-13
- Seal,Foam Rbr, .75 1.00W 3.5L, 3-19
- Seal-Bulb, Sd-0504 24.50Lg, 2-15
- Seat Belt Kit 7400, 3-38
- Seat Kit, Grammer 7400, 3-39
- Seat, Grammer, 3-39
- Seat, Michigan, 2-9
- Seat, Spring Lower, 5-27
- Seat, Spring Upper, 5-27
- Seat, Valve, 5-7
- Send Unit, Temperature, 2-23, 2-25
- Send-unit, Fltr, Hyd (Option), 2-75
- Send-unit, Fuel [2007], 2-35
- Sending Unit Tc, 2-35
- Shaft S-A, 4-7, 4-9
- Shaft Wldt, Brake, 2-47
- Shaft Wldt, Torque, 2-89
- Shaft, Brush, Idler, 2-97
- Shaft, Cam, Chrome Plated, 2-45
- Shaft, Drive, Pump, Hyd, 4-39
- Shaft, Drive, 4-3
- Shaft, Fork Lever, 5-31
- Shaft, Governor Weight, 5-28
- Shaft, Idle Gear 1, 5-15
- Shaft, Output, 4-10, 4-11, 4-12, 4-13
- Shaft, Pivot, Rh, 2-97
- Shaft, Pivot, 2-93
- Shaft, Pump, 4-29, 4-31, 4-33
- Shaft, Stop Lever, 5-30
- Sheet, Plastic, Backup, 2-55
- Shield, Breather, 5-11
- Shim .020Th 0.88Odx0.506ld, 2-51
- Shim .060Th 0.880Dxo.506ld, 2-51
- Shim, Injection Pump 0.20 mm, 5-25
- Shim, Injection Pump 0.25 mm, 5-25
- Shim, Injection Pump 0.30 mm, 5-25
- Shim, 5-27
- Shock Absorber, 2-49
- Shoe, Plastic-Squeegee 14 In, 3-47
- Skirt, Brush Arm, Rh, 2-2
- Skirt, Brush Arm, 2-91
- Skirt, Center, 2-9
- Skirt, Side Brush, 2-2, 3-23
- Sleeve Gr, 4-35
- Sleeve, .370B .50D .50 Butwcd, 2-37
- Sleeve, .401B 1.00D .38Hrs, 2-45
- Sleeve, .438B 1.00D .67, 2-31
- Sleeve, .88B 1.75D 1.12L, Stl, 2-43
- Sleeve, Bearing .625Od X .515, 2-95, 2-99
- Sleeve, Bearing .62Od, 2-105
- Sleeve, Control, 5-27
- Sleeve, Crankshaft, 5-17
- Sleeve, Governor, 5-28
- Sleeve, Nyl, #37 5.0l, 2-43
- Sleeve, Nylon 16.0L, 3-21, 3-23
- Sleeve, Pivot, Lower, 2-101
- Sleeve,.438B1.00D .49, 2-31
- Sleeve, 4-29, 4-31, 4-33
- Spacer Hub, 3-23
- Spacer Plate, 4-10, 4-11, 4-12, 4-13
- Spacer, .259ld 375Od .250Lg, 2-49
- Spacer, Coil, 4-19, 4-21, 4-23, 4-25, 4-27
- Spacer, Latch, 2-101
- Spacer, 2-45, 4-15
- Spline Coupling, 4-5
- Spring Comp 0.660Dx.09Wire3.5L, 2-111
- Spring Kit, 4-15
- Spring, Brake, Parking, 2-47
- Spring, Brush Retaining, 2-3
- Spring, Brush, 5-21
- Spring, Centering, 2-107
- Spring, Delivery Valve, 5-27
- Spring, EXT, 3-47
- Spring, Governor, 5-31
- Spring, Plunger, 5-27
- Spring, Propel, Centering, 2-49
- Spring, Return, Brakes, 2-45
- Spring, Return, 5-30
- Spring, Rocker Arm, 5-13
- Spring, Start, 5-31
- Spring, Ten,0.75Od.07Wire 3.5L, 2-95, 2-99
- Spring, Tens.50Odx.04Wire 2.5L, 2-11
- Spring, Tension, 2-107
- Spring, Tors 0.75D 1.00L .060W, 2-47
- Spring, Torsion, 2-47
- Spring, Trough Screen, 2-103
- Spring, Valve, 5-13
- Spring-Gas Assy, Engine Cover, 2-15
- Spring, 4-3, 4-7, 4-9, 4-36, 5-7, 5-21
- Sprng,Comp,0.62ldx.06Wire 2.3L, 2-17
- Sprng,Tens,0.38Odx.06Wire 6.0L, 2-91
- Sprng,Tens,0.50Odx.05Wire 1.0L, 2-15
- Squeegee Assy, Rear, 2-109
- Squeegee Assy, S Br Urethane, 3-34
- Squeegee Assy, S Br, 2-2, 3-23
- Squeegee Assy, Side, Lh, 2-95
- Squeegee Assy, Side, Rh, 2-99
- Squeegee Assy, Side, 3-44

## CROSS REFERENCE

Squeegee Kit, Urethane, 3-44  
Squeegee Wand Kit 7400, 3-47  
Squeegee Wldt, 2-109  
Squeegee, Side, 2-2, 2-95, 2-99  
Starter, Diesel, 2-27  
Steer Control, Hyd (See Breakdowns), 2-17  
Steer Control, Hyd#2 06.1 1160, 4-15  
Stem, Valve, 4-19, 4-21, 4-23, 4-25  
Stopper, Camshaft, 5-15  
Stopper, 5-28  
Strainer, Hyd, 25gpm 100mesh Psi, 2-2  
Strainer, Screen, Solution Tank, 2-55  
Strainer, Soltn, 20mesh, Cyl, 4.0d 08.0l, 3-15  
Strainer-Hyd Suction 25-100-03, 2-73  
Strap Cap Retainer, 2-59  
Strap Wldt, Tank.06Tx1.0W 31.9, 2-35  
Strap, Muffler Hanger, 2-33  
Strap, Radiator, 2-37  
Strip Wldt, Front Retainer, 2-109  
Strip Wldt, Rear Retainer, 2-109  
Strip, Non Slip, 2-109  
Stud, .25-28 3.0L .25-28 Znc, 2-23  
Stud, Ball, Gas Spring, 2-15  
Stud, Wheel .50-20 X 1.50, 2-43  
Stud, 5-7, 5-12, 5-13, 5-25, 5-30, 5-32  
Switch Assy, 4-36  
Switch, Hyd Flow Sensor (See Breakdowns), 2-69  
Switch, Hyd Flow Sensor, 4-36  
Switch, Ign [Ku], 2-21  
Switch, Press, 0010psi Spst, 2-117  
Switch, Pressure Oil, 2-23, 2-25  
Switch, Progressive, 2-21  
Switch, Pushmom, Spst100A 12V, 2-21  
Switch, Rocker, 36vdc 05a Dpst On/N/On, 2-121  
Switch, Rocker, 36vdc 05a Progressive, 2-121  
Switch, Roller, 3-19  
Switch, Snap Actn, 250vdc 20a Dpd, 3-11  
Switch, Snap Actn, 250vdc 20a Dpdt, 3-11  
Switch, Snap Actn, 250vdc 25a Spdt, 2-57  
Swivel Control .250-28.25Dia, 2-11

## T

Taillight Assy, 2-5  
Tailpipe, Muffler, 2-33  
Tank, Coolant, 04.7 03.3 4.7deep, 1liter, 2-37  
Tank, Fuel, 11 Gal [7400 2007], 2-35  
Tank, Fuel, 2-35  
Tank, Solution, Lh, 2-55  
Tape, Video, Operator 7400, 3-50  
Tappet, 5-15  
Terminal, Bullet, .156m, 12 Awg, 3-3, 3-5, 3-7, 3-9

Terminal, Ring, .250, 16/14 Awg, 3-3, 3-5, 3-7, 3-9  
Thermostat, 180deg, 1.5d, W/Gasket, 5-32  
Thermostat, 180deg, 1.7d, 5-32  
Throttle Assy, Block, Die, 2-23  
Thrust Bearing, 4-10, 4-11, 4-12, 4-13  
Tie, Cable 1.75D Max 7.50Lg, 3-3, 3-5, 3-7, 3-9  
Tie, Cable 4.00 Max 14.50Lg, 2-51, 3-21  
Tie, Cable, Nyl, 07.3l .19w 1.8 Max D, 2-49  
Tie, Cable, Nyl, 11.4l .19w 3.0 Max D, 2-21  
Timer, 9-41vdc, Recycling, 2-121  
Timer, Backflush, 4-33  
Tire & Wheel Assy, Front, 2-43  
Tire & Wheel Assy, Solid Non MarkingTurf 18X7, 3-43  
Tire & Wheel Assy, Solid Nonmark, 3-42  
Tire & Wheel Assy, Solid Turf 18X7, 3-41  
Tire Assy, Solid, High Traction, 18.0 X 6.0 X 4.5Bc, 3-40  
Tire, 18X5X12.12 Solid, 2-45  
Tire, Solid 18X5X12.12 Nonmark, 3-42  
Tire, Solid 18X7X12.12 Turf, Non Marking, 3-43  
Tire, Solid 18X7X12.12 Turf, 3-41  
Tire, Solid 5.00 X 8 X 3.75, 2-43  
Tray Wldt, Debris, 2-101  
Tray, Battery, 2-41  
Tray, Debris, 2-103  
Tray, Gas Tank, 2-35  
Tread, Floor, 11.6 3.0, 2-9  
Tread, Floor, 14.2 11.7, 2-9  
Tube Assy, Spray, Cyl, 1000mm [7400], 2-115, 3-33  
Tube Wldt, Leg, Ohg, Lh, 3-35  
Tube Wldt, Leg, Ohg, Rh, 3-35  
Tube Wldt, Vacuum, 2-103  
Tube, 0.50d 0.38b 0.6l Ss, 3-21  
Tube, 0.62d 0.41b 0.5l, Ss, Cham, 2-107  
Tube, 0.62d 0.41b 0.6l, Ss, Cham, 2-95, 2-99  
Tube, Air Intake, 2-29  
Tube, Breather, 5-11  
Tube, Exhaust, Diesel, 2-33  
Tube, Fuelline Assy, Dsl, 2-35  
Tube, Fuelline Gas, 2-35  
Tube, Hyd, Jf08, 2-93  
Tube, Pvc, Shc80, Clr, 4.0l, 2-115, 3-33  
Tube, Radiator, Lower, 2-37  
Tube, Radiator, Upper, 2-37  
Tube-Carb, Air Intake, 2-29  
Tubing Connctr.Kit, Pmp, 4-37  
Tubing, Vinyl, 4-29, 4-31, 4-33, 4-35  
Turnbuckle,.50-20Thd,2.2-4.4Lg, 2-45

## V

Valve Assy, Nylon Brush (See Breakdowns), 2-71  
Valve Assy, Nylon Brush, 4-23

Valve Assy, Side Br, Nylon Br (See Breakdowns), 3-25, 3-27  
Valve Assy, Side Br, Nylon Br, 4-25  
Valve Assy, Side Brush (See Breakdowns), 3-25, 3-27  
Valve Assy, Side Brush, 4-21  
Valve Kit, Poppet, 4-37  
Valve Stem 3W2P, 4-19, 4-21, 4-23, 4-25, 4-27  
Valve Stem 4W2P, 4-19, 4-21, 4-23, 4-25  
Valve Stem N.C., 4-19, 4-21, 4-23, 4-25, 4-27  
Valve, Breather, Complt, 5-11  
Valve, Check, 2gpm 2psi Bm04/Bm04, 2-113  
Valve, Check, 2-55, 4-29, 4-31, 4-33, 4-35  
Valve, Delivery, 5-27  
Valve, Dump, 4-3  
Valve, Exhaust, 5-13  
Valve, Hyd Cntrl Sol (See Breakdowns), 2-71  
Valve, Hyd Cntrl Sol, 4-19, 4-27  
Valve, Hyd Contol Sol (See Breakdowns), 3-25, 3-27  
Valve, Inlet, 5-13  
Valve, Relief, 4000 Psi, 4-39  
Valve, Relief, 4-19, 4-21, 4-23, 4-25  
Valve, Solenoid, 12V Dc, 3-11  
Valve, Water, 12vdc, 6.0mm, 04pf, 2-117  
Valve, Water, Sol, 12vdc, 10bm/10bm, 3-33, 4-33  
Valve, Water, Solenoid, 2-53, 3-23  
Valve, 4-7, 4-9

## W

Wand, Metal - 2PC, 3-47  
Washer .400B 1.12D .12Cr Znc, 2-39, 2-51, 2-71, 2-73, 3-25, 3-27  
Washer 1, 5-13  
Washer 2, 5-13  
Washer Fit 10 Ss, 2-49  
Washer Fit .25 Ss, 2-7, 2-53, 2-95, 2-99, 2-103, 3-13, 3-23  
Washer Fit .31 Ss, 2-5, 2-9, 2-37, 2-41, 2-45, 2-49, 2-59, 2-89, 2-101, 3-17, 3-21  
Washer Fit .38 Ss, 2-7, 2-89, 2-91, 2-95, 2-99, 2-101, 2-107, 2-109  
Washer Fit .50 Ss, 2-7, 2-101, 3-21  
Washer Fit .25 Ss, 2-47, 2-101  
Washer Fit .31Ss, 3-17  
Washer Fit .62 Hard, 2-89  
Washer Fit 10 Ss, 2-59, 3-19  
Washer Fit10 Ss, 2-53  
Washer, .400B 1.12D .12Cr Znc, 2-9  
Washer, .656B 1.25D .06, 2-95  
Washer, .250B .88D .06Neoprene, 2-49  
Washer, .400B 1.12D .12Cr Znc, 2-37, 2-57  
Washer, .531B 1.88D .12Hard Zn, 2-27

Washer, .656B 1.25D .06, 2-2, 2-105,  
 2-107, 2-111  
 Washer, .656B 1.25D .06, 2-99  
 Washer, .660B 1.00D .12Rbr, 3-11  
 Washer, .687B 1.19D .06Cr. Cad, 2-107  
 Washer, .812B 1.06D .06Cr., 2-49  
 Washer, .812B 1.06D .06Cr, 2-39  
 Washer, 1.03Lb 1.50D .036 Crs, 3-11  
 Washer, Belleville, .38, 2-75  
 Washer, Flat .38, 2-105  
 Washer, Flat, .31 Fender, 2-33  
 Washer, Flat, .38 Sae, 2-49, 2-69  
 Washer, Flat, #08, 3-3, 3-5, 3-7, 3-9  
 Washer, Flat, #10, 2-117  
 Washer, Flat, #8, Ss, 2-113  
 Washer, Flat, 0.25 Sae, 2-35  
 Washer, Flat, 0.25 Ss, 2-3, 2-37, 2-115,  
 2-117, 2-121, 3-33  
 Washer, Flat, 0.25 Std, 2-35, 2-37, 2-49  
 Washer, Flat, 0.25, Std, 2-11  
 Washer, Flat, 0.31 Sae, 2-49, 2-69  
 Washer, Flat, 0.31 Ss, 2-75, 2-113  
 Washer, Flat, 0.31 Std, 2-5, 2-35, 2-37,  
 2-89, 2-113  
 Washer, Flat, 0.31, Std, 2-11, 2-39  
 Washer, Flat, 0.321b 1.00d .12, Ss, 2-55,  
 2-57  
 Washer, Flat, 0.34b 0.75d .12, Viton,  
 2-117  
 Washer, Flat, 0.38 Sae, 2-5  
 Washer, Flat, 0.38 Std, 2-39, 2-49  
 Washer, Flat, 0.40b 1.12d .12, Ss, 2-57  
 Washer, Flat, 0.40b 1.12d .12, Stl, Pl,  
 2-5  
 Washer, Flat, 0.50 Sae, 2-5, 3-7, 3-9  
 Washer, Flat, 0.56b 1.38d .11, Ss, 2-11,  
 2-101  
 Washer, Flat, Pump, Hyd, 4-39  
 Washer, Flat, ll .25 Hard, 2-111  
 Washer, Flt, .25 Std, 2-91  
 Washer, Flt, .31 Std, 2-91  
 Washer, Flt, .75 Sae, 2-93, 2-97  
 Washer, Lock, Int, .50, 2-49  
 Washer, Plain, 5-13, 5-30, 5-31  
 Washer, Polyethylene, 3-45, 3-46  
 Washer, Pump, Hyd, 4-39  
 Washer, Rubber Gr, 4-29, 4-31  
 Washer, Rubber, 4-35  
 Washer, Spring, 5-7, 5-25, 5-30, 5-32  
 Washer, Thrust, 2-43, 5-28  
 Washer-Belleville .25 Pltd, 2-39  
 Washer-Belleville .31 Pltd, 2-9, 2-13,  
 2-15, 2-51  
 Washer-Flt .25 Fender Pltd, 2-9  
 Washer-Flt .31 Fender Pltd, 2-33, 2-37  
 Washer-Loc Int .31 Ss, 2-75  
 Washer-Loc Int .31 Pltd, 2-9  
 Washer, 2-75, 4-3  
 Wheel Steering 14DiAx36T, 2-17  
 Wheel, 3 Inch Dia., 2-2, 2-111  
 Wheel, Tray, 1.75 Dia, 2-101  
 Wheel, 2-45  
 Wingnut, 3-49

Wire Ass'y-Elect., Ground, 2-27  
 Wire-Ground, Alternator, 2-31  
 Wireharness, Backflush, 4-33

## Y

Yoke Wldt, Lh, 2-45  
 Yoke Wldt, Rh, 2-45





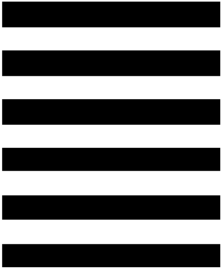




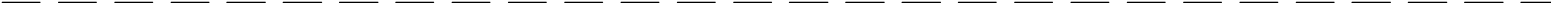
**TENNANT COMPANY**  
 Technical Publications #15  
 701 North Lilac Drive  
 P.O. Box 1452  
 Minneapolis, MN 55440-9947

POSTAGE WILL BE PAID BY ADDRESSEE

**BUSINESS REPLY MAIL**  
 FIRST CLASS MAIL PERMIT NO. 94 MINNEAPOLIS, MN

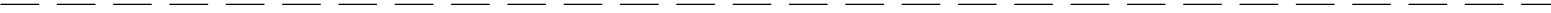


NO POSTAGE  
 NECESSARY  
 IF MAILED  
 IN THE  
 UNITED STATES



Fold along dotted lines

Tape here



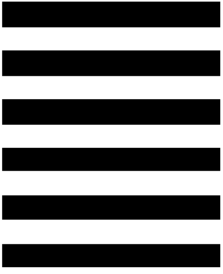




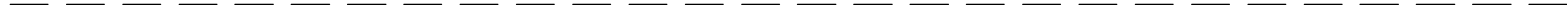
**TENNANT COMPANY**  
 Technical Publications #15  
 701 North Lilac Drive  
 P.O. Box 1452  
 Minneapolis, MN 55440-9947

POSTAGE WILL BE PAID BY ADDRESSEE

**BUSINESS REPLY MAIL**  
 FIRST CLASS MAIL PERMIT NO. 94 MINNEAPOLIS, MN



NO POSTAGE  
 NECESSARY  
 IF MAILED  
 IN THE  
 UNITED STATES



Fold along dotted lines

Tape here

